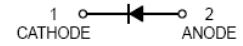


Surface Mount Schottky Barrier Diode



SOD-123

Features:

- Low Forward Voltage Drop
- Guard Ring Construction for Transient Protection
- Fast Switching Time
- Low Reverse Capacitance.
- Surface Mount Package Ideally Suited for Automatic Insertion

Applications:

- Surface mount fast switching Schottky diode

Maximum Ratings:

T_A = 25°C unless otherwise specified

Characteristic	Symbol	Value	Unit
Peak repetitive reverse voltage Working peak reverse voltage DC reverse voltage	V _{RRM} V _{RWM} V _R	70	V
RMS reverse voltage	V _{R(RMS)}	49	V
Forward continuous current	I _F	15	mA
Power dissipation	P _D	250	mW
Thermal resistance junction to ambient air	R _{θJA}	600	°C/W
Operating and storage temperature range	T _J , T _{STG}	-65 to+150	°C

Surface Mount Schottky Barrier Diode



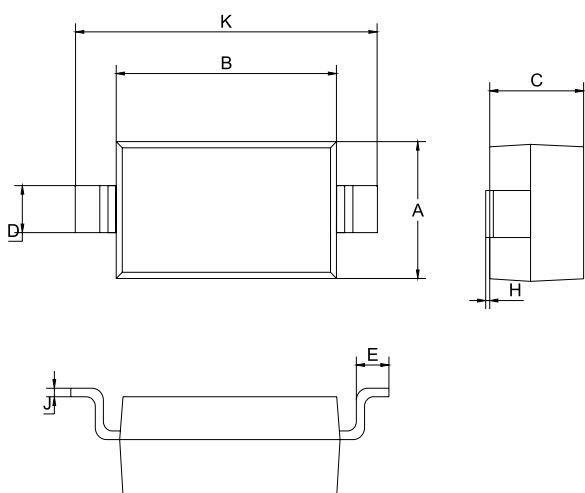
Electrical Characteristics:

T_A = 25°C unless otherwise specified.

Characteristic	Symbol	Min.	Max.	Unit	Test Condition
Reverse breakdown voltage	V _{(BR)R}	70	-	V	I _R =10μA
Forward voltage	V _F	-	0.41 1	V	I _F =1mA I _F =15mA
Reverse current	I _R	-	200	nA	V _R =50V
Capacitance between terminals	C _j	-	2	pF	V _R =0, f=1MHz
Reverse recovery time	t _{rr}	-	1	ns	I _F =I _R =5mA, I _{rr} =0.1 × I _R , R _L =100Ω

Package Outline:

Plastic surface mounted package



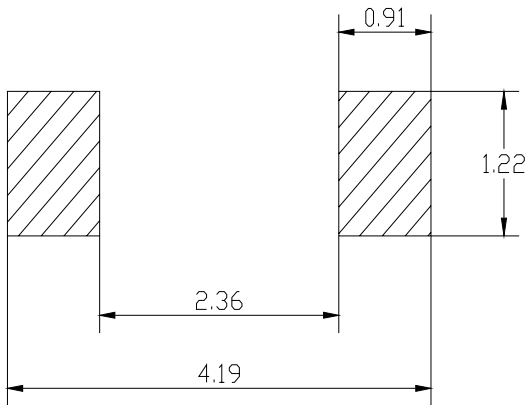
SOD-123		
Dim.	Min.	Max.
A	1.4	1.8
B	2.55	2.85
C	1.15 Typ.	
D	0.5	0.6
E	0.3	0.4
H	0.02	0.1
J	0.1 Typ.	
K	3.55	3.85

Dimensions : Millimetres

Surface Mount Schottky Barrier Diode



Soldering Footprint:



Dimensions : Millimetres

Package Information:

Device	Package	Shipping
1N5711W-7-F	SOD-123	3,000 / Tape & Reel

Part Number Table

Description	Part Number
Surface Mount Schottky Barrier Diode	1N5711W-7-F

Important Notice : This data sheet and its contents (the "Information") belong to the members of the Premier Farnell group of companies (the "Group") or are licensed to it. No licence is granted for the use of it other than for information purposes in connection with the products to which it relates. No licence of any intellectual property rights is granted. The Information is subject to change without notice and replaces all data sheets previously supplied. The Information supplied is believed to be accurate but the Group assumes no responsibility for its accuracy or completeness, any error in or omission from it or for any use made of it. Users of this data sheet should check for themselves the Information and the suitability of the products for their purpose and not make any assumptions based on information included or omitted. Liability for loss or damage resulting from any reliance on the Information or use of it (including liability resulting from negligence or where the Group was aware of the possibility of such loss or damage arising) is excluded. This will not operate to limit or restrict the Group's liability for death or personal injury resulting from its negligence. Multicomp is the registered trademark of the Group. © Premier Farnell plc 2012.

www.element14.com
www.farnell.com
www.newark.com

