



**SCHOTTKY DIODE MODULE TYPES 50A**

**Features**

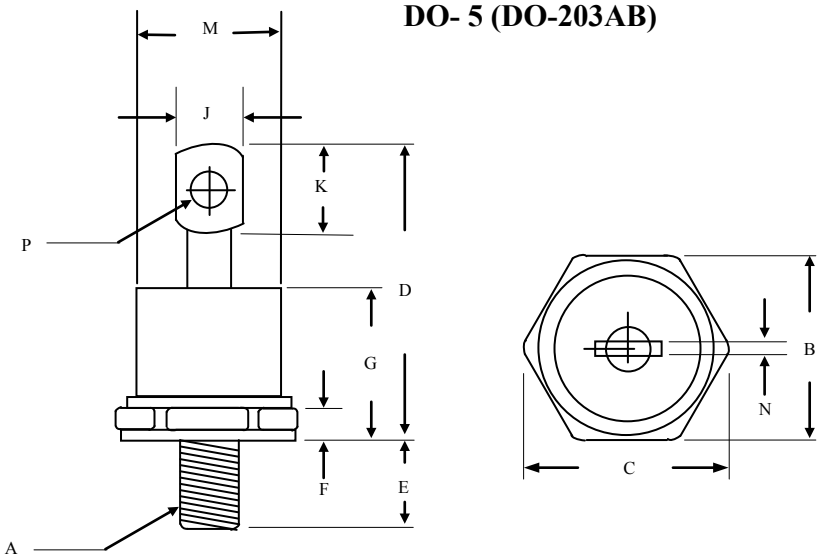
High Surge Capability  
Types Up to 40 V  $V_{RRM}$

**50Amp Rectifier  
30~40 Volts**

**Maximum Ratings**

Operating Temperature:  $-55^{\circ}\text{C}$  to  $+150^{\circ}\text{C}$   
Storage Temperature:  $-55^{\circ}\text{C}$  to  $+150^{\circ}\text{C}$

Part Number	Maximum Recurrent Peak Reverse Voltage	Maximum RMS Voltage	Maximum DC Blocking Voltage
1N6097(R)	30V	21V	30V
1N6098(R)	40V	28V	40V



**DO- 5 (DO-203AB)**

**Notes**

1. Standard Polarity Stud is Cathode
2. Reverse Polarity: Stud is Anode

**Electrical Characteristics @ 25 °C Unless Otherwise Specified**

Average Forward Current (Per pkg)	$I_{F(AV)}$	50A	$T_C=125^{\circ}\text{C}$
Peak Forward Surge Current (Per leg)	$I_{FSM}$	800A	8.3ms, half sine
Maximum Instantaneous Forward Voltage (Per leg)	$V_F$	0.70V	$I_{FM}=50\text{ A}; T_J=25^{\circ}\text{C}$
Maximum Instantaneous Reverse Current At Rated DC Blocking Voltage (Per leg)	$I_R$	1mA 10mA 20mA	$T_J=25^{\circ}\text{C}$ $T_J=100^{\circ}\text{C}$ $T_J=150^{\circ}\text{C}$
Maximum Thermal Resistance Junction To Case (Per leg)	$R_{\theta j c}$	1.30 °C/W	
Mounting torque	Inch pounds (in-pb)	30	

DIM	Inches		Millimeters	
	Min	Max	Min	Max
A	1/4-28 UNF			
B	0.669	0.687	17.19	17.44
C	----	0.794	----	20.16
D	----	1.020	----	25.91
E	0.422	0.453	10.72	11.50
F	0.115	0.200	2.93	5.08
G	----	0.460	----	11.68
J	----	0.280	----	7.00
K	0.236	----	6.00	----
M	----	0.589	----	14.96
N	----	0.063	----	1.60
P	0.140	0.175	3.56	4.45

**NOTE :**

(1) Pulse Test: Pulse Width 300  $\mu$  sec. Duty Cycle < 2%



Figure .1- Typical Forward Characteristic

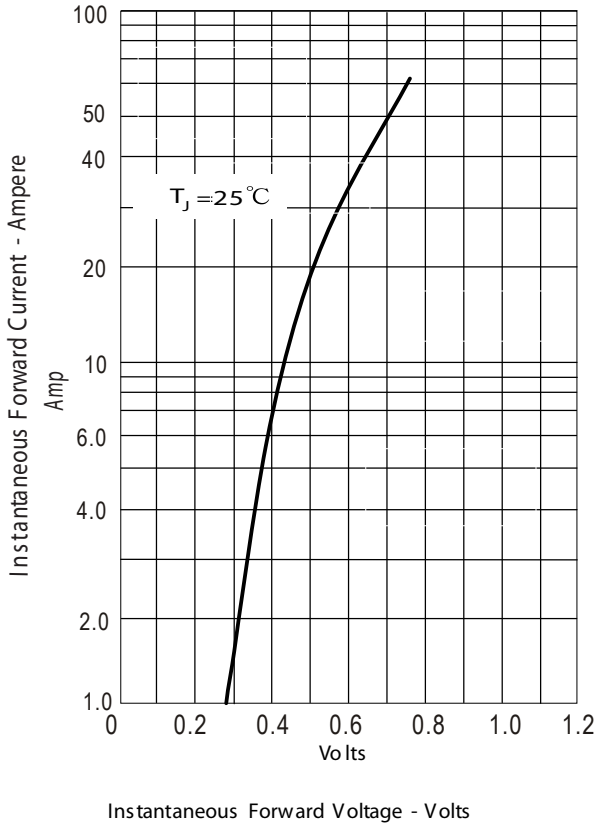


Figure .2- Forward Derating Curve

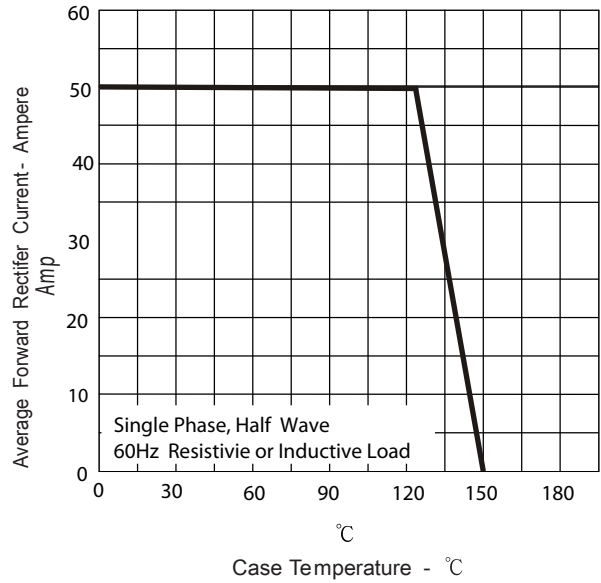


Figure .4- Typical Reverse Characteristics

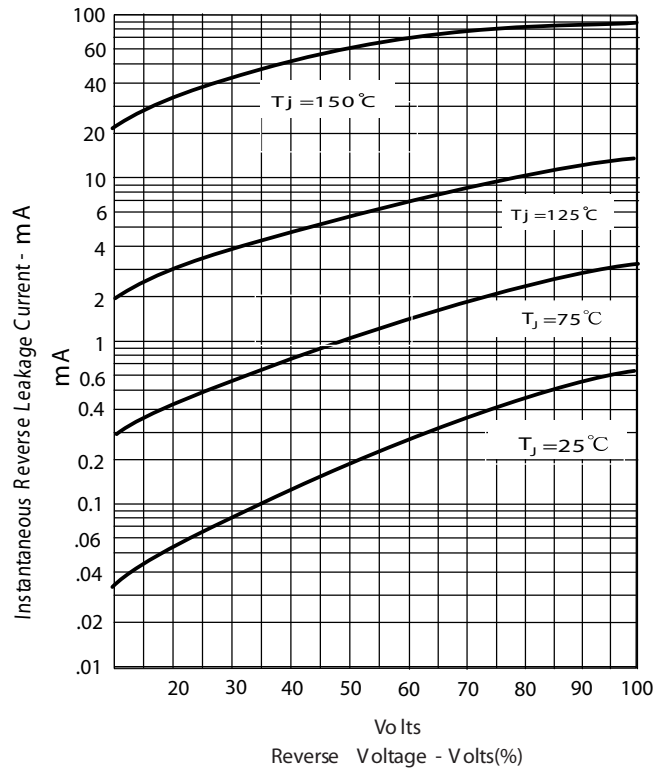


Figure.3-Peak Forward Surge Current

