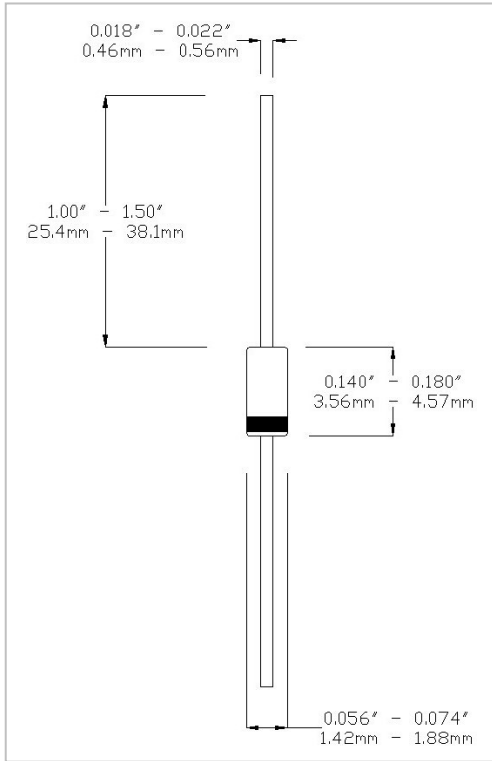


1N649-1

FEATURES

- 1N649-1 AVAILABLE IN JAN, JANTX, AND JANTXV PER MIL-PRF-19500/240
- SILICON RECTIFIER
- METALLURGICALLY BONDED
- HERMETICALLY SEALED
- DOUBLE PLUG CONSTRUCTION



MAXIMUM RATINGS AT 25 °C

| | |
|------------------------------|--------------------------------|
| Operating Temperature: | -65°C to +175°C |
| Storage Temperature: | -65°C to +175°C |
| Surge Current A, sine 8.3mS: | 5.0A |
| Total Power Dissipation: | 500mW |
| Operating Current: | 400mA, T _A = +25°C |
| Operating Current: | 150mA, T _A = +150°C |
| Derating Factor: | 2mA/°C above +25°C |
| Derating Factor: | 6mA/°C above +150°C |
| D.C. Reverse Voltage (VRWM): | 600V |

DC ELECTRICAL CHARACTERISTICS

| Ambient (°C) | V _F | | | I _R | | | |
|--------------|-------------------|-------|-------|----------------|-----------------------|--------|--------|
| | I _F mA | Min V | Max V | Ambient (°C) | V _R V (dc) | Min μA | Max μA |
| 25 | 400 | 0.80 | 1.00 | 25 | 600 | - | 0.050 |
| 150 | 400 | 0.70 | 0.95 | 25 | 720(ac) | - | 50 |
| -55 | 400 | - | 1.20 | 150 | 600 | - | 25 |

DESIGN DATA

Case: Hermetically sealed glass package per MIL-PRF-19500/240 DO-35 outline

Lead Material: Copper clad steel

Lead Finish: Tin/Lead

Thermal Resistance (R_{θJL}): 250°C/W maximum at L=.375"

Thermal Impedance (Z_{θJX}): 35°C/W maximum

Marking: Blue body coat, Black digits.

Polarity: Cathode end is banded.

AC ELECTRICAL CHARACTERISTICS AT 25°C

| | Symbol | Min | Max |
|-----------------------------------|--------|-----|-----|
| Capacitance @ V _R = 4V | pF | - | 20 |



WWW.MICROSEMI.COM

IRELAND - GORT ROAD, ENNIS, CO. CLARE

PHONE: +353 65 6840044

TOLL FREE: +186 62 702434

FAX: +353 65 6822298

U.S.A. DOMESTIC SALES CONTACT

PHONE: (617) 926 0404

TOLL FREE: 1 800 666 2999