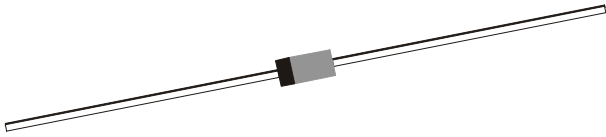


**HIGH SPEED SILICON SWITCHING DIODE**

**IN914, B**

**IN916  
250mW**

**DO- 35  
Glass Axial Package**



**FEATURES**

Intended for General Purpose Application.

**ABSOLUTE MAXIMUM RATINGS (Ta=25°C unless specified otherwise)**

DESCRIPTION	SYMBOL	VALUE	UNIT
Reverses Voltage ( Continuous)	$V_R$	75	V
Repetitive Peak Reverse Voltage	$V_{RRM}$	100	V
Average Forward Current			
$T_A = 25^\circ\text{C}$	$I_{F(AV)}$	75	mA
$T_A = 150^\circ\text{C}$	$I_{F(AV)}$	10	mA
Forward Current (D.C.)	$I_F$	75	mA
Repetitive Peak Forward Current	$I_{FRM}$	225	mA
Non Repetitive Peak Surge Current			
tp=1sec	$I_{FSM}$	500	mA
Power Dissipation	$P_{tot}$	250	mW
Storage Temperature	$T_{stg}$	-65 to +200	°C
Operating ambient Temperature	$T_{amb}$	-65 to +175	°C

**ELECTRICAL CHARACTERISTICS (Ta=25°C unless specified otherwise)**

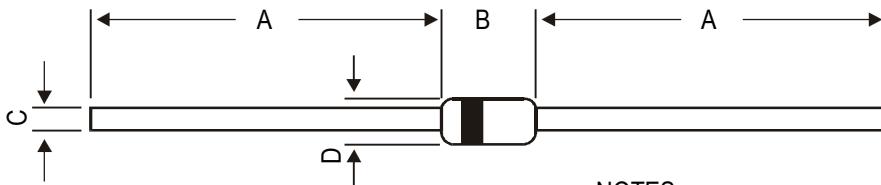
DESCRIPTION	SYMBOL	TEST CONDITION	MIN	TYP	MAX	UNIT
Forward Voltage	$V_F$					
		IN914/916	$I_F=10$		1.0	V
		1N914B	$I_F=100\text{mA},$ $I_F=5\text{mA},$	0.62	0.72	V
Reverse Breakdown Voltage	$V_{(BR)R}$	$I_R=100\mu\text{A}$	100			V
Reverse Current	$I_R$	$V_R=20\text{V}$			25	nA
		$V_R=75\text{V}$ $V_R=20\text{V}, T_j=150^\circ\text{C}$			5	$\mu\text{A}$
Diode Capacitance	$C_d$	$V_R=0, f=1\text{MHz}$			2.5	pF
Reverse Recovery Time	$t_{rr}$	$I_F=10\text{mA}$ to $I_R=10\text{mA}$ $R_L=100\ \Omega$ Measured at $I_R=1\text{mA}$			8	ns
		$I_F=10\text{mA}$ to $I_R=60\text{mA}$ $R_L=100\ \Omega$ Measured at $I_R=1\text{mA}$			4	ns

IN914, B

IN916  
250mW

DO- 35  
Glass Axial Package

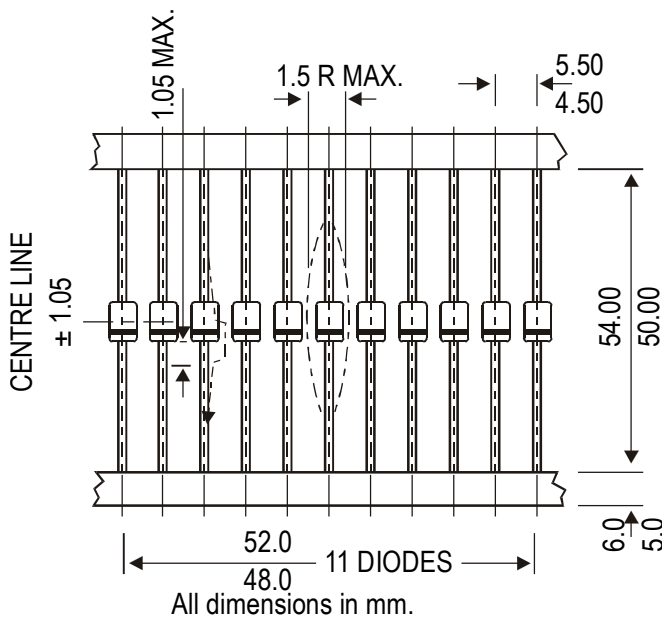
**DO-35 Glass Axial Package**



DIM	MIN	MAX
A	25.40	—
B	3.03	4.44
C	0.46	0.56
D	1.52	2.29

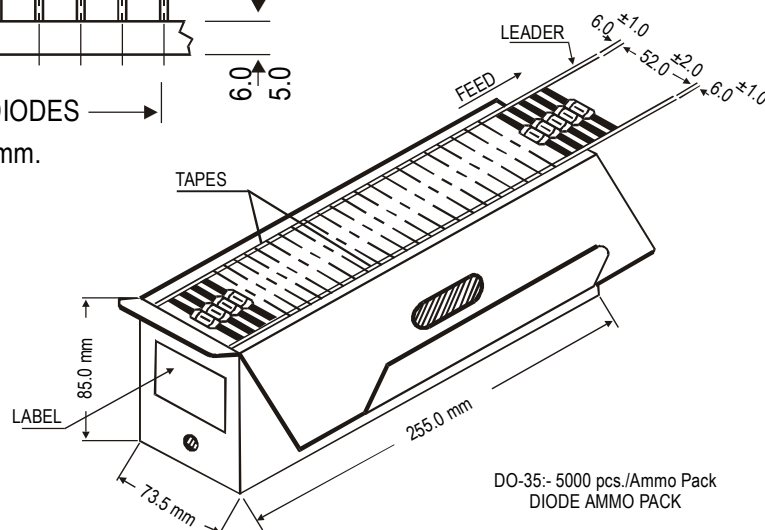
- NOTES  
 1. Cathode is marked by Band.  
 2. All dimensions are in mm.

**DO-35, 52mm Taping Specification**



**52 mm Taping Specification**

1. T & A indicates Axial Tape & Ammo packing (52 mm Tape Spacing).
2. 300 mm (min) leader tape on every spool.
3. No. of empty places allowed 0.25% without consecutive empty places.
4. Ends of leads shall preferably not protrude beyond the tapes.
5. Components shall be held sufficiently in the tape or tapes so that they can not come free in normal handling.



DO-35- 5000 pcs./Ammo Pack  
DIODE AMMO PACK

It is also available in 26 mm Tape and Ammo Pack

**Packing Detail**

PACKAGE	STANDARD PACK		INNER CARTON BOX		OUTER CARTON BOX		
	Details	Net Weight/Qty	Size	Qty	Size	Qty	Gr Wt
DO-35 T&A	5K/ammo box	0.88 kg/5K pcs	10" x 3.5" x 3.5"	5K	12.7" x 12.7" x 20"	125K	25 kgs