

Technical Data

DIODE



maximum ratings

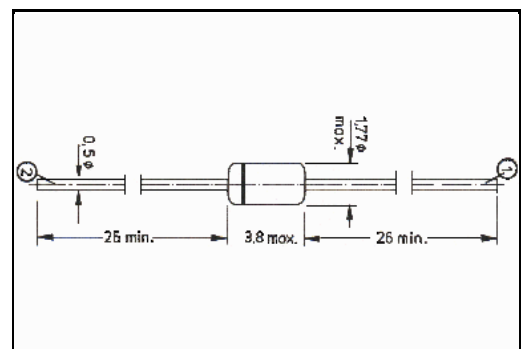
Voltage, Reverse (VZ)	9.0	V	NO.	1N935B-M
Voltage, Reverse Peak (VRM)		V	TYPE	TC-ZENER
Current at VR = 0V (IO)		A		
Current Average Rectified (IF)		A		
Current Surge Peak (IFM)		A	CASE	DO-35
Current, Surge (IFM) at tp =		A		MIL-S-19500
Max. Power Dissipation (PT) at TA = 50 °C	0.5	W		BURN-IN 48h/125°C
Max. Thermal Resistance (Rth J-A)	300.0	°C/W		
Max. Junction Temperature (TJ)	200.0	°C		

PERFORMANCE CHARACTERISTICS at T_c = 25°C, unless otherwise noted

NO.	SYMBOL	CONDITIONS	MIN.	MAX.	UNITS
1.	VZ	I _Z = 7.5 mA	8.55	9.45	V
2.	RZ	I _Z = 7.5 mA	-	20.0	Ω
3.	Δ VZT	-55.0 to + 150.0°C	-	184.0	mV
4.	TC	-55.0 to + 150.0°C	-	0.01	%/°C
5.					
6.					
7.					
8.					
9.					
10.					
11.					
12.					
13.					
14.					
15.					
16.					
17.					
18.					
19.					
20.					

Notes

DIMENSIONS
in mm



Marking 935B + GREEN DOT
Customer GENERAL PURPOSE