

**10BASE-T LOW PASS FILTER**

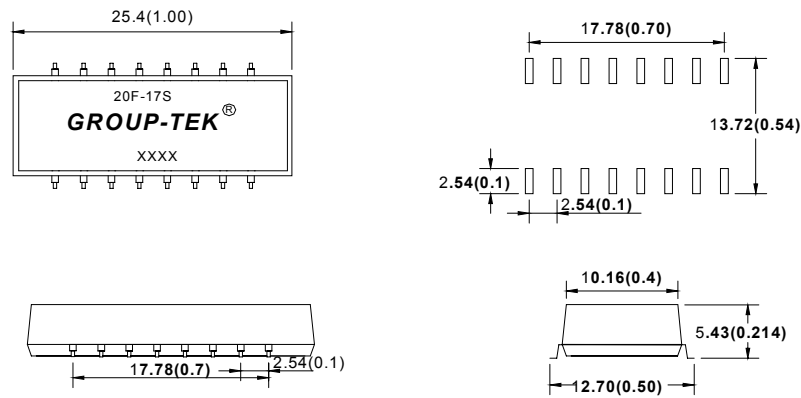


**FEATURES**

- Meet IEEE802.3i 1993 specifications
- Low profile surface mount package
- Enhanced transmit side design for FCC/VDE class B System emissions requirement.
- 235°C peak infrared reflow temperature rating.

Electrical Specifications @25°C---Operating Temperature 0°C~70°C								
Part No.	Insertion Loss (dB MAX) 1-10 MHz	Attunation (dB MIN)				Return Loss (dB MIN)	Crosstalk (dB MIN)	Hi-pot (Vrms MIN)
		20MHz TX/RX	25MHz TX/RX	35MHz TX/RX	40MHz TX/RX			
20F-17S	1.0	7/6	19/14	32/20	35/31	15	30	1500

**Dimension:** mm(inch)+/-0.25(0.01)



**Schematic**

