

10BASE MODUES

10BASE DUAL PORT THROUGH HOLE TRANSFORMERS



FEATURES

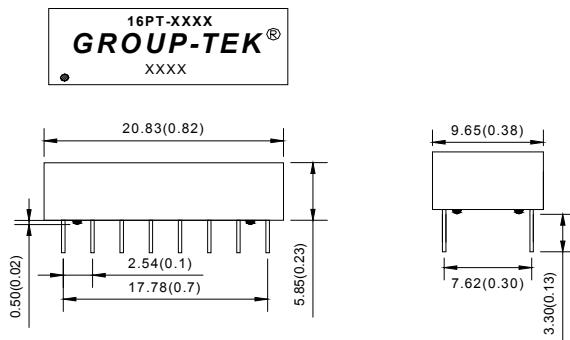
- Designed to meet IEEE 802.3 requirements.
- Designed for multiport repeater & switching ethernet hub applications.

Electrical Specifications @25°C---Operating Temperature 0°C~70°C

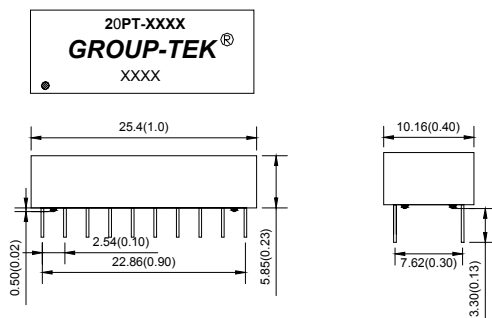
Part NO.	Pri.OCL uH min.	Leakage Inductance LL uH max	Turn Ratio TX,RX	Cww pF.max	DCR ohm max	Isolations Vrms	Package	Schematic
16PT-1400	140	0.60	1:1,1:1	17	0.50	600	a	A
16PT-1602	160	0.60	1:1,1:1	17	0.50	600	a	A
20PT-1802A	180	0.60	1CT:1,1CT:1	17	0.50	1000	b	B
20PT-1802	180	0.60	1CT:1,1CT:1	17	0.50	1500	b	C

Dimension: mm(inch)+/-0.25(0.01)

a



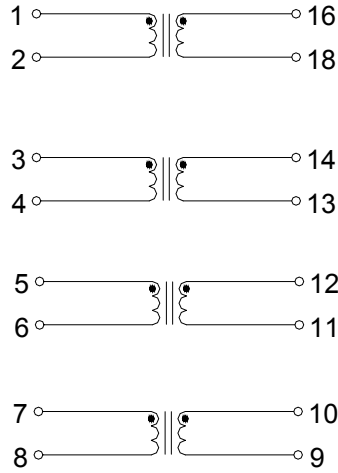
b



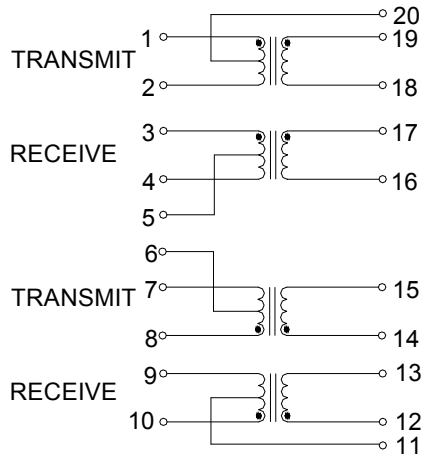
10BASE DUAL PORT THROUGH HOLE TRANSFORMERS

Schematic

A



B



C

