



Chunghwa Picture Tubes, Ltd.

Technical Specification

To : **AMCOM**
Date : 2008.12.03

CPT TFT-LCD
CLAA 216WA01

ACCEPTED BY :

APPROVED BY	CHECKED BY	PREPARED BY
康豐鑫	溫文良	Product Planning Management General Division

Prepared by: Design General Division

CHUNGHWA PICTUER TUBES, LTD.

No. 1, Huaying Rd., Sanho Tsun, Lungtan Shiang, Taoyuan, Taiwan, 325, R.O.C.

TEL: +886-3-4805678 FAX: +886-3-4800589

Doc. No:	CLAA216WA01-AMCOM-SPEC-20081203	Issue Date:	2008/12/03
----------	---------------------------------	-------------	------------

Title : CLAA216WA01**Technical Specification****1. OVERVIEW**

CLAA216WA01 is 21.6" color TFT-LCD (Thin Film Transistor Liquid Crystal Display) module composed of LCD panel, driver ICs, control circuit and backlight. By applying 8 bit digital data, 1366×768, 16.7M-color images are displayed on the 21.6" diagonal screen. Input power voltage is 5.0V for LCD driving. Inverter for backlight is not included in this module. General specification is summarized in the following table:

ITEM	SPECIFICATION
Display Area(mm)	477.417 (H) × 268.416(V) (21.56-inch diagonal)
Number of Pixels	1366 (H) × 768(V)
Pixel Pitch(mm)	0.1165 (H) × 0.1165 (V)
Color Pixel Arrangement	RGB vertical stripe
Display Mode	Normally white, TN
Number of Colors	16.7M(6bits+Hi-FRC)
Brightness(cd/m ²)	350cd/m ² (Typ.)(center, 7.5mA)
Viewing Angle(H/V)	170/160 (Typ.)
Surface Treatment	Anti-glare, 3H
Power consumption(W)	28.4(Typ.) (w/o Inverter)
Module Size(mm)	501(H)x297(V)x17.3(D) (Typ.)
Module Weight(g)	2600 (Typ.)
Backlight Unit	CCFL, 4 tubes(top × 2/bottom × 2) , Edge light

Title : CLAA216WA01**Technical Specification****2. ABSOLUTE MAXIMUM RATINGS**

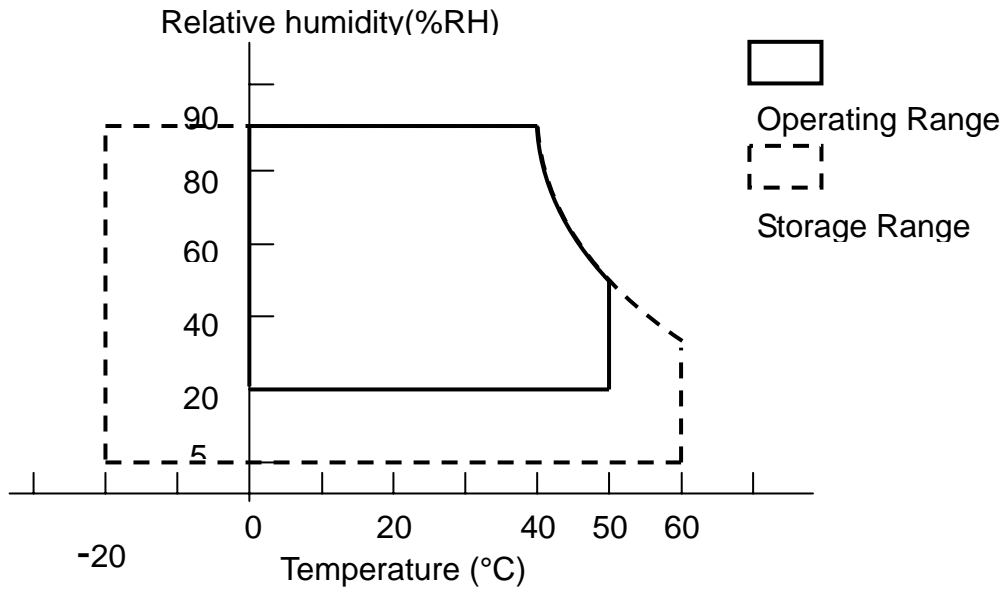
ITEM	SYMBOL	MIN.	MAX.	UNIT	REMARK
Power Supply Voltage for LCD	VCC	0	6	V	
Lamp Voltage	Delta	VL	780	Vrms	
	STI	VL	760		
Lamp Current	Delta	ILO	3	mArms	
	STI	ILO	3		
Lamp Frequency	FL	40	80	kHz	
static electricity	VESDt	-200	200	V	*5)
	VESDc	-8000	8000	V	
Operation Temperature	Top	0	50	°C	*1). 2). 3). 6)
Storage Temperature	Tstg	-20	60	°C	*1). 2). 3)
Delayed Discharge Time	TD	--	1	sec	*8)

[Note]

- 1). The relative temperature and humidity range are as below sketch, 90%RHMax. ($T_a \leq 40^\circ\text{C}$).
- 2). The maximum wet bulb temperature $\leq 39^\circ\text{C}$ ($T_a > 40^\circ\text{C}$) and without dewing.
- 3). If you use the product in an environment which over the definition of temperature and humidity too long to effect the result of eye-etching.
- 4). The life time of the lamp is related to the current of the lamp, so please according to the description of the "(b) backlight" on page 7.
- 5). Test Condition: IEC 1000-4-2 VESDt: Contact discharge to input connector; VESDc: Contact discharge to module
- 6). If you operate the product in normal temperature range, the center surface of panel should be under 50°C .
- 7). When lamp current is out of the absolute maximum range, the life will fall rapidly or shown unusual sign.
IL min 2mA only for test only, but we can't guarantee the lifetime and performance.
- 8). Delay lighting testing needs the volt above start voltage Vrms. Before the procedure tube needs typical lighting for 1 minute and stay in the temperature $25 \pm 2^\circ\text{C}$ for 24 hours and then testing in the same condition in dark room.

Title : CLAA216WA01

Technical Specification



3. ELECTRICAL CHARACTERISTICS

(1).TFT-LCD

Ta=25°C

ITEM		SYMBOL	MIN	TYP	MAX	UNIT	REMARK
Power Supply Voltage for LCD		VCC	4.5	5.0	5.5	V	*1)
Power Supply Current for LCD		ICC	--	500	1000	mA	*2)
Permissive Ripple Voltage for Logic		VRP	--	--	100	mVp-p	VCC=5.0V
Differential Resistance		Zm	90	100	110	Ω	
LVDS: IN+ , IN-	The same motion input Voltage	VCM	1.125	1.25	1.375	V	*3)
	Differential input Voltage	VID	250	350	450	mV	
	High electric potential threshold voltage	VTH	-	-	100	mV	
	Low electric potential threshold voltage	VTL	-100	-	-	mV	
LCD Irush Current		Irush	-	-	4	A	*4)
Power consumption		P	-	5	7.5	W	*2)

Title : CLAA216WA01

Technical Specification

[Note]

*1)Power 、 data sequence

$0.5\text{ms} < t1 < 10\text{ms}$

$0 < t2 < 50\text{ms}$

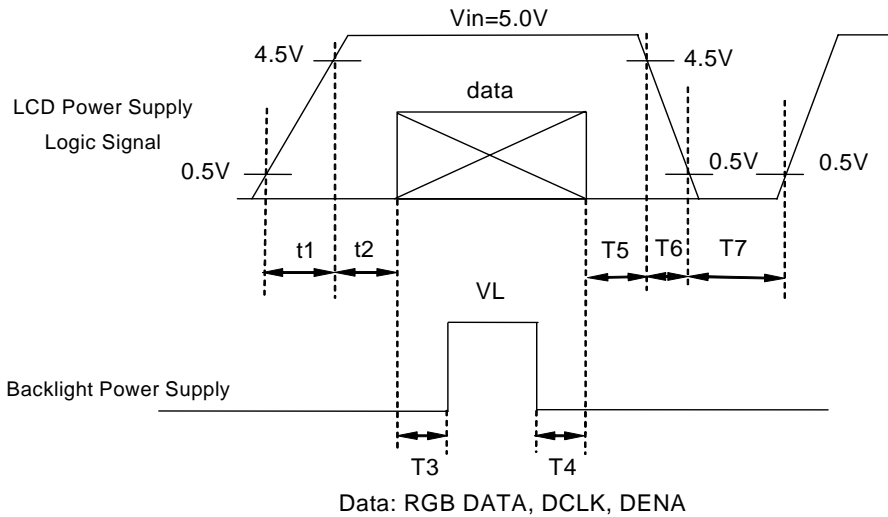
$t3 > 250\text{ms}$

$t4 > 200\text{ms}$

$0 < t5 < 50\text{ms}$

$0.01\text{ms} < t6 < 10\text{ms}$

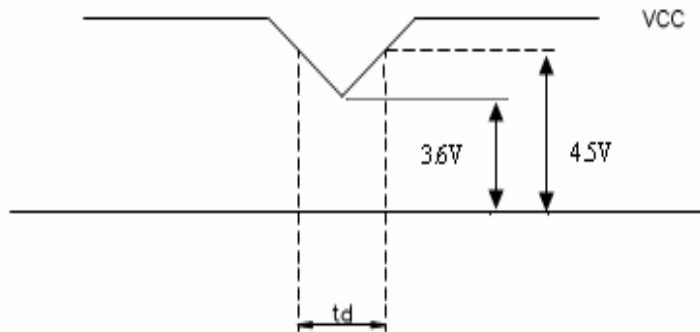
$t7 > 1\text{sec}$



VCC-dip conditions:

(1) When $3.6\text{V} \leq V_{cc}(\text{min}) < 4.5\text{V}$: $t_d \leq 10\text{ms}$

(2) When $V_{cc} < 3.6\text{V}$, VCC-dip conditions should also follow the VCC-turn-on conditions.

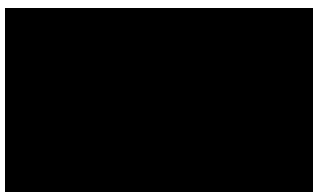


*2).The specified power supply current is under condition at $V_{CC}=5\text{V}$, $T_a=25\pm 2^\circ\text{C}$, $f_v=60\text{Hz}$, whereas a power dissipation check pattern is displayed.

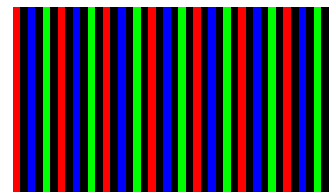
a. White pattern



b. Black pattern



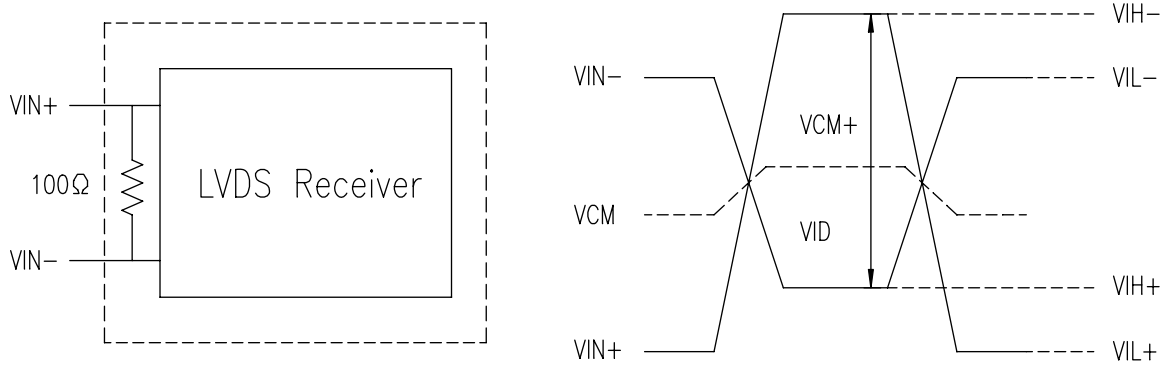
c. RGB Stripe pattern



Title : CLAA216WA01

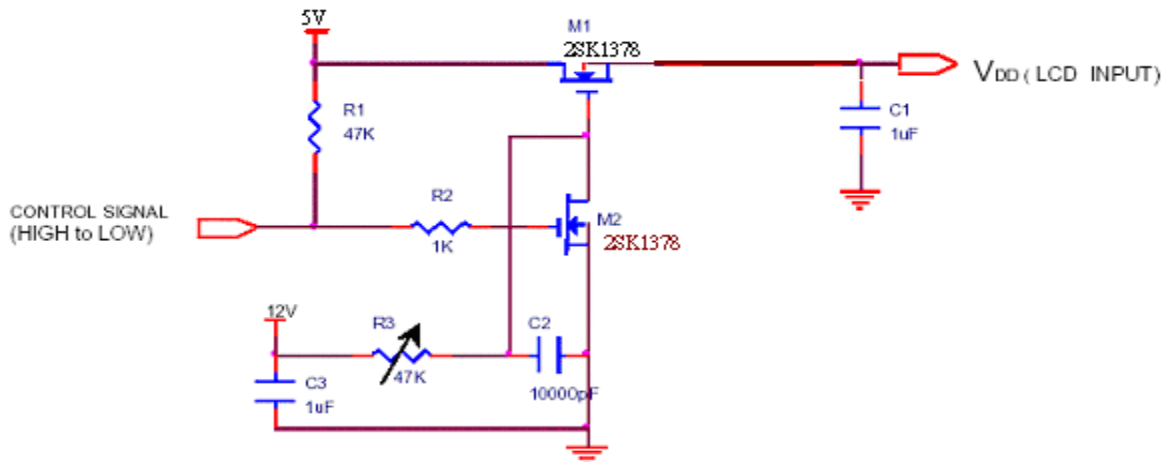
Technical Specification

*3)LVDS signal definition



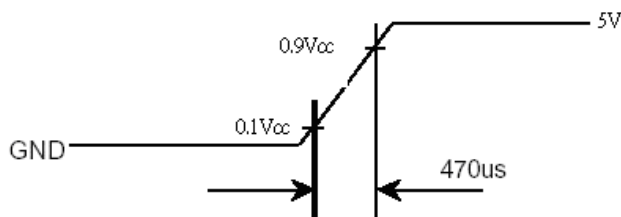
$$\begin{aligned}
 &VID = VIN_+ - VIN_- , && VIN_+ : \text{Positive Polarity differential DATA \& CLK input} \\
 &\Delta VCM = | VCM_+ - VCM_- | , && VIN_- : \text{Negative Polarity differential DATA \& CLK input} \\
 &\Delta VID = | VID_+ - VID_- | , \\
 &VID_+ = | VIH_+ - VIH_- | , \\
 &VID_- = | VIL_+ - VIL_- | , \\
 &VCM = (VIN_+ + VIN_-) / 2 , \\
 &VCM_+ = (VIH_+ + VIH_-) / 2 , \\
 &VCM_- = (VIL_+ + VIL_-) / 2
 \end{aligned}$$

*4).Irush Measurement Condition



Title : CLAA216WA01

Technical Specification



(2).Backlight

1. Electrical specification

ITEM	SYMBOL	MIN	TYP	MAX	UNIT	REMARK	
B/L Voltage	Delta	VL	738	820	902	Vrms	IL=7.5mA Ta=25°C
	STI	VL	702	780	858	Vrms	
B/L Current	IL	7.0	7.5	8.0	mArms	*1) Ta=25°C	
B/L operating current	ILO	3	7.5	8.0	mArms	*1) Ta=25°C	
B/L power consumption	WL	—	23.4	26.6	W	IL=7.5mA Ta=25°C	
Inverter Frequency	FI	40	50	60	kHz	*2) Ta=25°C	
Starting Lamp Voltage	Delta	VS	—	—	1770	Vrms	Ta=0°C
			—	—	1530	Vrms	Ta=25°C
	STI	VS	—	—	1600	Vrms	Ta=0°C
			—	—	1400	Vrms	Ta=25°C

2. Lamp life time

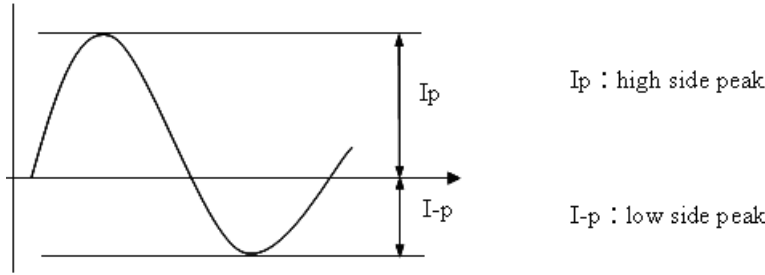
ITEM	ILO at 3.0 mA	ILO at 7.5 mA	ILO at 8.0 mA	UNIT	REMARK
	Delta	Min. 50,000	Min. 50,000	Min. 35,000	Hr
	STI	Min. 50,000	Min. 50,000	Min. 35,000	
Rated time (turn on/off)	—	Min.100,000	—	time	*4)

[Note] Inverter vendor: Sumida, model: TWS-400-9656

- 1) If the waveform of light up-driving is asymmetric, the distribution of mercury inside the lamp tube will become unequally or will deplete the Ar gas in it. Then it may cause the abnormal phenomenon of lighting-up. Therefore, designers have to try their best to fulfill the conditions under the inverter designing-stage as below:

Title : CLAA216WA01

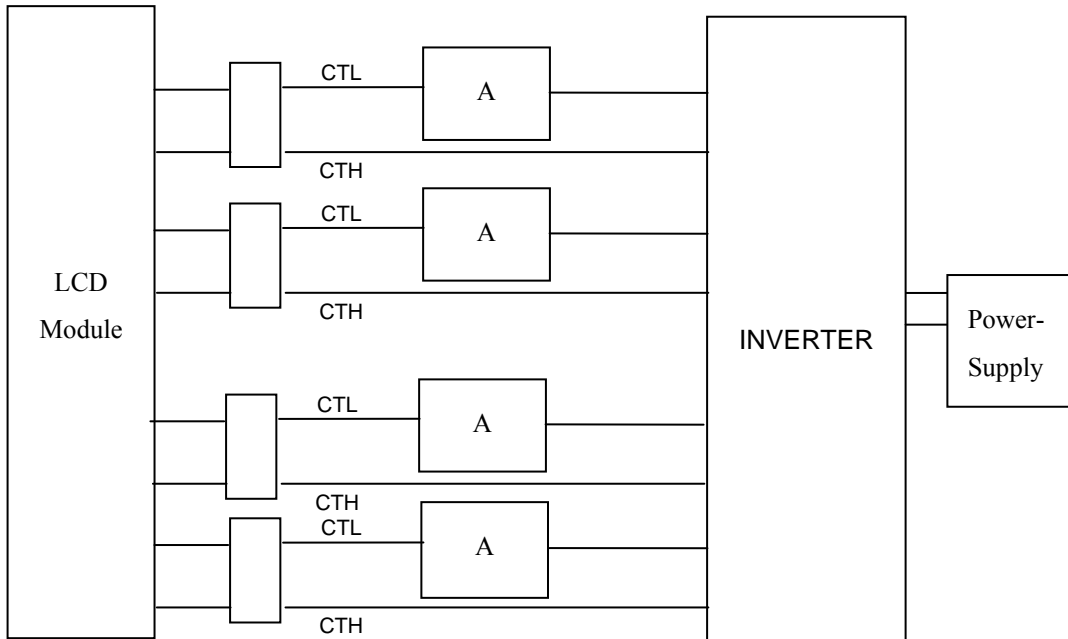
Technical Specification



- A : The degrees of unbalance = $| I_p - I_{-p} | / I_{rms} \times 100(\%)$, & $| I_p - I_{-p} | / I_{cycle\ rms} \times 100(\%)$,
- B : The ratio of wave height = $I_p(\text{ or } I_{-p}) / I_{rms}$, & $I_p(\text{ or } I_{-p}) / I_{cycle\ rms}$,
- A : The degrees of unbalance : $< 10\%$
- B : The ratio of wave height : $< \sqrt{2} \pm 10\%$

- 2) The lamp working current (I_{cyc}) of any waveform of light up-driving can not over the maximum of lamp typical current.(I_{cyc} : Cycle RMS of oscilloscope)
 - *The property of single lamp
 - *Measure system: connector current meter with low voltage end

3) Lamp Current measurement method (The current meter is inserted in cold line)



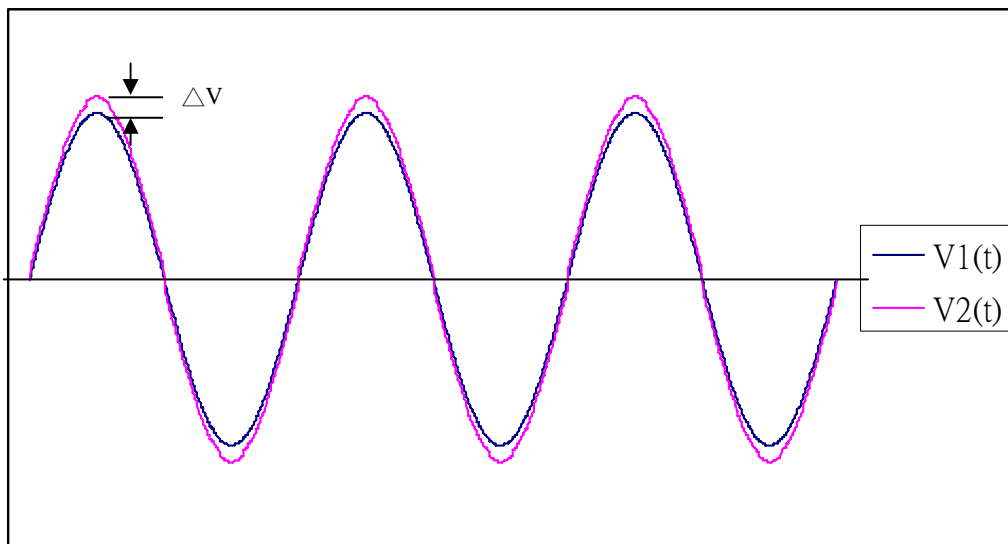
- 4) a. Frequency in this range can make the characteristics of electric and optics maintain in +/- 10% except color coordinates.
- b. Frequency in 50~60kHz can make characteristics of electric and optics better.
- c. Frequency in 45~80kHz won't damage the lifetime and reliability of lamp.
- d. Lamp frequency of inverter may produce interference with horizontal(or vertical) synchronous frequency,and this may cause horizontal beat on the display.Therefore, please adjust lamp frequency, and keep inverter as far from module as possible or use electronic shielding between

Title : CLAA216WA01 Technical Specification

inverter and module to avoid the interference.

- 5) Definition of the lamp life time :
 - a. Luminance (L) under 50% of specification.
 - b. Starting Lamp Voltage: over130% of the initial value. Ta=25°C
- 6) The condition of Turn-on and Turn-off operation is as below:
 - a. Lamp current is 7.5mA
 - b. Frequency is 10 sec.(on)/10 sec.(off)
 - c. Repeat it for 100 thousand times
 - d. The lamp hue variation must smaller than 0.03
 - e. It should not have motion fail when starting lamp voltage is lower than 130%of the initial value.
- 7) For keeping good lighting situation, when design the inverter, it must be considered that the voltage large than starting lamp voltage.
- 8) $WL=IL \times VL \times 4$ (IL=7.5mA , Ta=25°C)
- 9) The Starting Lamp Voltage (VS) of inverter must be driven large than one second.
- 10) The output voltage of inverter (Vn) must be the same phase of between any lamps.
- 11) The difference in voltage between any lamps (ΔV) must be smaller than 300V at the same time.
 Example : $|\Delta V| < 300V$, $\Delta V : = V1(t)-V2(t)$

12) $\frac{|V_{nrms} - VL|}{VL} \leq 15\%$, n=1 , 2... 4 , n : the number of lamp



- 13) The lamp working current (Icyc) of any cycle of lighting driving wave can't exceed maximum of lamp standard working current (IL). Therefore, the inverter design should be avoided the state.

Title : CLAA216WA01**Technical Specification**

Note :

1. VL : The lamp voltage(typical) of the standard working current.
2. The lamp working current (Icyc) is defined the RMS of current cycle from the oscilloscope.

4. INTERFACE PIN CONNECTION(1) CN1 Outlet connector: **FI-XB30SSRL-HF16 (JAE) or compatible**

PIN NO.	REMARK	FUNCTION
1	N.C.	No Connection
2	N.C.	No Connection
3	N.C.	No Connection
4	GND	Ground
5	Rx0-	Data0-
6	Rx0+	Data0+
7	GND	Ground
8	Rx1-	Data1-
9	Rx1+	Data1+
10	GND	Ground
11	Rx2-	Data2-
12	Rx2+	Data2+
13	GND	Ground
14	RxCLK-	Clock-
15	RxCLK+	Clock+
16	GND	Ground
17	Rx3-	Data3-
18	Rx3+	Data3+
19	GND	Ground
20	N.C.	NC
21	LVDS Option*	Select LVDS data format *3)
22	NC	No Connection
23	GND	Ground
24	GND	Ground
25	GND	Ground
26	Vcc	Power supply input voltage(5.0 V)
27	Vcc	Power supply input voltage(5.0 V)
28	Vcc	Power supply input voltage(5.0 V)
29	Vcc	Power supply input voltage(5.0 V)
30	Vcc	Power supply input voltage(5.0 V)

*1) Keep the NC Pin and don't connect it to GND or other signals.

*2) GND Pin must connect to the ground, don't let it be a vacant pin.

Title : CLAA216WA01 Technical Specification

*3)

LVDS OPTION PIN 21(DMS)	
DMS(Pin 21)	LVDS format
H/NC	VESA Data format
L	JEIDA

(2) CN2, 3, 4, 5 (BACKLIGHT)

CN2、CN3、CN4、CN5 : BHSR-02VS-1 (JST)

<Mating connector: SM02B-BHSS-1-TB (JST)>

No.	Pin	Symbol	Description
CN2	1	HV	High Voltage Output for CCFL Lamp 1
	2	LV	Low Voltage Output for CCFL Lamp 1
CN3	1	HV	High Voltage Output for CCFL Lamp 2
	2	LV	Low Voltage Output for CCFL Lamp 2
CN4	1	HV	High Voltage Output for CCFL Lamp 3
	2	LV	Low Voltage Output for CCFL Lamp 3
CN5	1	HV	High Voltage Output for CCFL Lamp 4
	2	LV	Low Voltage Output for CCFL Lamp 4

Title : CLAA216WA01

Technical Specification

5. INTERFACE TIMING

(1) Timing Characteristic

ITEM		SYMBOL	MIN.	TYP.	MAX.	UNIT		
LCD Timing	DCLK	Freq.	f_{CLK}	60	76	82	MHz	
		Cycle	t_{CLK}	16.7	13.2	12.2	ns	
	DENA	Horizontal	Horizontal effective time	t_{HA}	1366	1366	1366	t_{CLK}
			Horizontal blank time	t_{HB}	76	194	570	t_{CLK}
			Horizontal total time	t_H	1442	1560	1936	t_{CLK}
	DENA	Vertical	Vertical frame Rate	Fr	57	60	63	Hz
			Vertical total time	t_V	778	806	888	t_H
			Vertical effective time	t_{VA}	768	768	768	t_H
			Vertical blank time	t_{VB}	10	38	120	t_H

[Note]

- *1) DENA (data enable) usually is positive
- *2) DCLK still inputs during blanking
- *3) LVDS transmitter IC: NT71679-00024(NVT)
- *4) DE mode only
- *5) It maybe cause flicker at 50Hz.

Title : CLAA216WA01 Technical Specification

(2) LVDS Interface : LVDS Receiver : Tcon (LVDS Rx merged)

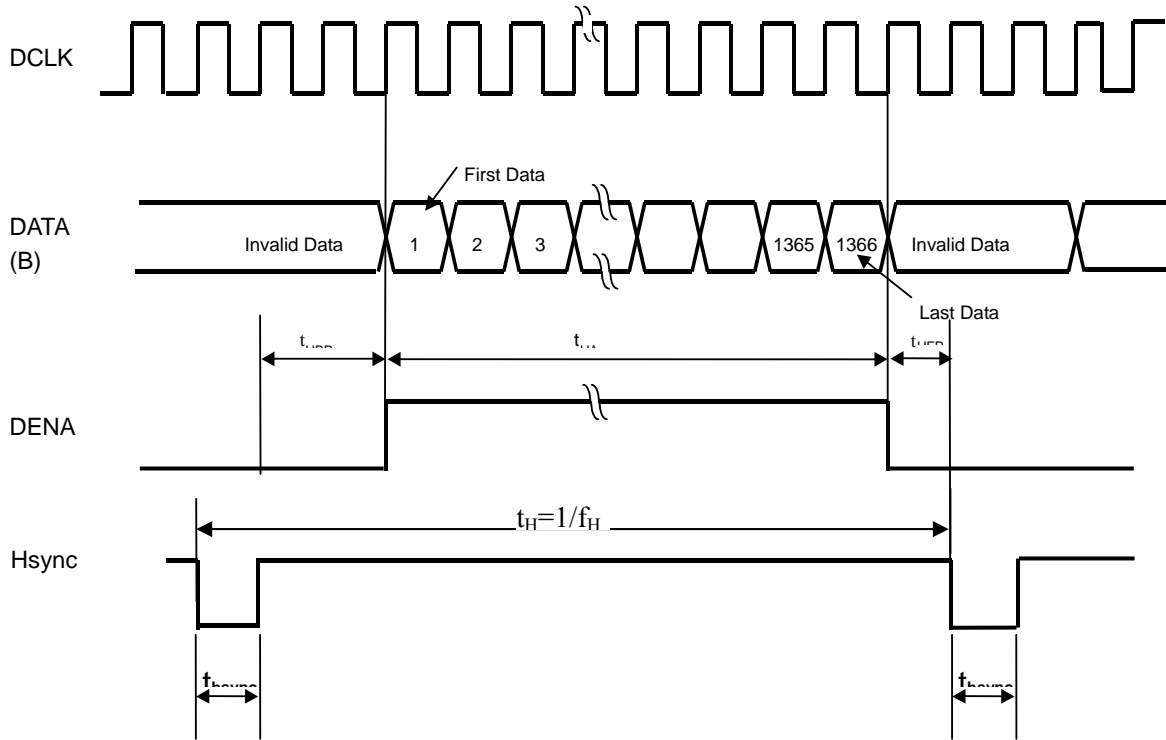
	LVDS pin	JEIDA-DATA	Non-JEIDA-DATA
TxOUT/RxIN0	TxIN/RxOUT0	R2	R0
	TxIN/RxOUT1	R3	R1
	TxIN/RxOUT2	R4	R2
	TxIN/RxOUT3	R5	R3
	TxIN/RxOUT4	R6	R4
	TxIN/RxOUT6	R7	R5
	TxIN/RxOUT7	G2	G0
TxOUT/RxIN1	TxIN/RxOUT8	G3	G1
	TxIN/RxOUT9	G4	G2
	TxIN/RxOUT12	G5	G3
	TxIN/RxOUT13	G6	G4
	TxIN/RxOUT14	G7	G5
	TxIN/RxOUT15	B2	B0
	TxIN/RxOUT18	B3	B1
TxOUT/RxIN2	TxIN/RxOUT19	B4	B2
	TxIN/RxOUT20	B5	B3
	TxIN/RxOUT21	B6	B4
	TxIN/RxOUT22	B7	B5
	TxIN/RxOUT24	Hsync	Hsync
	TxIN/RxOUT25	Vsync	Vsync
	TxIN/RxOUT26	DENA	DENA
TxOUT/RxIN3	TxIN/RxOUT27	R0	R6
	TxIN/RxOUT5	R1	R7
	TxIN/RxOUT10	G0	G6
	TxIN/RxOUT11	G1	G7
	TxIN/RxOUT16	B0	B6
	TxIN/RxOUT17	B1	B7
	TxIN/RxOUT23	Reserved	Reserved

(3). Timing Chart

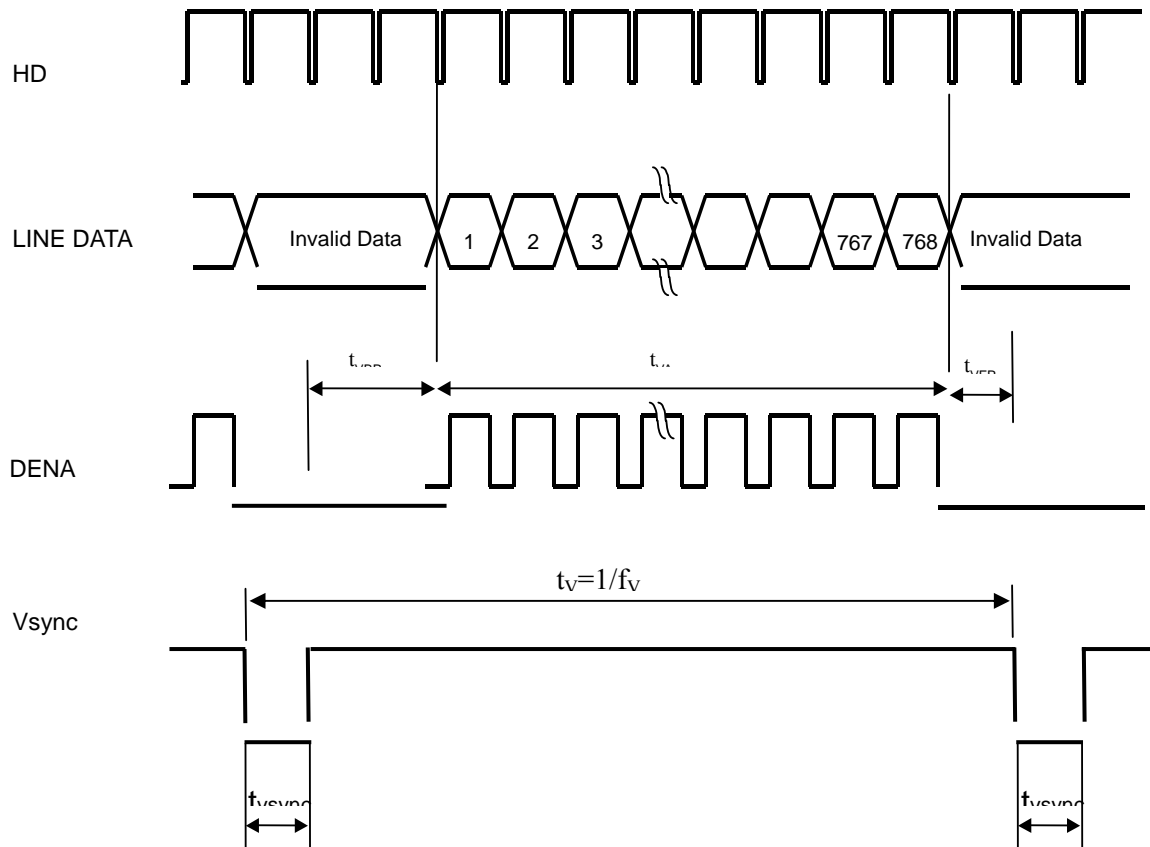
a. Horizontal Timing

Title : **CLAA216WA01**

Technical Specification



b. Vertical Timing Chart

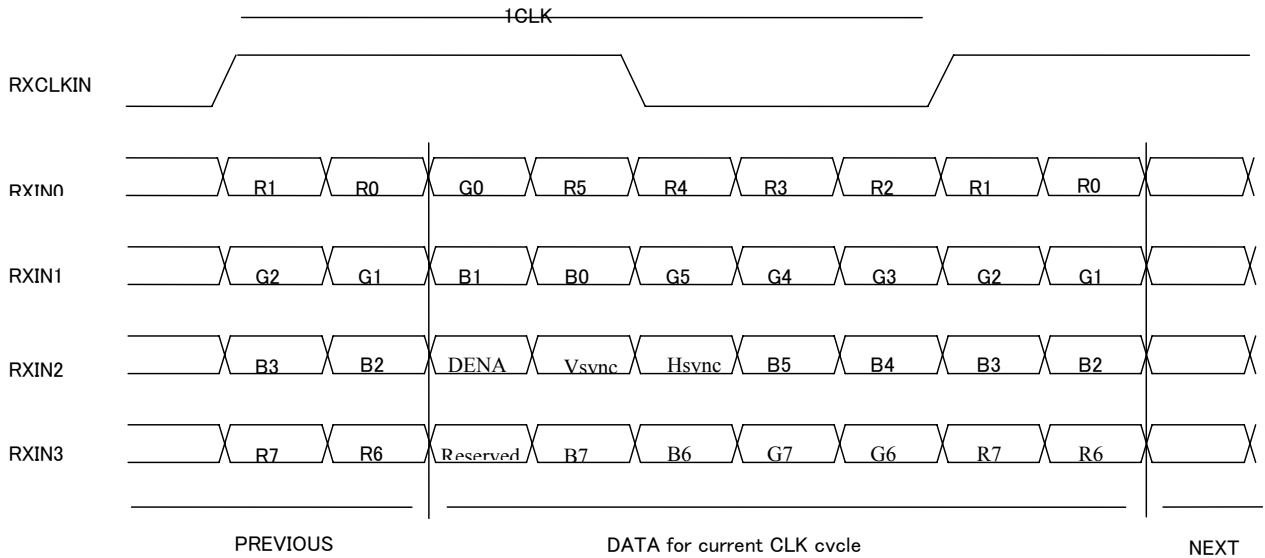


Title : CLAA216WA01

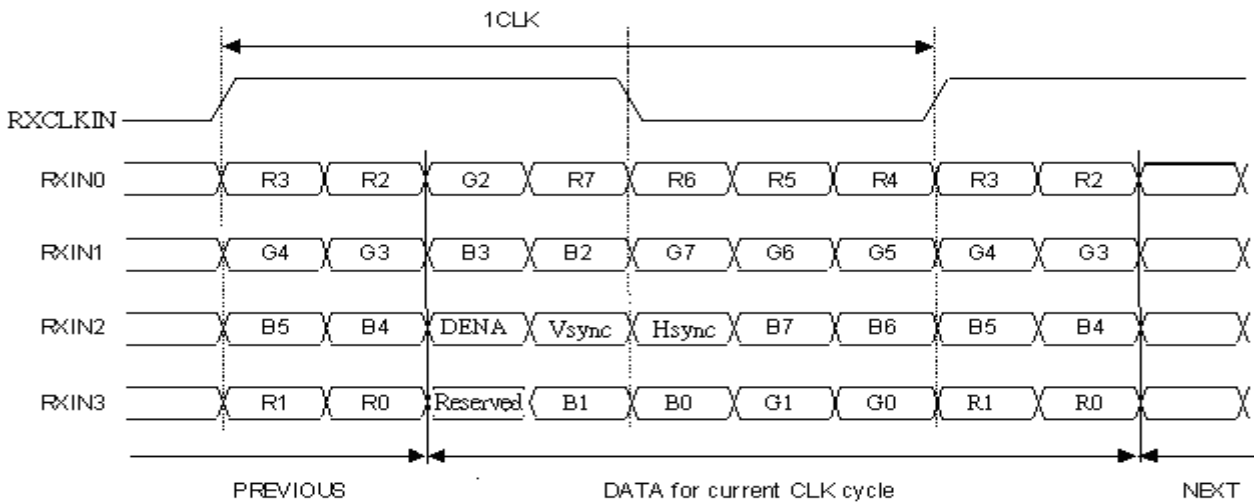
Technical Specification

(4) LVDS DATA MAPPING

a. Non-JEIDA normal specification



b. JEIDA specification



8bit LSB:R0,G0,B0

Parallel TTL Data Inputs Mapped to LVDS Outputs

Title : CLAA216WA01

Technical Specification

Color Data Assignment

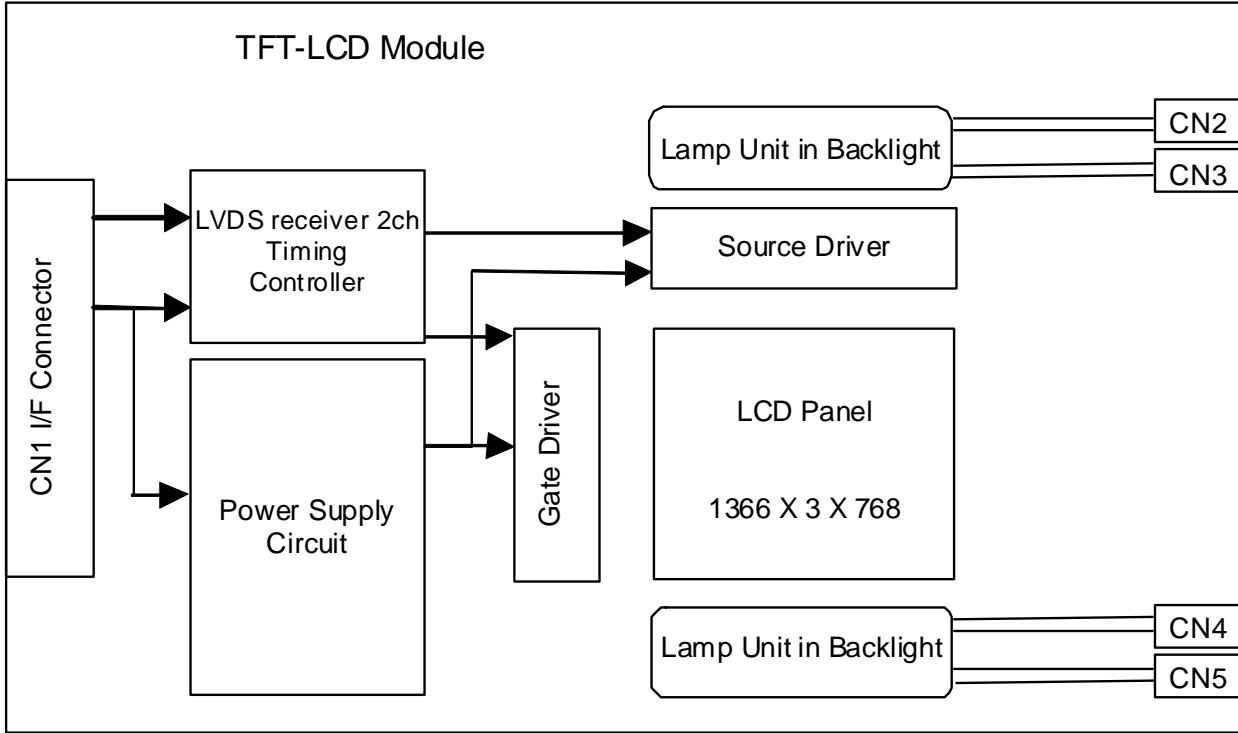
COLOR	INPUT DATA	R DATA								G DATA								B DATA							
		R7 MSB	R6	R5	R4	R3	R2	R1	R0 LSB	G7 MSB	G6	G5	G4	G3	G2	G1	G0 LSB	B7 MSB	B6	B5	B4	B3	B2	B1	B0 LSB
BASIC COLOR	BLACK	0	0	0	0	0	0	0	0	0	0	0	0	0	0	0	0	0	0	0	0	0	0	0	0
	RED(255)	1	1	1	1	1	1	1	1	1	0	0	0	0	0	0	0	0	0	0	0	0	0	0	0
	GREEN(255)	0	0	0	0	0	0	0	0	0	1	1	1	1	1	1	1	0	0	0	0	0	0	0	0
	BLUE(255)	0	0	0	0	0	0	0	0	0	0	0	0	0	0	0	0	1	1	1	1	1	1	1	1
	CYAN	0	0	0	0	0	0	0	0	0	1	1	1	1	1	1	1	1	1	1	1	1	1	1	1
	MAGENTA	1	1	1	1	1	1	1	1	1	0	0	0	0	0	0	0	1	1	1	1	1	1	1	1
	YELLOW	1	1	1	1	1	1	1	1	1	1	1	1	1	1	1	1	0	0	0	0	0	0	0	0
	WHITE	1	1	1	1	1	1	1	1	1	1	1	1	1	1	1	1	1	1	1	1	1	1	1	1
RED	RED(0)	0	0	0	0	0	0	0	0	0	0	0	0	0	0	0	0	0	0	0	0	0	0	0	0
	RED(1)	0	0	0	0	0	0	0	1	0	0	0	0	0	0	0	0	0	0	0	0	0	0	0	0
	RED(2)	0	0	0	0	0	0	1	0	0	0	0	0	0	0	0	0	0	0	0	0	0	0	0	0
	RED(254)	1	1	1	1	1	1	1	0	0	0	0	0	0	0	0	0	0	0	0	0	0	0	0	0
	RED(255)	1	1	1	1	1	1	1	1	0	0	0	0	0	0	0	0	0	0	0	0	0	0	0	0
GREEN	GREEN(0)	0	0	0	0	0	0	0	0	0	0	0	0	0	0	0	0	0	0	0	0	0	0	0	0
	GREEN(1)	0	0	0	0	0	0	0	0	0	0	0	0	0	0	0	1	0	0	0	0	0	0	0	0
	GREEN(2)	0	0	0	0	0	0	0	0	0	0	0	0	0	0	1	0	0	0	0	0	0	0	0	0
	GREEN(254)	0	0	0	0	0	0	0	0	0	1	1	1	1	1	1	0	0	0	0	0	0	0	0	0
	GREEN(255)	0	0	0	0	0	0	0	0	0	1	1	1	1	1	1	1	0	0	0	0	0	0	0	0
BLUE	BLUE(0)	0	0	0	0	0	0	0	0	0	0	0	0	0	0	0	0	0	0	0	0	0	0	0	0
	BLUE(1)	0	0	0	0	0	0	0	0	0	0	0	0	0	0	0	0	0	0	0	0	0	0	0	1
	BLUE(2)	0	0	0	0	0	0	0	0	0	0	0	0	0	0	0	0	0	0	0	0	0	0	1	0
	BLUE(254)	0	0	0	0	0	0	0	0	0	0	0	0	0	0	0	0	1	1	1	1	1	1	1	0
	BLUE(255)	0	0	0	0	0	0	0	0	0	0	0	0	0	0	0	0	1	1	1	1	1	1	1	1

- [Note] 1) Definition of gray scale: Color (n): n indicates gray scale level; higher n means brighter level.
 2) Data: 1-High, 0-Low.
 3) For odd & even data also.

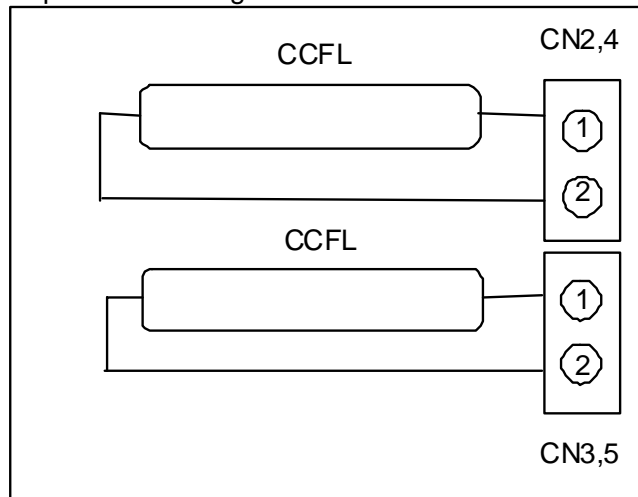
Title : CLAA216WA01

Technical Specification

6. BLOCK DIAGRAM



Lamp Unit in Backlight



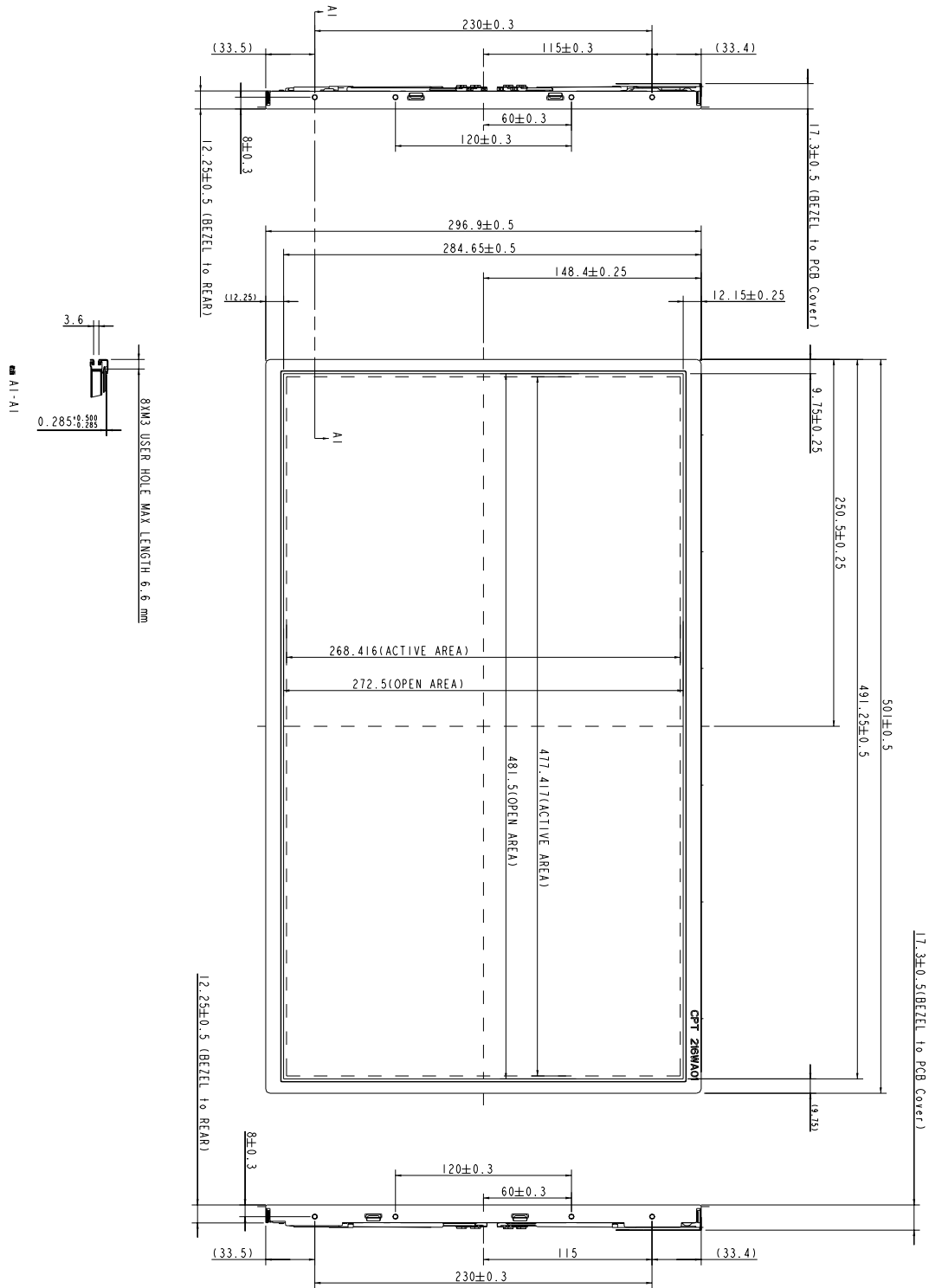
Title : **CLAA216WA01**

Technical Specification

7. MECHANICAL SPECIFICATION

(1) Front side (Tolerance is $\pm 0.5\text{mm}$ unless noted)

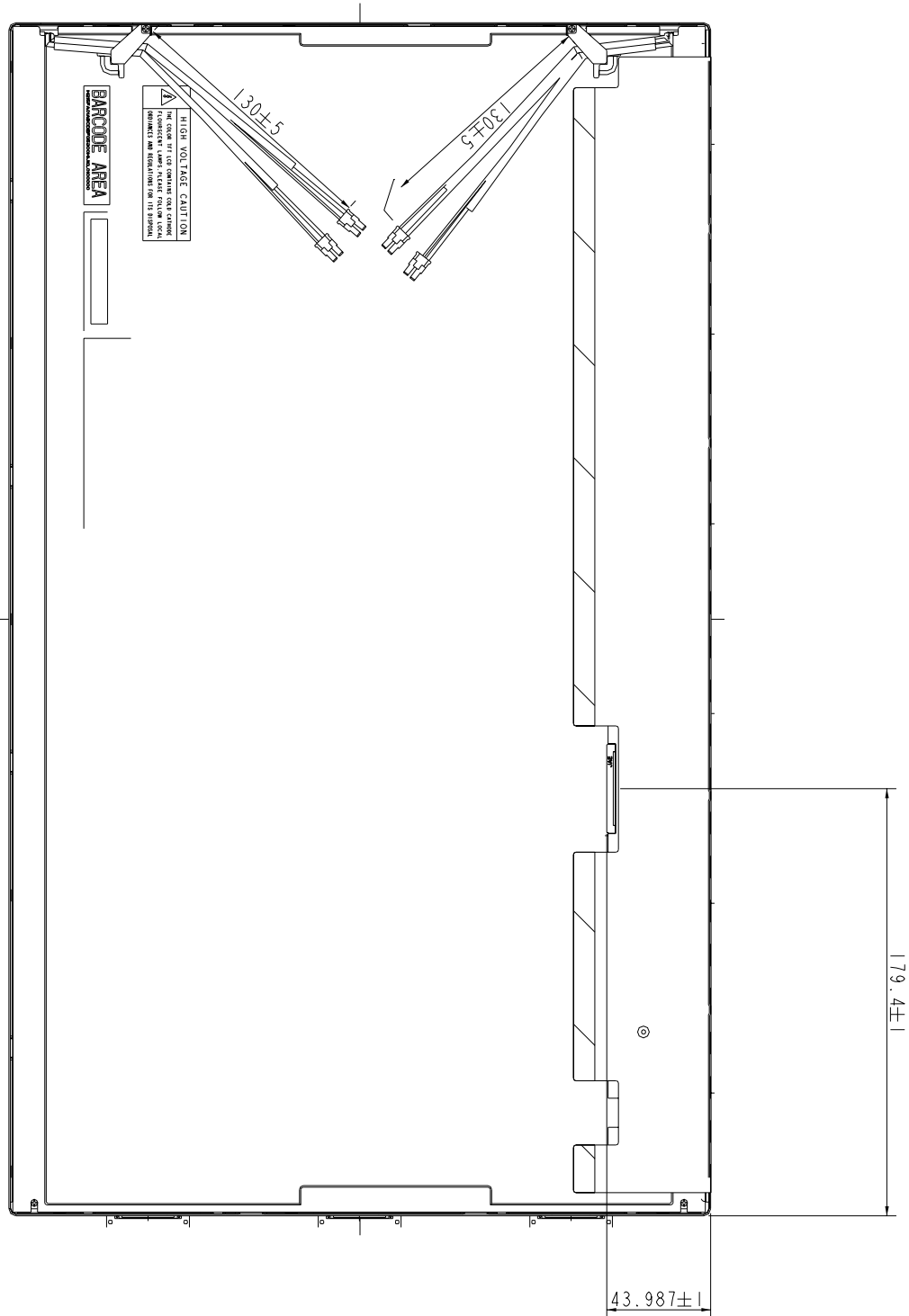
[Unit:mm]



Title : CLAA216WA01

Technical Specification

(2)Rear side (Tolerance is $\pm 0.5\text{mm}$ unless noted)



Title : CLAA216WA01 Technical Specification

8. OPTICAL CHARACTERISTICS

Ta=25°C , VCC=5.0V

ITEM	SYMBOL	CONDITION	MIN.	TYP.	MAX.	UNIT	REMARK	
Contrast (CEN)	CR	$\theta=\psi= 0^\circ$		(800)	--	--	*1) 2)	
Luminance (CEN)	L	$\theta=\psi= 0^\circ$	300	350	--	cd/m2	*1) 3)	
9P Uniformity	ΔL	$\theta=\psi= 0^\circ$	75	--	--	%	*1) 3)	
Response Time	Tr+Tf	$\theta=\psi= 0^\circ$	--	5	8	ms	*5)	
Cross talk	CT	$\theta=\psi= 0^\circ$	--	--	1	%	*6)	
View angle	Horizontal	ψ	$CR \geq 10$	150	170	--	Deg.	*4)
	Vertical	θ		140	160	--	Deg.	
	Horizontal	ψ	$CR \geq 5$	150	170	--	Deg.	
	Vertical	θ		150	170	--	Deg.	
Color Coordinates	White	x	$\theta=\psi= 0^\circ$	0.255	0.285	0.315	Color Coordinates	*3)
		y		0.263	0.293	0.323		
	Red	x		(0.614)	(0.644)	(0.674)		
		y		(0.301)	(0.331)	(0.361)		
	Green	x		(0.243)	(0.273)	(0.303)		
		y		(0.558)	(0.588)	(0.618)		
Blue	x	(0.121)	(0.151)	(0.181)				
	y	(0.031)	(0.061)	(0.091)				
Gamut	CG	$\theta=\psi= 0^\circ$	70	72		%		
Gamma	γ	VESA	2.0	2.2	2.4	--	*7)	

[Note]

Color coordinate and color gamut are measured by SRUL1R, response time is measured by TRD-100, and all the other items are measured by BM-5A (TOPCON). All these items are measured under the dark room condition (no ambient light).

Measurement Condition: IL=7.5mA × 4

Inverter: Sumida, model: TWS-400-9656 — — , Frequency=50kHz.

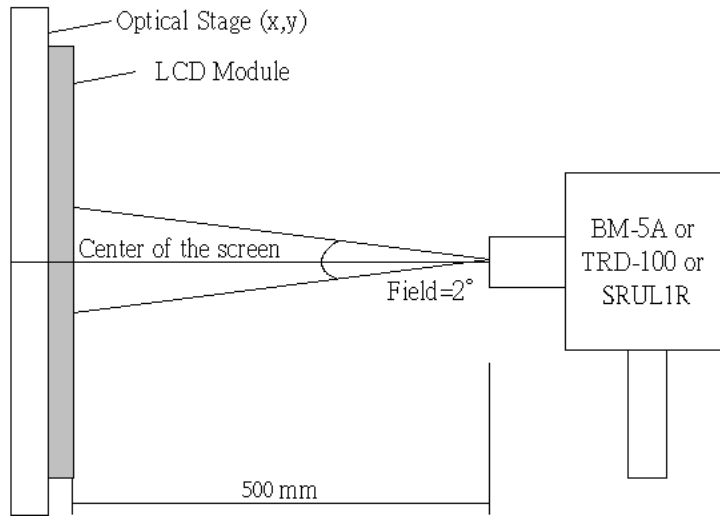
Definition of these measurement items is as follows:

1) Setup of Measurement Equipment

The LCD module should be turn-on to a stable luminance level to be reached. The measurement should be executed after lighting Backlight for 20 minutes and in a dark room.

Title : CLAA216WA01

Technical Specification



2) Definition of Contrast Ratio

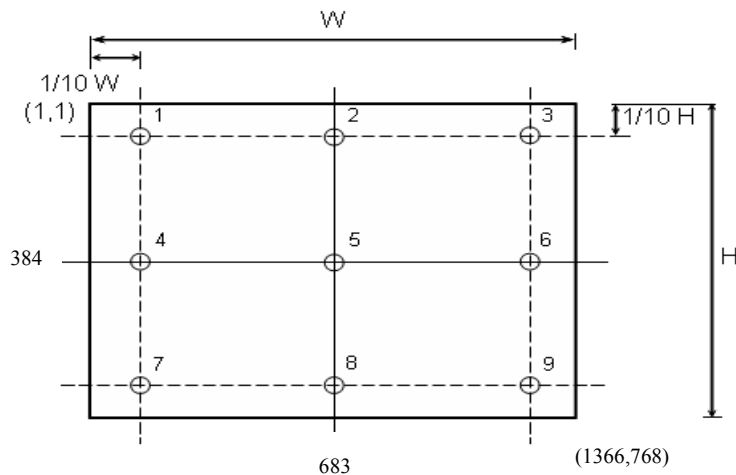
CR=ON (White) Luminance/OFF (Black) Luminance

3) Definition of Luminance and Luminance uniformity

Central luminance: The white luminance is measured at the center position “5” on the screen, see Fig.1 below. And the measure time is 30 min after discharged.

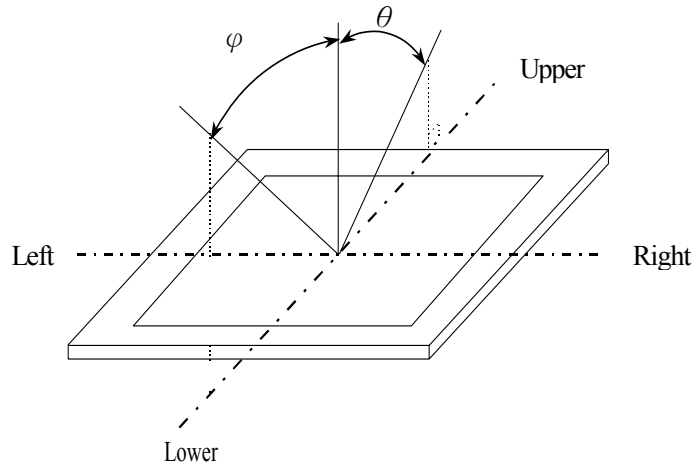
9P Luminance (AVG): The white luminance is measured at measuring points 1 to 9, see Fig.1 below.

9P Uniformity: $\Delta L = (L_{MIN} / L_{MAX}) \times 100\%$

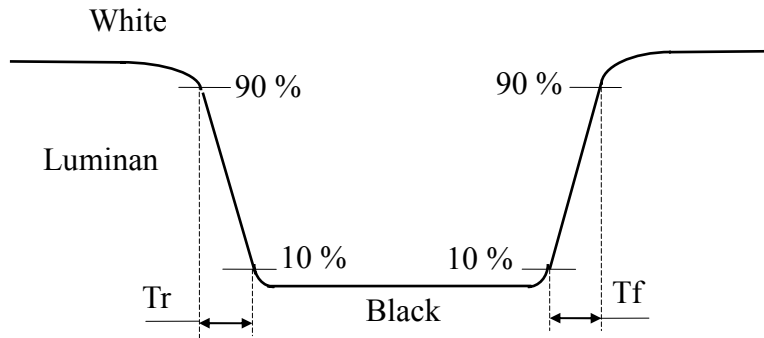


Title : CLAA216WA01 Technical Specification

4).Definition of Viewing Angle (θ, ψ):



5) Definition of Response Time:

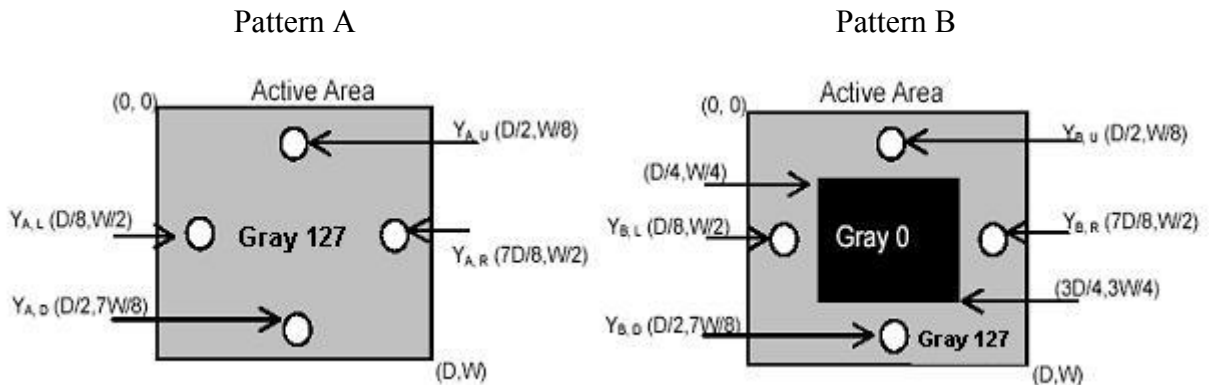


6) Definition of crosstalk:

$$CT = | Y_B - Y_A | / Y_A \times 100 (\%)$$

Y_A : The luminance of measured position at pattern A

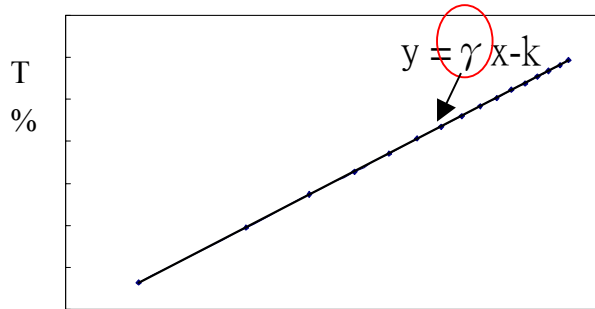
Y_B : The luminance of measured position at pattern B with Gray level 0



7) Definition of Gamma (γ), follow VESA standard sampling every 10 gray level (0,10,20,.....240,255)

Title : CLAA216WA01

Technical Specification



Gray level (LOG)

9. RELIABILITY TEST CONDITIONS

(1) Temperature and Humidity

TEST ITEMS	CONDITIONS
HIGH TEMPERATURE HIGH HUMIDITY OPERATION	50°C ; 90%RH; 240h (No condensation)
HIGH TEMPERATURE HIGH HUMIDITY STORAGE	60°C ; 90%RH; 48h (No condensation)
HIGH TEMPERATURE OPERATION	50°C ; 240h
HIGH TEMPERATURE STORAGE	60°C ; 240h
LOW TEMPERATURE OPERATION	0°C ; 240h
LOW TEMPERATURE STORAGE	-20°C ; 240h
THERMAL SHOCK	BETWEEN -20°C(1hr)AND 60°C(1hr); 100 CYCLES

(2) Shock & Vibration

ITEMS	CONDITIONS
SHOCK (NON-OPERATION)	Shock level:980m/s ² (100G) Waveform: half sinusoidal wave, 2ms Number of shocks: one shock input in each direction of three mutually perpendicular axes for a total of six shock inputs
VIBRATION (NON-OPERATION)	Vibration level: 9.8m/s ² (1.0G) zero to peak Waveform: sinusoidal Frequency range: 5 to 500 Hz Frequency sweep rate: 0.5 octave/min Duration: one sweep from 5 to 500Hz in each of three mutually perpendicular axis(each x,y,z axis: 1 hour, total 3 hours)

(3) ESD

POSITION	CONDITION(MDL turn off)

Title : CLAA216WA01 Technical Specification

Connector	1. 200 pF , 0 Ω , ±250 V 2. contact mode for each pin
Module	1. 150 pF , 330 Ω , ±15K V 2. Air mode, test 25 times for each test point 3. Contact mode, 25 times for each test point

(4) Low Pressure test

TEST ITEM	CONDITION
Low Pressure test(storage)	260HPa (30000 ft.) ; 24 Hr

(5) Judgment standard

The judgment of the above test should be made as follow:

Pass: Normal display image with no obvious non-uniformity and no line defect. Partial transformation of the module parts should be ignored.

Fail: No display image, obvious non-uniformity, or line defects.