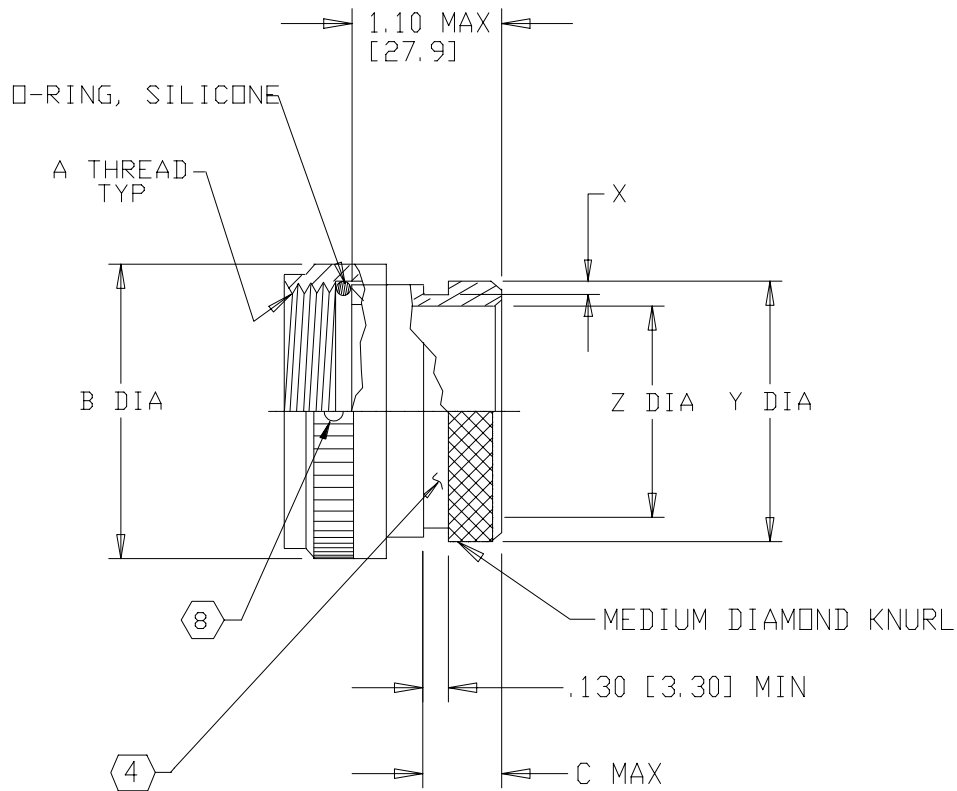


REVISIONS			
LTR	DESCRIPTION	DATE	APPROVED
H	REVISED PER ECN AD93111		



NOTES:

1. THIS PRODUCT IS DESIGNED TO TERMINATE A HEAT SHRINKABLE LIPPED BOOT TO A CONNECTOR.
2. FOR ADDITIONAL DIMENSIONS, ORDERING INFORMATION AND MODIFICATIONS, SEE CH00-0250-004.
3. ADAPTER TO BE PERMANENTLY MARKED WITH CODE IDENT. NO. AND PART NO. (E.G.: 06090-218M612-19B).
- ④ KNURL INSIDE BOOT GROOVE MAY BE SUPPLIED AT MANUFACTURE'S OPTION.
- ⑤ ALL THREAD SIZES FOR ORDER APPLY.
- ⑥ ADDITIONAL PIECE(S) SUPPLIED WHEN CONNECTOR MFR IS UNKNOWN (D IN TABLE II).
- ⑦ ADAPTER MATES TO MIL-C-5015, CLASS A, E & R, MS3100, MS3101 & MS3106. RESILIENT INSERT, SOLDER TYPE AND BENDIX 10-214, CANNON CA-RX COMMERCIAL CRIMP TYPE (LESS ENDBELL).
- ⑧ ANTI-ROTATIONAL SET SCREW, 3 THREADED HOLES $120^\circ \pm 5^\circ$ APART, SINGLE MATING SET SCREW SUPPLIED: AN565SC4H2. NOT REQUIRED FOR TYPE II ADAPTERS.

If this document is printed it becomes uncontrolled.
Check for the latest revision.

SPECIFICATION CONTROL DRAWING

<p>UNLESS OTHERWISE SPECIFIED DIMENSIONS ARE IN INCHES. METRIC DIMENSIONS ARE IN BRACKETS.</p> <p>DECIMALS</p> <p>.XXX ± — [mm]</p> <p>.XX ± — [mm]</p> <p>.X ± — [mm]</p> <p>ANGLES</p> <p>.X ± —</p>	<p>DRAWN E. GOLDY</p>	<p>DATE 05-05-93</p>	<p>tyco Electronics</p>	<p>Tyco Electronics Corporation 300 Constitution Drive Menlo Park, CA. 94025 U.S.A.</p>	<p>Raychem</p>	
	<p>CHECKED</p>	<p>DATE</p>				
	<p>APPROVED W. C. GAY</p>	<p>DATE 05-19-93</p>	<p>TITLE ADAPTER, SPIN COUPLING CODE 18</p>			
	<p>APPROVED</p>	<p>DATE</p>	<p>CAD NAME \\ACAD12\218M6XX</p>	<p>SIZE A</p>	<p>CODE IDENT. NO. 06090</p>	<p>DWG. NO. 218M6XX</p>
<p>THIRD ANGLE PROJECTION</p>	<p>DO NOT SCALE THIS DWG</p>		<p>SHEET 1 OF 3</p>			

TABLE I

ORDER NO.	SHELL SIZE ⑦	MFR CODE TABLE III	A THREAD CLASS 2B	B DIA MAX	C MAX	Z DIA MIN	X MIN	Y ±.020 [±0.51] DIA
218M608	8S	B	.375-32 UNEF	.72 [18.3]	.425 [10.80]	.245 [6.22]	.044 [1.11]	.518 [13.16]
		C	.438-28 UNEF			.307 [7.80]		
		A,R	.438-27 UNS			.307 [7.80]		
		D ⑥	⑤			.307 [7.80]		
218M610	10S	—	.500-28 UNEF	.79 [20.1]		.370 [9.40]		.590 [14.99]
218M611	10SL	C 10	.562-24 UNEF	.91 [23.1]		.433 [11.00]		.590 [14.99]
		A,B,R	.625-24 UNEF			.495 [12.57]		.759 [19.28]
		D ⑥	⑤			.433 [11.00]		.759 [19.28]
218M612	12&12S	B,C	.625-24 UNEF	.91 [23.1]		.495 [12.57]		.759 [19.28]
		A,R	.688-24 UNEF			.557 [14.15]		
		D ⑥	⑤			.495 [12.57]		
218M614	14&14S	—	.750-20 UNEF	1.04 [26.4]		.620 [15.75]		.823 [20.91]
218M616	16&16S	—	.875-20 UNEF	1.22 [31.0]		.745 [18.92]		.948 [24.08]
218M618	18	—	1.000-20 UNEF	1.35 [34.3]		.807 [20.50]	.044 [1.11]	1.026 [26.07]
218M620	20	A,B,C	1.125-18 UNEF	1.47 [37.4]		.995 [25.27]	.069 [1.75]	1.340 [34.04]
		R	1.125-24 UNS					
		D ⑥	⑤					
218M622	22	—	1.250-18 UNEF	1.60 [40.6]		1.120 [28.45]	.069 [1.75]	1.428 [36.28]
218M624	24	—	1.375-18 UNEF	1.72 [43.7]		1.245 [31.62]	.069 [1.75]	1.594 [40.49]
218M628	28	—	1.625-18 UNEF	2.10 [53.3]	.425 [10.80]	1.370 [34.80]	.086 [2.18]	1.694 [43.03]
218M632	32	B,C	1.875-16 UN	2.22 [56.4]	.587 [14.91]	1.620 [41.15]		1.904 [48.37]
		A,R	1.906-18 UN					
		D ⑥	⑤					
218M636	36	B	2.062-16 UNS	2.47 [62.7]		1.870 [47.50]		2.154 [54.72]
		R	2.062-20 UNS					
		C	2.125-16 UN					
		A	2.125-18 UNS					
		D ⑥	⑤					
218M640	40	B	2.312-16 UNS	2.72 [69.1]		2.120 [53.85]		2.387 [60.63]
		A,C,R	2.375-16 UN					
		D ⑥	⑤					
218M644	44	—	2.625-16 UN	2.97 [75.4]		2.370 [60.20]		2.642 [67.11]
218M648	48	C	2.812-18 UNS	3.22 [81.8]	.587 [14.91]	2.620 [66.55]	.086 [2.18]	2.892 [73.46]
		A,R	2.875-16 UN					
		D ⑥	⑤					

If this document is printed it becomes uncontrolled.
Check for the latest revision.

SIZE A	CODE IDENT. NO. 06090	DWG. NO. 218M6XX	REV H
DO NOT SCALE THIS DWG		CAD NAME \ACAD12\218M6X-2	SHEET 2 OF 3

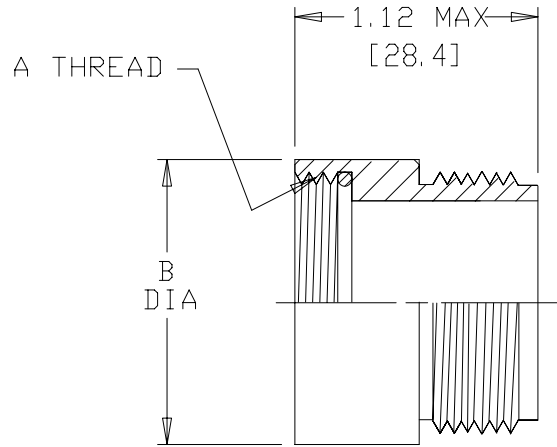


FIGURE A

TABLE II	
MFR CODE	CONNECTOR MANUFACTURER (MS 3100, MS 3101 & MS 3106)
A	AMPHENOL-CLASS A
B	BENDIX-CLASS A, E & R
C	CANNON-CLASS A, E & R
D	MFR UNKNOWN, CLASS A, E & R
R	AMPHENOL-CLASS R
-	MFR CODE NOT REQUIRED

www.DataSheet4U.com

If this document is printed it becomes uncontrolled.
Check for the latest revision.

SIZE A	CODE IDENT. NO. 06090	DWG. NO. 218M6XX	www.DataSheet4U.com REV H
DO NOT SCALE THIS DWG		CAD NAME \ACAD12\218M6X-2	SHEET 3 OF 3