

HC-49U, UM

MONOLITHIC CRYSTAL FILTER

SMD



TYPICAL APPLICATIONS

Pager, Cordless Telephone, Portable Telephone, VHF Radio, SSB.....

TYPICAL SPECIFICATIONS

For Normal 10.7MHz Series

Type	Nominal Frequency (MHz)	Pole	Pass Band		Stop Band		Ripple (dB)	Loss (dB)	Guaranteed Attenuation		Terminating impedance (Ohm / pF)	Operating Temp. Range (°C)	Case
			dB	KHz	dB	KHz			dB	fo±KHz			
10L071A	10.695	2	3	±3.75	20	±18.0	0.5	1.5	35	±300 ~ ±1000	1.8K/5.0	-20 ~ +70	HC-49/U.3S*1
10L072A		4	3	±3.75	40	±14.0	1.0	2.5	65	±300 ~ ±1000	1.8/4.5	-20 ~ +70	HC-49/U.3S*2
10L121A	~	2	3	±6.0	20	±25.0	0.5	1.5	35	±300 ~ ±1000	2.5K/2.5	-20 ~ +70	HC-49/U.3S*1
10L122A		4	3	±6.0	40	±20.0	1.0	2.5	65	±300 ~ ±1000	2.5K/1.5	-20 ~ +70	HC-49/U.3S*2
10L151A	10.700	2	3	±7.5	18	±25.0	0.5	1.5	35	±300 ~ ±1000	3.0K/2.0	-20 ~ +70	HC-49/U.3S*1
10L152A		4	3	±7.5	40	±25.0	1.0	2.5	65	±300 ~ ±1000	3.0K/1.5	-20 ~ +70	HC-49/U.3S*2
10L301A		2	3	±15.0	15	±50.0	0.5	1.5	30	±300 ~ ±1000	5.0K/0	-20 ~ +70	HC-49/U.3S*1
10L302A		4	3	±15.0	30	±40.0	1.0	2.5	65	±300 ~ ±1000	5.5K/-1.0	-20 ~ +70	HC-49/U.3S*2

For Normal 21.4MHz Series

21M081A	21.400	2	3	±3.75	20	±18.0	0.5	1.5	35	±300 ~ ±1000	850/6.0	-20 ~ +70	UM-1.3S*1
21M082A		4	3	±3.75	40	±14.0	1.0	2.5	65	±300 ~ ±1000	850/5.0	-20 ~ +70	UM-1.3S*2
21M121A	~	2	3	±6.0	20	±25.0	0.5	1.5	35	±300 ~ ±1000	1.2K/3.0	-20 ~ +70	UM-1.3S*1
21M122A		4	3	±6.0	40	±20.0	1.0	2.5	65	±300 ~ ±1000	1.2K/2.5	-20 ~ +70	UM-1.3S*2
21M151A	21.800	2	3	±7.5	18	±25.0	0.5	1.5	35	±300 ~ ±1000	1.5K/2.5	-20 ~ +70	UM-1.3S*1
21M152A		4	3	±7.5	40	±25.0	1.0	2.5	65	±300 ~ ±1000	1.5K/2.0	-20 ~ +70	UM-1.3S*2
21M301A		2	3	±15.0	15	±45.0	0.5	1.5	35	±300 ~ ±1000	1.5K/1.0	-20 ~ +70	UM-1.3S*1
21M302A		4	3	±15.0	40	±50.0	1.0	2.5	65	±300 ~ ±1000	2.2K/0.5	-20 ~ +70	UM-1.3S*2

For Pager

21M151A	21.400	2	3	±7.5	18	±25.0	1.0	1.5	35	±300 ~ ±1000	1.5K/2.5	-20 ~ +70	UM-1.3S*1
21T151A		2	3	±7.5	18	±25.0	1.0	1.5	35	±300 ~ ±1000	1.5K/2.5	-20 ~ +70	UM-5.3S*1
21T201A	21.800	2	3	±10.0	15	±30.0	1.0	1.5	35	300 ~ ±1000	1.5K/2.5	-20 ~ +70	UM-5.3S*1

For Cordless Telephone

10L151A	10.700	2	3	±7.5	18	±25.0	0.5	2.0	35	±300 ~ ±1000	3.0K/2.0	-20 ~ +70	HC-49/U.3S*1
21M071A	21.400	2	3	±3.75	18	±12.5	1.0	2.0	60	±(910±10)	1.5K/6.0	-20 ~ +70	UM-1.3S*2
21M122A		4	3	±6.0	40	±20.0	1.5	3.0	80	±(910±10)	1.2K/2.5	-20 ~ +70	UM-1.3S*2
21M152A	21.800	3	3	±7.5	40	±25.0	1.5	3.0	80	±(910±10)	1.5K/2.0	-20 ~ +70	UM-1.3S*2
58M072AT	58.075	4	3	±3.75	35	±14.0	2.0	4.0	80	±(910±10)	3.0K/-0.4	-20 ~ +70	UM-1.3S*2
58M122AT	58.1125	4	3	±6.0	35	±20.0	2.0	3.0	80	±(910±10)	3.0K/-0.4	-20 ~ +70	UM-1.3S*2
58M152AT	58.1625	4	3	±7.5	28	±25.0	2.0	3.0	80	±(910±10)	3.0K/-1.0	-20 ~ +70	UM-1.3S*2
83M302AT	83.160	3	3	±15.0	20	±60.0	1.5	6.0	65	±(910±10)	2.5K/-1.0	-20 ~ +70	UM-1.3S*2

For Portable Telephone

45M301AF	45.000	2	3	±15.0	15	±50.0	1.0	2.0	50	-(910±10)	600/1.5	-20 ~ +70	UM-1.3S*1
45T301AF		2	3	±15.0	15	±50.0	1.0	2.0	50	-(910±10)	600/1.5	-20 ~ +70	UM-5.3S*1
45N401AF		2	2	±20.0	15	±60.0	1.0	2.0	50	-(910±10)	860/-1.7	-20 ~ +70	UM-4.3S*1
45T151AF	45.050	2	3	±7.5	15	±22.0	1.0	2.0	66	-(910±10)	470/6.0	-20 ~ +70	UM-5.3S*1
45M152AF	45.100	4	3	±7.5	40	±30.0	1.0	3.0	80	±300 ~ ±1000	560/3.0	-20 ~ +70	UM-1.3S*2
45T152AF		4	3	±7.5	40	±30.0	1.0	3.0	80	±300 ~ ±1000	560/3.0	-20 ~ +70	UM-5.3S*2
45T302AF		4	3	±15.0	30	±60.0	1.0	3.0	80	±910	1.6K/0	-20 ~ +70	UM-5.3S*2
70T202AT	70.000	4	3	±10.0	35	±40.0	2.0	6.0	70	±300 ~ ±1000	2.5K/-1.0	-20 ~ +70	UM-5.3S*2
90T092AT	90.000	4	3	±4.5	13	±12.5	2.0	6.0	70	±(910±10)	2.5K/-1.0	-20 ~ +70	UM-5.3S*2

For VHF Radio

45L152AT	45.000	4	3	±7.5	40	±30.0	2.0	3.0	70	±300 ~ ±1000	3.0K/-1.0	-20 ~ +70	HC-49/U.3S*2
45MA52AT		4	3	±7.5	40	±30.0	2.0	3.0	70	±300 ~ ±1000	3.0K/-1.0	-20 ~ +70	UM-1.3S*2
55L171AT	55.845	2	3	±8.5	18	±34.0	2.0	3.0	35	±300 ~ ±1000	3.0K/-1.0	-20 ~ +70	HC-49/U.3S*1
55M171AT		2	3	±8.5	18	±34.0	2.0	3.0	35	±300 ~ ±1000	3.0K/-1.0	-20 ~ +70	UM-1.3S*1
55M172AT	55.025	4	3	±8.5	25	±25.0	2.0	3.0	70	±300 ~ ±1000	3.0K/-1.0	-20 ~ +70	UM-1.3S*2
58M172AT	58.1125	4	3	±8.5	25	±25.0	2.0	4.0	70	±300 ~ ±1000	3.0K/-1.0	-20 ~ +70	UM-1.3S*2
70M152AT	70.000	4	3	±7.5	40	±30.0	2.0	6.0	70	±300 ~ ±1000	2.5K/-1.0	-20 ~ +70	UM-1.3S*2
90M202AT	90.000	4	3	±10.0	35	±40.0	2.0	6.0	70	±300 ~ ±1000	2.5K/-1.0	-20 ~ +70	UM-1.3S*2

HC-49U, UM

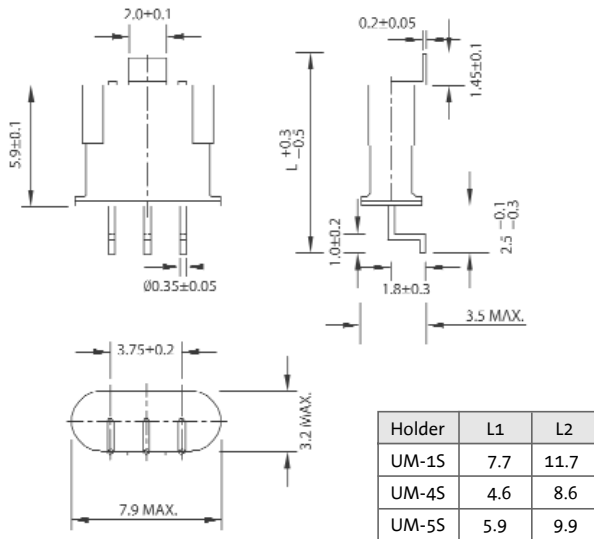
MONOLITHIC CRYSTAL FILTER

SMD

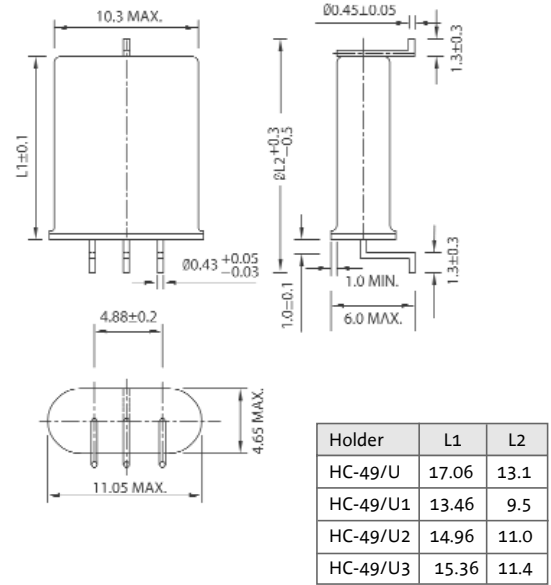


Dimension & Land Pattern (unit: mm):

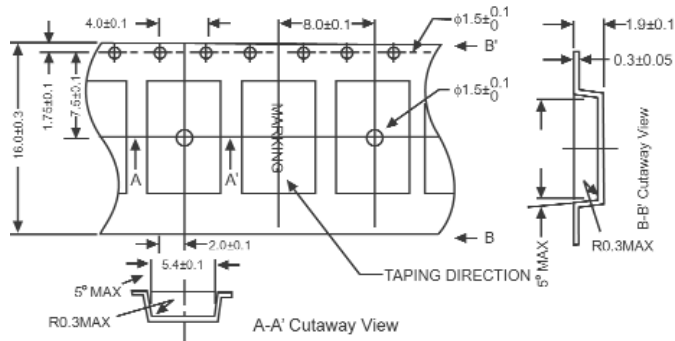
UM Series



49/ U Series



Tape Specification



Reel Specification

