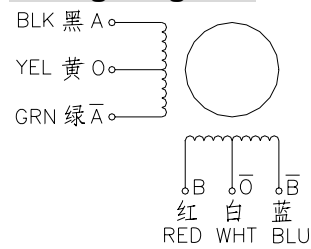
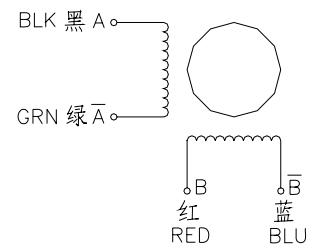


2 Phase Hybrid Stepper Motor 23H2B series-Size 57mm(1.8 degree)


Wiring Diagram:


UNI-POLAR(6 LEADS)



BI-POLAR(4LEADS)

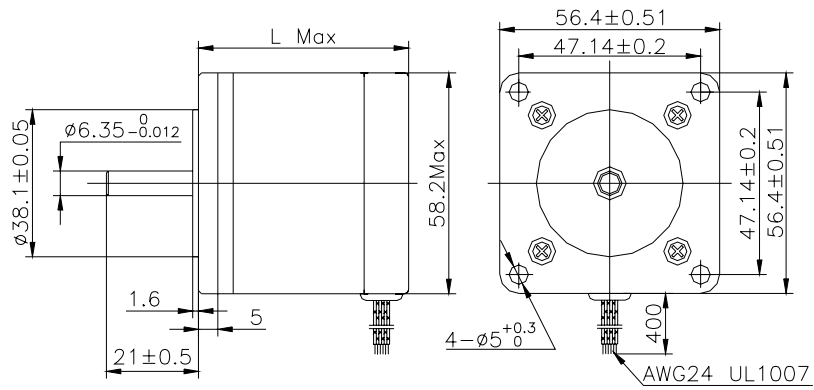
Electrical Specifications:

Series Model	Old P/N	Motor Length (mm)	Rated Current (A)	Phase Resistance (ohm)	Phase Inductance (mH)	Holding Torque (N.cm Min)	Detent Torque (N.cm Max)	Rotor Inertia (g.cm ²)	Lead Wire (No.)	Motor Weight (g)
23H2B4604	23HY4607	41	0.38	32	30	30	3.5	60	6	450
23H2B4415	23HY4455	41	1.55	1.8	3.5	22	3.5	60	4	450
23H2B4421	23HY4456	41	2.1	0.8	1.4	32	3.5	60	4	450
23H2B4615	23HY4656	41	1.5	1.5	1.4	24	3.5	60	6	450
23H2B5604	23HY5607	51	0.38	32	28	38	5.5	118	6	600
23H2B5609	23HY5666	51	0.85	7.1	8.5	45	5.5	118	6	600
23H2B5614	23HY5627	51	1.4	2.5	32	45	5.5	118	6	600
23H2B5414	23HY5481	51	1.4	2.5	6.2	62	5.5	118	6	600
23H2B5420	23HY5460	51	2.0	1.3	3.2	62	5.5	118	4	600
23H2B6606	23HY6684	56	0.6	20	20	60	6.5	145	6	650
23H2B6612	23HY6669	56	1.2	5.0	6.8	60	6.5	145	6	650
23H2B6616	23HY6659	56	1.6	5.2	30	60	6.5	145	6	650
23H2B6624	23HY6609	56	2.4	1.0	1.2	60	6.5	145	6	650
23H2B6425	23HY6496	56	2.5	1.2	3.0	80	6.5	145	4	650
23H2B7442	23HY7406	76	4.2	0.6	1.4	110	6.5	145	4	800
23H2B7421	23HY7407	76	2.1	2.2	6.2	110	9.5	230	6	800
23H2B7436	23HY7408	76	3.6	0.8	2.2	110	9.5	230	4	800

*Note: We can manufacture products according to customer's requirements.

MotionKing (China) Motor Industry Co., Ltd.

Dimensions: unit=mm



Motor Length:

Model	Length
23H2B4XXX	41 mm
23H2B5XXX	51 mm
23H2B6XXX	56 mm
23H2B7XXX	76 mm