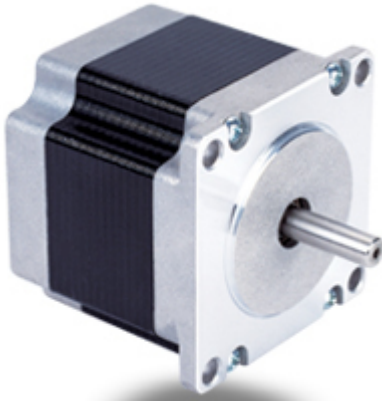
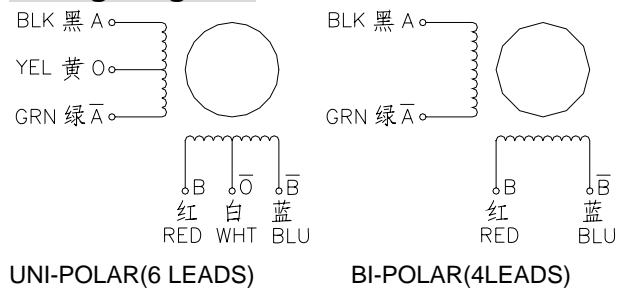


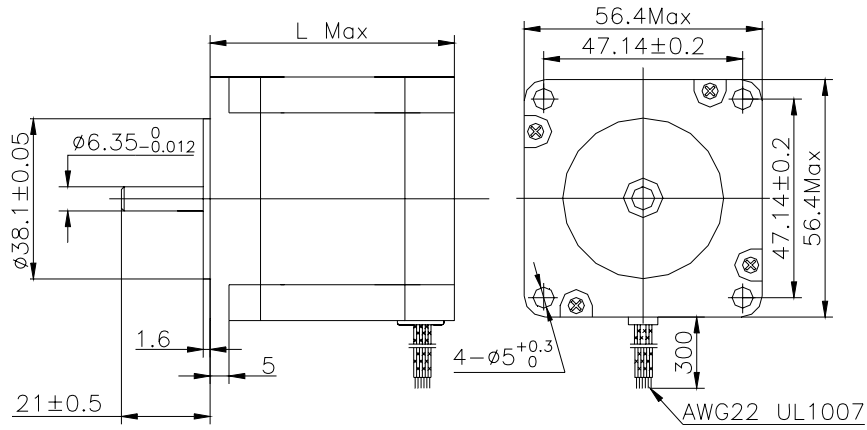
2 Phase Hybrid Stepper Motor 23H2M/K series-Size 57mm(0.9 degree)


Wiring Diagram:

Electrical Specifications:

| Series Model | Old P/N | Motor Length (mm) | Rated Current (A) | Phase Resistance (ohm) | Phase Inductance (mH) | Holding Torque (N.cm Min) | Detent Torque (N.cm Max) | Rotor Inertia (g.cm ²) | Lead Wire (No.) | Motor Weight (g) |
|--------------|----------|-------------------|-------------------|------------------------|-----------------------|---------------------------|--------------------------|------------------------------------|-----------------|------------------|
| 23H2M0610 | 23HM0601 | 41 | 1.0 | 5.2 | 6.2 | 24 | 2.5 | 150 | 6 | 470 |
| 23H2M0406 | 23HM0405 | 41 | 0.62 | 12 | 28 | 32 | 2.5 | 150 | 4 | 470 |
| 23H2M0420 | 23HM0408 | 41 | 2.0 | 1.2 | 3.0 | 32 | 2.5 | 150 | 4 | 470 |
| 23H2M4425 | 23HM4425 | 45 | 2.5 | 1.0 | 3.0 | 62 | 2.8 | 190 | 4 | 520 |
| 23H2M5406 | 23HM5406 | 51 | 0.62 | 13 | 34 | 70 | 3.0 | 230 | 4 | 590 |
| 23H2M5425 | 23HM5425 | 51 | 2.5 | 1.2 | 3.8 | 70 | 3.0 | 230 | 4 | 590 |
| 23H2M6615 | 23HM6602 | 56 | 1.5 | 3.2 | 6.2 | 82 | 3.5 | 280 | 6 | 680 |
| 23H2M6425 | 23HM6403 | 56 | 2.5 | 1.3 | 5.2 | 100 | 3.5 | 280 | 4 | 680 |
| 23H2M6430 | 23HM6430 | 56 | 3.0 | 0.8 | 2.8 | 100 | 3.5 | 280 | 4 | 680 |
| 23H2M6442 | 23HM6404 | 56 | 4.2 | 0.4 | 1.5 | 100 | 3.5 | 280 | 4 | 680 |
| 23H2M7410 | 23HM7401 | 64 | 1.0 | 7.5 | 28 | 110 | 5.0 | 380 | 4 | 850 |
| 23H2M7425 | 23HM7425 | 64 | 2.5 | 1.5 | 5.8 | 110 | 5.0 | 380 | 4 | 850 |
| 23H2M7430 | 23HM7430 | 64 | 3.0 | 0.8 | 3.0 | 110 | 5.0 | 380 | 4 | 850 |
| 23H2M7442 | 23HM7404 | 64 | 4.2 | 0.55 | 1.5 | 110 | 5.0 | 380 | 4 | 850 |
| 23H2M8615 | 23HM8603 | 76 | 1.5 | 4.2 | 11 | 125 | 6.0 | 440 | 6 | 1050 |
| 23H2M8425 | 23HM8425 | 76 | 2.5 | 1.8 | 8.2 | 150 | 6.0 | 440 | 4 | 1050 |
| 23H2M8430 | 23HM8430 | 76 | 3.0 | 1.0 | 4.3 | 150 | 6.0 | 440 | 4 | 1050 |
| 23H2M8442 | 23HM8404 | 76 | 4.2 | 0.65 | 2.2 | 150 | 6.0 | 440 | 4 | 1050 |

*Note: We can manufacture products according to customer's requirements.

Dimensions: unit=mm



Motor Length:

| Model | Length |
|-----------|--------|
| 23H2M0XXX | 41 mm |
| 23H2M4XXX | 45 mm |
| 23H2M5XXX | 51 mm |
| 23H2M6XXX | 56 mm |
| 23H2M7XXX | 64 mm |
| 23H2M8XXX | 76 mm |