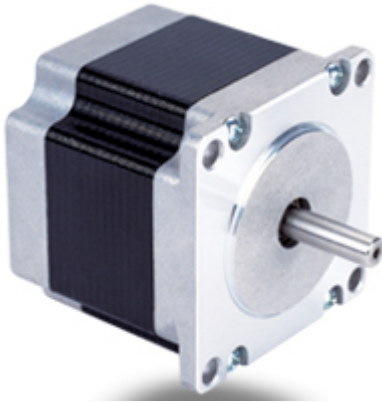
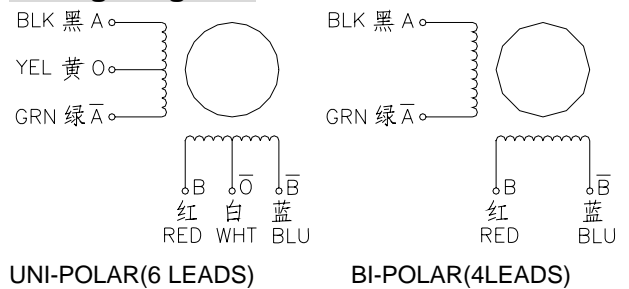


# 2 Phase Hybrid Stepper Motor

## 23HK series-Size 57mm(0.9 degree)

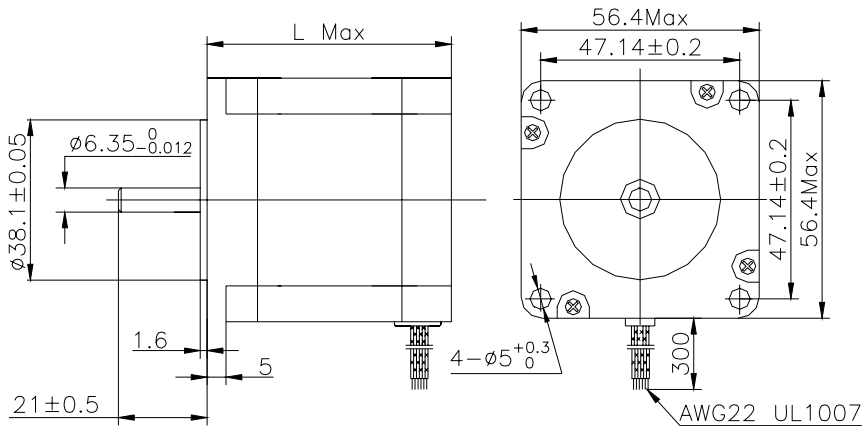

**Wiring Diagram:**

**Electrical Specifications:**

Series Model	Step Angle (deg)	Motor Length (mm)	Rated Current (A)	Phase Resistance (ohm)	Phase Inductance (mH)	Holding Torque (N.cm Min)	Detent Torque (N.cm Max)	Rotor Inertia (g.cm <sup>2</sup> )	Lead Wire (No.)	Motor Weight (g)
23HK0601	0.9	41	1.0	5.2	6.2	24	2.5	150	6	470
23HK0405	0.9	41	0.62	12	28	32	2.5	150	4	470
23HK0408	0.9	41	2.0	1.2	3.0	32	2.5	150	4	470
23HK4425	0.9	45	2.5	1.0	3.0	62	2.8	190	4	520
23HK5406	0.9	51	0.62	13	34	70	3.0	230	4	590
23HK5425	0.9	51	2.5	1.2	3.8	70	3.0	230	4	590
23HK6602	0.9	56	1.5	3.2	6.5	82	3.5	280	6	680
23HK6403	0.9	56	2.5	1.3	5.2	100	3.5	280	4	680
23HK6430	0.9	56	3.0	0.8	2.8	100	3.5	280	4	680
23HK6404	0.9	56	4.2	0.4	1.5	100	3.5	280	4	680
23HK7401	0.9	64	1.0	7.5	28	110	5.0	380	4	850
23HK7425	0.9	64	2.5	1.5	5.8	110	5.0	380	4	850
23HK7430	0.9	64	3.0	0.8	3.0	110	5.0	380	4	850
23HK7404	0.9	64	4.2	0.55	1.5	110	5.0	380	4	850
23HK8603	0.9	76	1.5	4.5	10	125	6.0	440	6	1050
23HK8425	0.9	76	2.5	1.8	8.2	150	6.0	440	4	1050
23HK8430	0.9	76	3.0	1.0	4.3	150	6.0	440	4	1050
23HK8404	0.9	76	4.2	0.65	2.2	150	6.0	440	4	1050

\*Note: We can manufacture products according to customer's requirements.

MotionKing (China) Motor Industry Co., Ltd.

**Dimensions: unit=mm**



**Motor Length:**

Model	Length
23HK0XXX	41 mm
23HK4XXX	45 mm
23HK5XXX	51 mm
23HK6XXX	56 mm
23HK7XXX	64 mm
23HK8XXX	76 mm