

○56.4mm(○2.22in.)

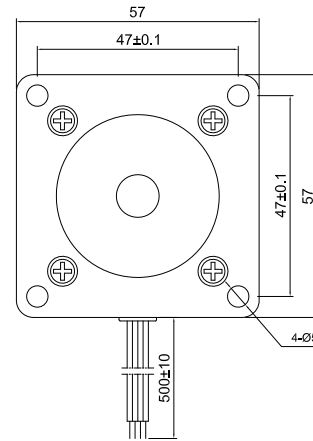
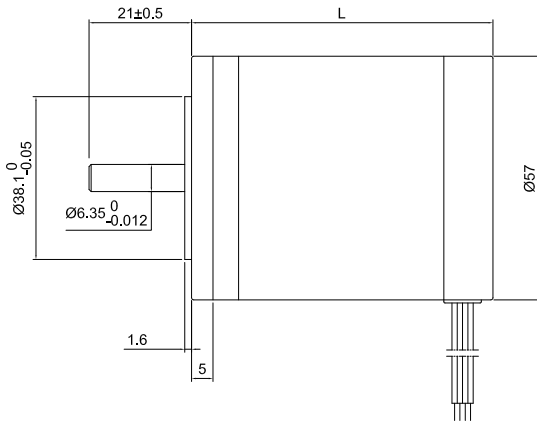
Step Angle 1.8° 23HR High-Torque Type

Common Rating

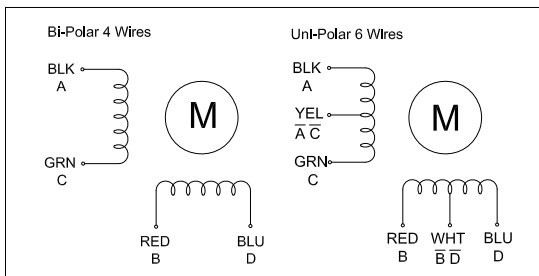
Item	Specification
Step Angle Accuracy	±5% (full step, no load)
Temperature Rise	80°C Max. (rated current, 2 phase on)
Ambient Temperature	-10°C ~ +50°C
Insulation Resistance	100MΩ Min. 500VDC
Dielectric Strength	500VAC for one minute



Dimension Unit = mm(in.)



Wiring Diagram



Excitation Sequence

Excitation: 2-2

STEP	A	B	C	D
1	+	+		
2		+	+	
3			+	+
4	+			+

Excitation: 2-1-2

STEP	A	B	C	D
1	+			
2	+	+		
3		+		
4		+	+	
5			+	
6			+	+
7				+
8	+			+

Specifications

Model	Torque		Voltage	Current	Resistance	Inductance	Inertia	Bi/Unipolar	Weight	Length "L"	
	Ncm	oz.in	V/Phase	A/Phase	Ohm/Phase	mH/Phase	g.cm2	# of Leads	Kg	mm	in
23HR16-0406S	28.8	40.8	12	0.4	30	30	57	Uni (6)	0.54	41	1.61
23HR16-1106S	28.8	40.8	4	1.1	3.6	3.6	57	Uni (6)	0.54	41	1.61
23HR16-1564S	40	56.6	2.8	1.56	1.8	3.6	57	Bi (4)	0.54	41	1.61
23HR20-0426S	50	70.8	12	0.42	29	36	110	Uni (6)	0.6	51	2.01
23HR20-0856S	50	70.8	6	0.85	7.1	9	110	Uni (6)	0.6	51	2.01
23HR20-2804S	69	97.7	1.8	2.8	0.65	1.6	110	Bi (4)	0.6	51	2.01
23HR22-0606S	60.5	85.7	12	0.6	20	32	135	Uni (6)	0.65	56	2.20
23HR22-1206S	60.5	85.7	6	1.2	5	8	135	Uni (6)	0.65	56	2.20
23HR22-2554S	84	119.0	2.8	2.55	1.1	3.6	135	Bi (4)	0.65	56	2.20
23HR30-0686S	90	127.5	12	0.68	17.7	30	200	Uni (6)	0.95	76	2.99
23HR30-1506S	90	127.5	5.4	1.5	3.6	6	200	Uni (6)	0.95	76	2.99
23HR30-3304S	125	177.0	2.7	3.3	0.85	3	200	Bi (4)	0.95	76	2.99
23HR40-2004S	120	169.93	2.1	2	1.1	4.5	300	Bi (4)	1.25	100	3.94

* Specify -S for Single Shaft; -D for Double Shaft * All motor's specifications are based on full-step constant current operation