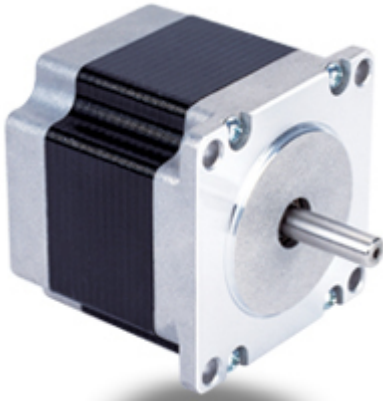
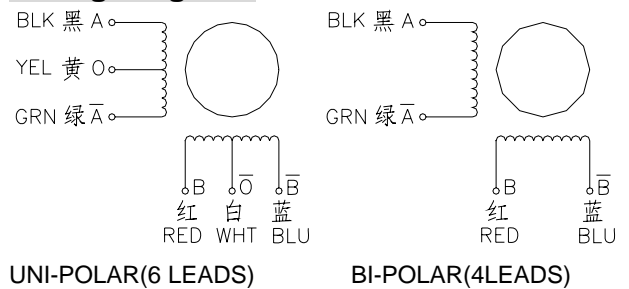


2 Phase Hybrid Stepper Motor 23HS series-Size 57mm(1.8 degree)

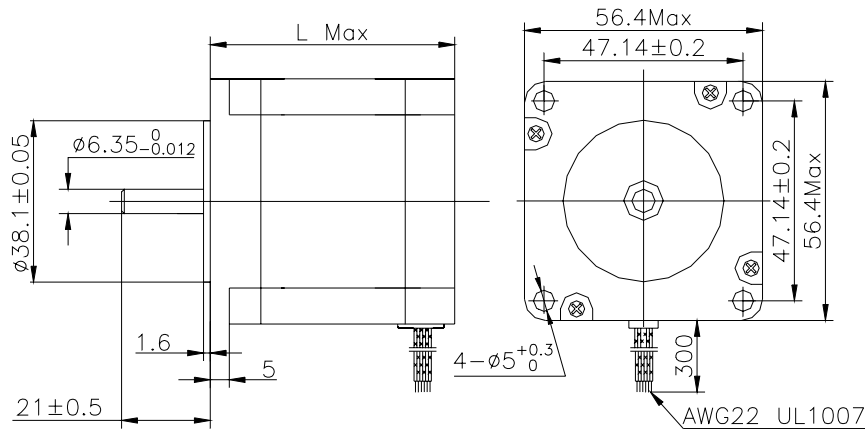

Wiring Diagram:

Electrical Specifications:

Series Model	Step Angle (deg)	Motor Length (mm)	Rated Current (A)	Phase Resistance (ohm)	Phase Inductance (mH)	Holding Torque (N.cm Min)	Detent Torque (N.cm Max)	Rotor Inertia (g.cm ²)	Lead Wire (No.)	Motor Weight (g)
23HS0601	1.8	41	1.0	5.2	5.5	40	2.5	150	6	470
23HS0405	1.8	41	0.62	12	24	55	2.5	150	4	470
23HS0408	1.8	41	2.0	1.2	2.5	55	2.5	150	4	470
23HS4412	1.8	45	0.62	12	26	80	2.8	190	4	520
23HS4425	1.8	45	2.5	1.0	2.2	80	2.8	190	4	520
23HS5406	1.8	51	0.62	13	28	90	2.8	190	4	520
23HS5425	1.8	51	2.5	1.2	3.2	90	2.8	190	4	520
23HS5602	1.8	51	0.8	6.8	9.2	63	3.0	230	6	590
23HS6602	1.8	56	1.5	3.2	5.5	90	3.5	280	6	590
23HS6403	1.8	56	2.5	1.3	3.6	110	3.5	280	4	680
23HS6430	1.8	56	3.0	0.8	2.4	110	3.5	280	4	680
23HS6404	1.8	56	4.2	0.4	1.2	110	3.5	280	4	680
23HS7401	1.8	64	1.0	7.5	20	150	5.0	380	4	850
23HS7425	1.8	64	2.5	1.5	4.5	150	5.0	380	4	850
23HS7430	1.8	64	3.0	0.8	2.3	150	5.0	380	4	850
23HS7404	1.8	64	4.2	0.55	1.2	150	5.0	380	4	850
23HS8603	1.8	76	1.5	4.5	10	140	6.0	440	6	1050
23HS8425	1.8	76	2.5	1.8	6.5	180	6.0	440	4	1050
23HS8430	1.8	76	3.0	1.0	3.5	180	6.0	440	4	1050
23HS8404	1.8	76	4.2	0.6	1.8	180	6.0	440	4	1050
23HS1430	1.8	100	3.0	1.4	5.5	250	10	680	4	1250
23HS1410	1.8	100	4.2	0.8	3.0	250	10	680	4	1250
23HS2430	1.8	112	3.0	1.6	6.8	280	12	800	4	1400
23HS2410	1.8	112	4.2	0.9	3.8	280	12	800	4	1400

*Note: We can manufacture products according to customer's requirements.

MotionKing (China) Motor Industry Co., Ltd.

Dimensions: unit=mm



Motor Length:

Model	Length
23HS0XXX	41 mm
23HS4XXX	45 mm
23HS5XXX	51 mm
23HS6XXX	56 mm
23HS7XXX	64 mm
23HS8XXX	76 mm
23HS1XXX	100 mm
23HS2XXX	112 mm