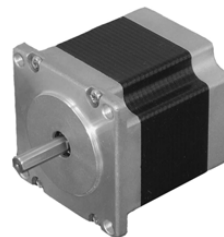
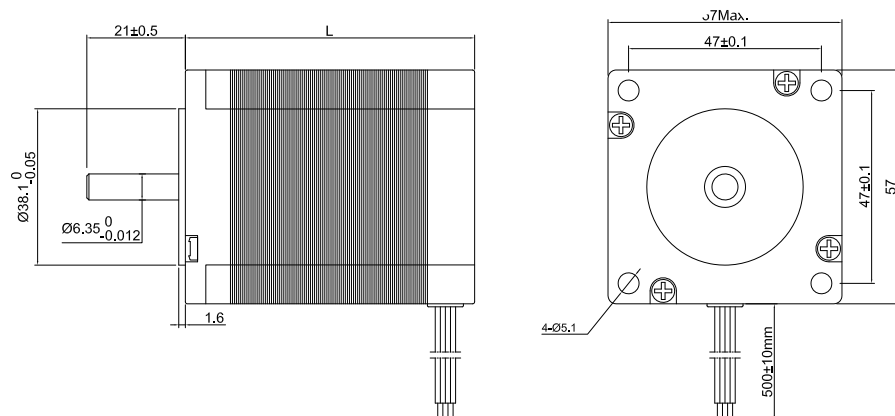


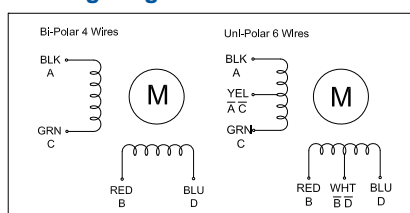
□ 56.8mm (□ 2.24in.)

Step Angle 1.8° 23HS High-Torque Type

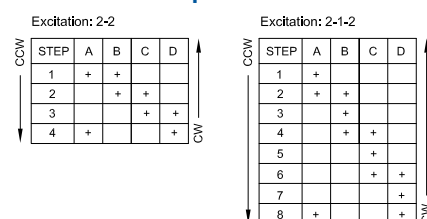
Dimension Unit = mm(in.)



Wiring Diagram



Excitation Sequence



Specifications

Model	Torque		Voltage	Current	Resistance	Inductance	Inertia	Bi/Unipolar	Weight	Length "L"	
	Ncm	oz.in	V/Phase	A/Phase	Ohm/Phase	mH/Phase	g.cm2	# of Leads	Kg	mm	in
23HS16-1006S	39	55.2	5.7	1	5.7	5.4	120	Uni (6)	0.45	41	1.6
23HS16-2006S	39	55.2	2.8	2	1.4	1.4	120	Uni (6)	0.45	41	1.6
23HS16-3006S	39	55.2	1.9	3	0.63	0.6	120	Uni (6)	0.45	41	1.6
23HS16-2804S	55	77.9	2	2.8	0.7	1.4	120	Bi (4)	0.45	41	1.6
23HS20-1006S	72	102.0	6.6	1	6.6	8.2	275	Uni (6)	0.65	51	2
23HS20-2006S	72	102.0	3.3	2	1.65	2.2	275	Uni (6)	0.65	51	2
23HS20-3006S	72	102.0	2.2	3	0.74	0.9	275	Uni (6)	0.65	51	2
23HS20-2804S	101	143.0	2.3	2.8	0.83	2.2	275	Bi (4)	0.65	51	2
23HS22-1006S	90	127.5	7.4	1	7.4	10	300	Uni (6)	0.7	56	2.2
23HS22-2006S	90	127.5	3.6	2	1.8	2.5	300	Uni (6)	0.7	56	2.2
23HS22-3006S	90	127.5	2.3	3	0.75	1.1	300	Uni (6)	0.7	56	2.2
23HS22-1504S	116	164.3	5.4	1.5	3.6	17	275	Bi (4)	0.7	56	2.2
23HS22-2804S	126	178.4	2.5	2.8	0.9	2.5	300	Bi (4)	0.7	56	2.2
23HS30-1006S	135	191.2	8.6	1	8.6	14	480	Uni (6)	1	76	30
23HS30-2006S	135	191.2	4.5	2	2.25	3.6	480	Uni (6)	1	76	30
23HS30-3006S	135	191.2	3	3	1	1.6	480	Uni (6)	1	76	30
23HS30-2804S	189	267.6	3.2	2.8	1.13	3.6	480	Bi (4)	1	76	30
23HS33-1508S	160	226.6	7.5	1.5	5	10	530	Bi (8)	1.13	84	33
23HS33-4008S	200	283.2	3.2	4	0.8	1.8	530	Bi (8)	1.13	84	33
23HS41-3006S	180	254.9	3.3	3	1.1	3.2	680	Uni (6)	1.25	104	4.1
23HS41-1804S	240	339.9	4.95	1.8	2.75	17	680	Bi (4)	1.25	104	4.1
23HS45-4208S	195	276.1	4.2	4.2	1	2.3	810	Bi (8)	1.55	115	4.5
23HS45-3004S	250	354.0	6.3	3	2.1	9	810	Bi (4)	1.55	115	4.5

* Specify -S for Single Shaft; -D for Double Shaft * All motor's specifications are based on full-step constant current operation