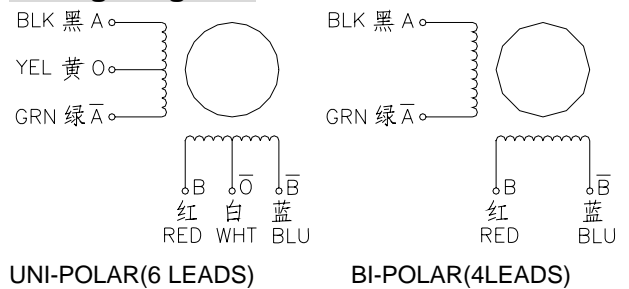


# 2 Phase Hybrid Stepper Motor 23HY series-Size 57mm(1.8 degree)


**Wiring Diagram:**

**Electrical Specifications:**

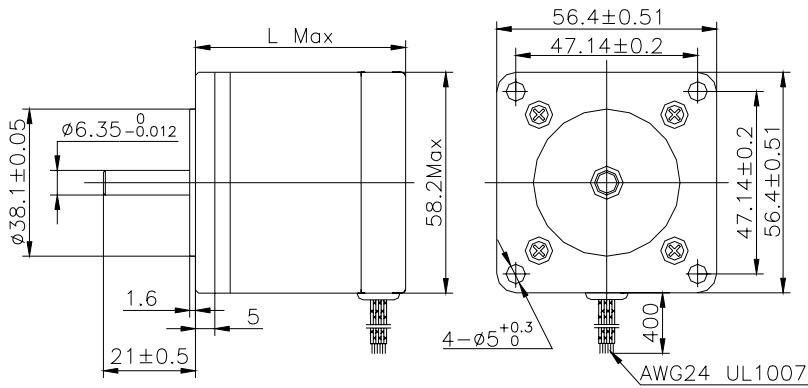
Series Model	Step Angle (deg)	Motor Length (mm)	Rated Current (A)	Phase Resistance (ohm)	Phase Inductance (mH)	Holding Torque (N.cm Min)	Detent Torque (N.cm Max)	Rotor Inertia (g.cm <sup>2</sup> )	Lead Wire (No.)	Motor Weight (g)
23HY4607	1.8	41	0.38	32	30	30	3.5	60	6	450
23HY4455	1.8	41	1.55	1.8	3.5	22	3.5	60	4	450
23HY4456	1.8	41	2.1	0.8	1.4	32	3.5	60	4	450
23HY4656	1.8	41	1.5	1.5	1.4	24	3.5	60	6	450
23HY5607	1.8	51	0.38	32	28	38	5.5	118	6	600
23HY5666	1.8	51	0.85	7.1	8.5	45	5.5	118	6	600
23HY5627	1.8	51	1.4	2.5	32	45	5.5	118	6	600
23HY5481	1.8	51	1.4	2.5	6.2	62	5.5	118	6	600
23HY5460	1.8	51	2.0	1.3	3.2	62	5.5	118	4	600
23HY6684	1.8	56	0.6	20	20	60	6.5	145	6	650
23HY6669	1.8	56	1.2	5.0	6.8	60	6.5	145	6	650
23HY6659	1.8	56	1.6	5.2	30	60	6.5	145	6	650
23HY6609	1.8	56	2.4	1.0	1.2	60	6.5	145	6	650
23HY6496	1.8	56	2.5	1.2	3.0	80	6.5	145	4	650
23HY7406	1.8	76	4.2	0.6	1.4	110	6.5	145	4	800
23HY7407	1.8	76	2.1	2.2	6.2	110	9.5	230	6	800
23HY7408	1.8	76	3.6	0.8	2.2	110	9.5	230	4	800

\*Note: We can manufacture products according to customer's requirements.

MotionKing (China) Motor Industry Co., Ltd.

**Dimensions: unit=mm**

**Motor Length:**



Model	Length
23HY4XXX	41 mm
23HY5XXX	51 mm
23HY6XXX	56 mm
23HY7XXX	76 mm