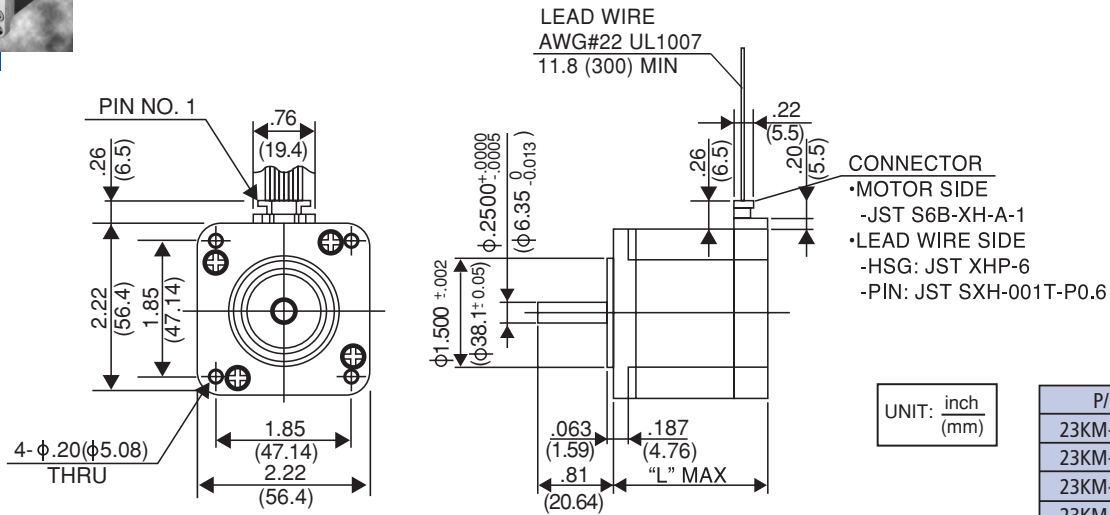
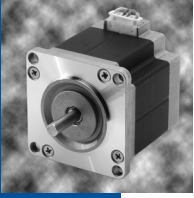


HIGH TORQUE MICROSTEP



P/N	"L"
23KM-K2XX	1.65 (42)
23KM-K3XX	1.97 (50)
23KM-K0XX	2.13 (54)
23KM-K1XX	2.64 (67)
23KM-K7XX	2.99 (76)

PIN NO. VS PHASE

A	A COM	\bar{A}	B	B COM	\bar{B}
RED	BLK	YEL	BLU	WHT	ORG
6	5	4	3	2	1

Model Specifications

Model Number	Step Angle	Drive Sequence	Rated Current/Wdg	Winding Resistance	Holding Torque	Inductance	Rotor Inertia	Detent Torque	Weight
	Degrees		Amps	Ohms	Nm (kg-cm)	mH	kg-cm ²	Nm (g-cm)	g
23KM-K250V	1.8°	UNIPOLAR	1.5	2.2	0.392 (4.0)	3.1	0.150	0.0196 (200)	470
23KM-K255V	1.8°	BIPOLAR	1.5	2.2	0.460 (4.7)	4.5	0.150	0.0196 (200)	470
23KM-K213V	1.8°	UNIPOLAR	2.0	1.25	0.392 (4.0)	1.9	0.150	0.0196 (200)	470
23KM-K263V	1.8°	BIPOLAR	2.0	1.25	0.460 (4.7)	3.6	0.150	0.0196 (200)	470
23KM-K379V	1.8°	UNIPOLAR	1.5	2.7	0.578 (5.9)	4.2	0.230	0.0294 (300)	590
23KM-K380V	1.8°	BIPOLAR	1.5	2.7	0.636 (6.5)	6.0	0.230	0.0294 (300)	590
23KM-K307V	1.8°	UNIPOLAR	2.0	1.5	0.578 (5.9)	2.4	0.230	0.0294 (300)	590
23KM-K308V	1.8°	BIPOLAR	2.0	1.5	0.636 (6.5)	3.8	0.230	0.0294 (300)	590
23KM-K032V	1.8°	UNIPOLAR	1.5	3.4	0.734 (7.5)	6.4	0.280	0.0392 (400)	680
23KM-K040V	1.8°	BIPOLAR	1.5	3.4	0.832 (8.5)	8.8	0.280	0.0392 (400)	680
23KM-K033V	1.8°	UNIPOLAR	3.0	0.85	0.734 (7.5)	2.4	0.280	0.0392 (400)	680
23KM-K043V	1.8°	BIPOLAR	3.0	0.85	0.832 (8.5)	3.8	0.280	0.0392 (400)	680
23KM-K101V	1.8°	UNIPOLAR	3.0	0.95	1.03 (10.5)	1.8	0.400	0.0488 (500)	900
23KM-K102V	1.8°	BIPOLAR	3.0	0.95	1.175 (12.0)	2.5	0.400	0.0488 (500)	900
23KM-K732V	1.8°	UNIPOLAR	1.5	4.2	1.175 (12.0)	8.0	0.440	0.0588 (600)	1050
23KM-K740V	1.8°	BIPOLAR	1.5	4.2	1.322 (13.5)	12.5	0.440	0.0588 (600)	1050
23KM-K733V	1.8°	UNIPOLAR	3.0	1.05	1.175 (12.0)	3.8	0.440	0.0588 (600)	1050
23KM-K743V	1.8°	BIPOLAR	3.0	1.05	1.322 (13.5)	5.6	0.440	0.0588 (600)	1050