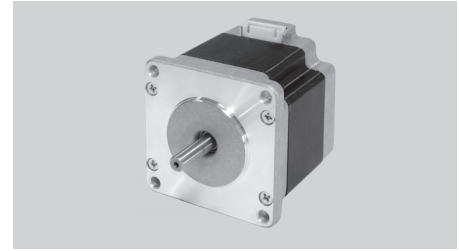


24HC SERIES 1.2°

Key Features

- Very Low Noise
- Very Smooth Movement
- Low Vibration



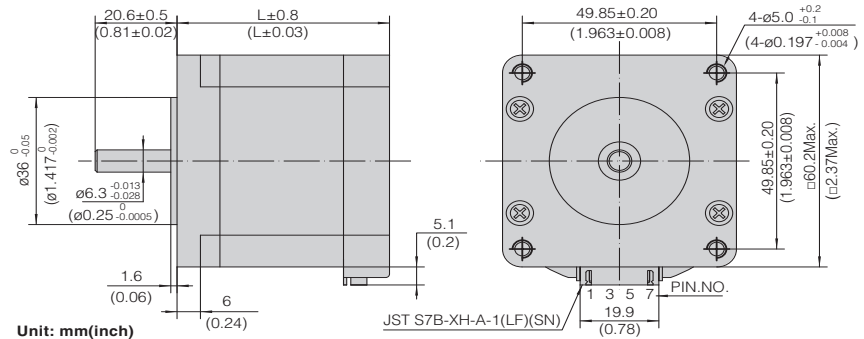
General Specifications

Series & Length	Model Number	Holding Torque		Rated Current	Resistance per Phase	Inductance per Phase	Detent Torque		Rotor Inertia	
		mN.m	oz-in	A	ohm	mH	mN.m	oz-in	g.cm ²	oz-in ²
24HC4 45.5 mm (1.79 in.)	24HC4001-01	540	76.53	1.5	6	10.2	25	3.54	180	0.99
24HC2 54.5 mm (2.15 in.)	24HC2002-01	800	113.4	1.5	4.8	11.4	40	5.67	260	1.43
24HC3 76.5 mm (3.01 in.)	24HC3001-01	1100	155.9	1.5	3	11.6	70	9.92	460	2.53

- Wiring Connection, Lead Wires, Schematic Diagrams & Stepping Sequence.....Page 62 - 64

Mechanical Dimension

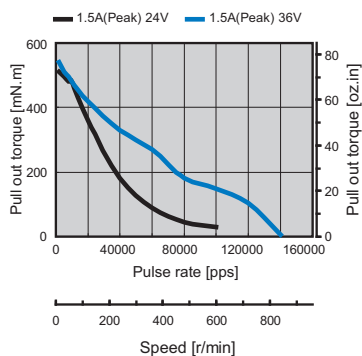
Model Number	L	Mass
	mm (in.)	kg (lb.)
24HC4	45.5 (1.79)	0.5 (1.10)
24HC2	54.5 (2.15)	0.8 (1.76)
24HC3	76.5 (3.01)	1.3 (2.87)



Dynamic Torque Curves

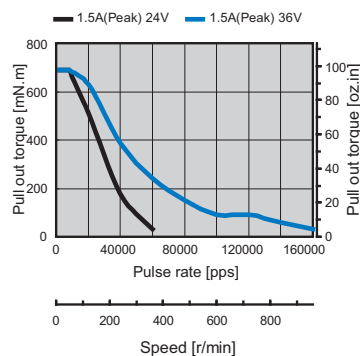
24HC4001-01

Conditions: 3-Phase Constant Current Driver
Driver: Moons' MS3ST10
Mode: 10000 Step/Rev



24HC2002-01

Conditions: 3-Phase Constant Current Driver
Driver: Moons' MS3ST10
Mode: 10000 Step/Rev



24HC3001-01

Conditions: 3-Phase Constant Current Driver
Driver: Moons' MS3ST10
Mode: 10000 Step/Rev

