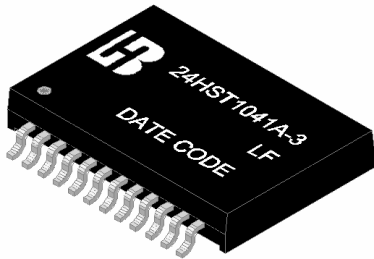


# 1000 BASE –T MAGNETICS MODULES

## P/N: 24HST1041A-3 LF DATA SHEET

### Feature

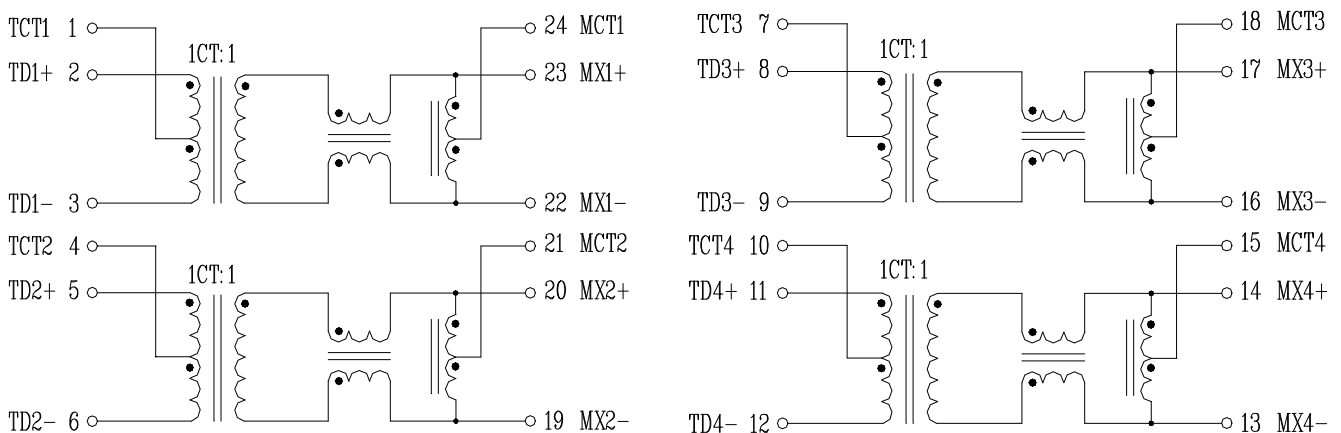


- Designed for long haul gigabit Ethernet 1000 BASE-T, full duplex applications.
- Supports 4 pairs of category 5 UTP cable.
- Cable interface for isolation and low common mode emissions.
- Compliant with IEEE 802.3ab standard for 1000 BASE-T.
- Comply with ROHS & Halogen Free requirements.
- Operating temperature range: 0°C to +70°C.
- Storage temperature range: -25°C to +125°C.

Electrical Specifications @ 25°C							
Part Number	Turns Ratio (±5%)		OCL (uH Min) @ 100KHz/0.1V with 8mA DC Bias	Cross talk Attenuation (dB Min)			HI-POT (Vrms)
	TX	RX		30MHz	60MHz	100MHz	
24HST1041A-3 LF	1CT:1	1CT:1	350	-45	-40	-35	1500

Continue									
Part Number	Insertion Loss (dB Max)	Return Loss (dB Min)@Load 100Ω					DCMR (dB Min)		
		1-100MHz	1-30MHz	40MHz	50MHz	60-80MHz	100MHz	30MHz	60MHz
24HST1041A-3 LF	-1.0	-18	-14.4	-13.1	-12	-10	-43	-37	-33

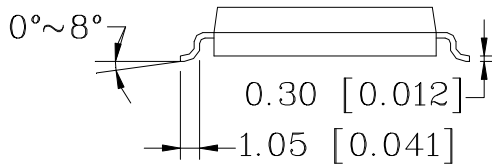
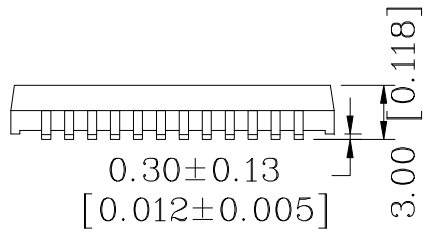
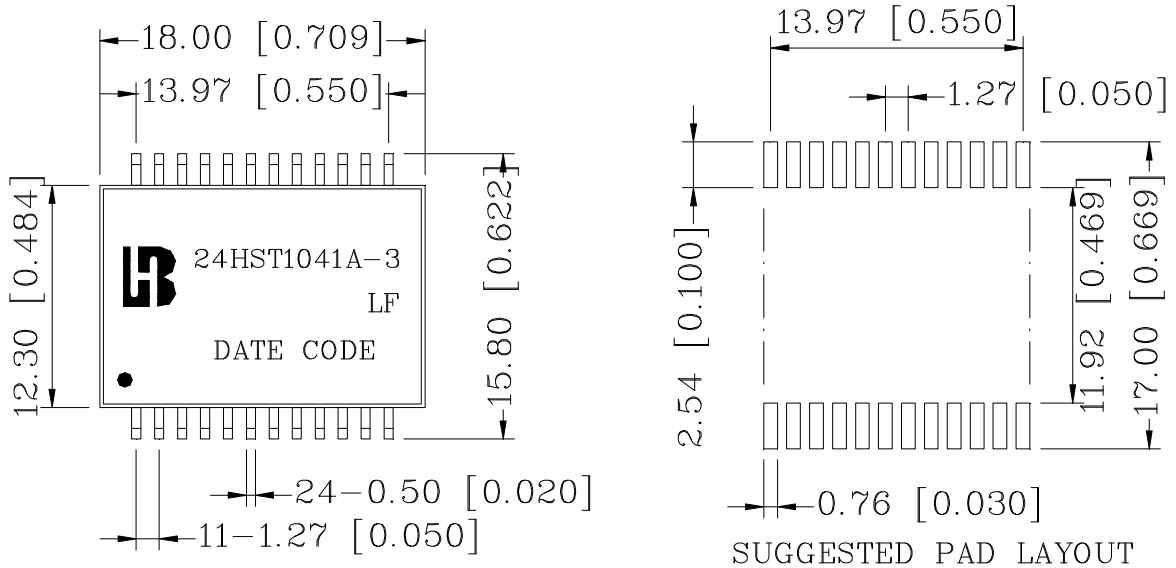
### Schematic



# 1000 BASE -T MAGNETICS MODULES

## P/N: 24HST1041A-3 LF DATA SHEET

### Mechanical



Units: mm [Inches] Tolerances: xx.x0 ± 0.25 [0.010]

0.xx ± 0.05 [0.002]