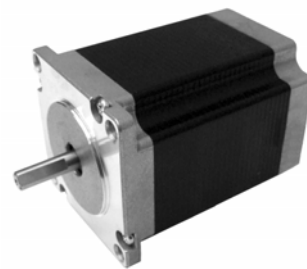


60mm(2.36in.)

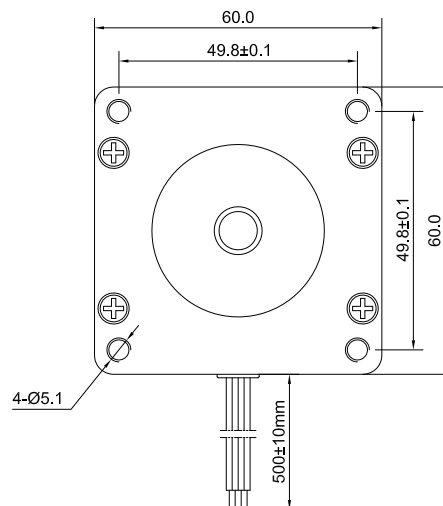
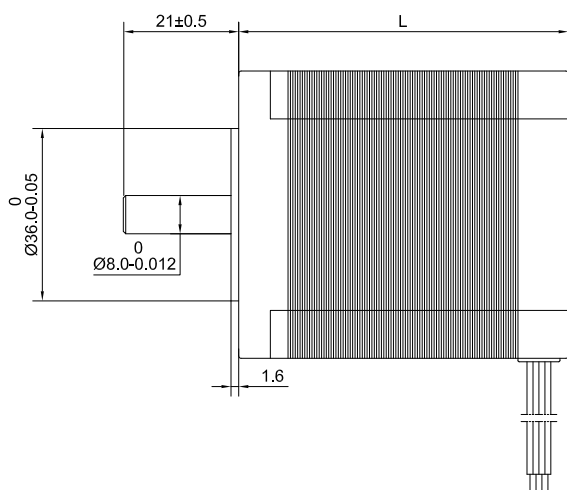
Step Angle 1.2° 24HT 3-Phase Type

Common Rating

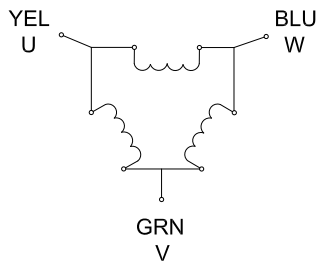
Item	Specification
Step Angle Accuracy	±5% (full step, no load)
Temperature Rise	80°C Max. (rated current, 2 phase on)
Ambient Temperature	-10°C ~ +50°C
Insulation Resistance	100MΩ Min. 500VDC
Dielectric Strength	500VAC for one minute



Dimension Unit = mm(in.)



Wiring Diagram



Excitation Sequence

STEP	1	2	3	4	5	6
U	+		-	-		+
V	-	-		+	+	
W		+	+		-	-

Specifications

Model	Torque		Voltage	Current	Resistance	Inductance	Inertia	Bi/Unipolar	Weight	Length "L"	
	Ncm	oz.in	V/Phase	A/Phase	Ohm/Phase	mH/Phase	g.cm2	# of Leads	Kg	mm	in
24HT17-1703S	45	63.7	7	1.7	4.1	7.4	170	Bi (3)	0.5	42	1.65
24HT18-1503S	54	76.5	9	1.5	6	10	190	Bi (3)	0.55	45	1.77
24HT18-1703S	80	113.3	9.18	1.7	5.4	7.5	190	Bi (3)	0.55	45	1.77
24HT22-2803S	65	92.0	4.2	2.8	1.5	2	280	Bi (3)	0.7	56	2.20
24HT22-2003S	66	93.5	3	2	1.5	3.5	280	Bi (3)	0.7	56	2.20
24HT22-1503S	82	116.1	7.2	1.5	4.8	10	280	Bi (3)	0.7	56	2.20
24HT30-2503S	130	184.1	8	2.5	3.2	5.8	440	Bi (3)	1.1	76	2.99
24HT33-3003S	156	220.9	2.1	3	0.7	2	530	Bi (3)	0.9	85	3.35
24HT35-5203S	170	240.7	1.72	5.2	0.33	0.55	570	Bi (3)	1.25	90	3.54

* Specify -S for Single Shaft; -D for Double Shaft * All motor's specifications are based on full-step constant current operation