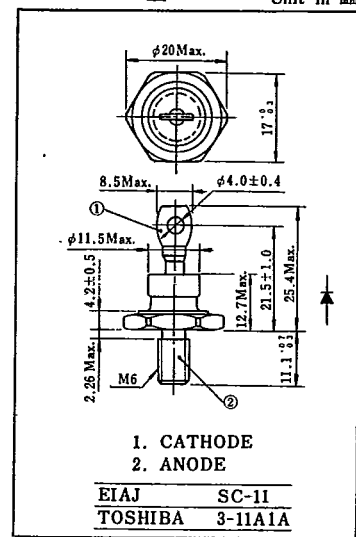


25QF11

1200V 25A

MAXIMUM RATINGS

| CHARACTERISTIC | SYMBOL | RATING | UNIT |
|--|-------------|-----------|------------|
| Repetitive Peak Reverse Voltage | 25LF11 | 800 | V |
| | 25NF11 | 1000 | |
| | 25QF11 | 1200 | |
| Peak Reverse Power Dissipation ($t_W=10\mu s$) $T_a=25^\circ C$ | P_{RSM} | 12 | kW |
| Average Forward Current ($T_c=135^\circ C$) | $I_{F(AV)}$ | 25 | A |
| Peak One Cycle Surge Forward Current (Non-Repetitive) | I_{FSM} | 500(50Hz) | A |
| Junction Temperature | T_j | -40~175 | $^\circ C$ |
| Storage Temperature Range | T_{stg} | -40~175 | $^\circ C$ |
| Stud Torque | | 30 | kgcm |

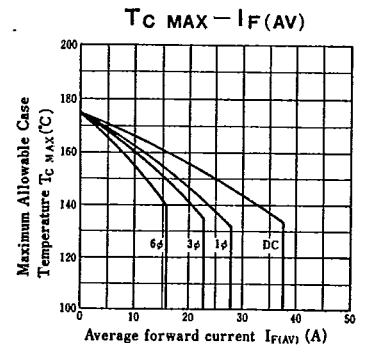


AC32 is furnished as an accessory.

ELECTRICAL CHARACTERISTICS

| CHARACTERISTIC | SYMBOL | CONDITION | MIN. | MAX. | UNIT |
|-----------------------------------|---------------|---|------|------|--------------|
| Avalanche Break Breakdown Voltage | 25LF11 | $I_{RRM}=5mA, T_a=25^\circ C$ | 1000 | 1300 | V |
| | 25NF11 | | 1250 | 1550 | |
| | 25QF11 | | 1500 | 1900 | |
| Peak Forward Voltage | V_{FM} | $I_{FM}=100A, T_a=25^\circ C$ | - | 1.38 | V |
| Repetitive Peak Reverse Current | 25LF11 | $T_j=175^\circ C$ $V_{RRM}=\text{Rated}$ | - | 3.0 | mA |
| | 25NF11 | | - | 2.5 | |
| | 25QF11 | | - | 2.0 | |
| Thermal Resistance (Note 1) | $R_{th(j-c)}$ | DC | - | 1.0 | $^\circ C/W$ |

- Notes : 1. Junction to Case.
2. At the series operation parallel capacitors(0.01 μF) to the device are recommended to attach.
3. Consider the heat radiation including reverse power dissipation.

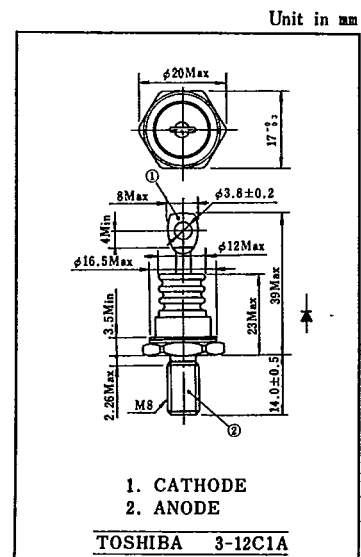


25FXF12

3000V 25A

MAXIMUM RATINGS

| CHARACTERISTIC | SYMBOL | RATING | UNIT |
|--|-------------|-----------|------------|
| Repetitive Peak Reverse Voltage | V_{RRM} | 3000 | V |
| Peak Reverse Power Dissipation ($t_W=10\mu s$) $T_a=25^\circ C$ | R_{RSM} | 8 | kW |
| Average Forward Current ($T_c=140^\circ C$) | $I_{F(AV)}$ | 25 | A |
| Peak One Cycle Surge Forward Current (Non-Repetitive) | I_{FSM} | 500(50Hz) | A |
| Junction Temperature | T_j | -40~175 | $^\circ C$ |
| Storage Temperature Range | T_{stg} | -40~175 | $^\circ C$ |
| Stud Torque | | 50 | kgcm |



AC56 is furnished as an accessory.

電気的特性

| CHARACTERISTIC | SYMBOL | CONDITION | MIN. | MAX. | UNIT |
|-----------------------------------|---------------|---|------|------|--------------|
| Avalanche Break Breakdown Voltage | V_Z | $I_{RRM}=5mA, T_a=25^\circ C$ | 3300 | 4200 | V |
| Peak Forward Voltage | V_{FM} | $I_{FM}=80A, T_a=25^\circ C$ | - | 1.70 | V |
| Repetitive Peak Reverse Current | I_{RRM} | $V_{RRM}=\text{Rated}, T_j=175^\circ C$ | - | 7.0 | mA |
| Thermal Resistance (Note 1) | $R_{th(j-c)}$ | DC | - | 0.55 | $^\circ C/W$ |

- Notes : 1. Junction to Case.
2. At the series operation parallel capacitors(0.01 μF) to the device are recommended to attach.
3. Consider the heat radiation including reverse power dissipation.

