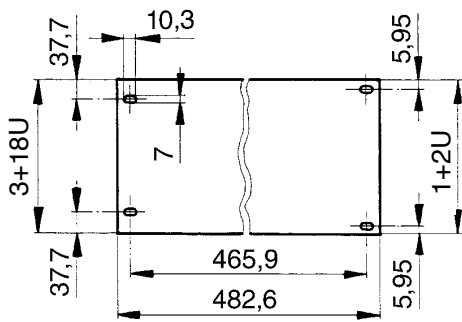


Front panels

19" front panels

19" front/rear panels, unperforated



Clear anodized (aluminum 3 mm)

	Height		Part No.
1U	43.6 mm	1.71"	20-101
2U	88.1 mm	3.46"	20-102
3U	132.5 mm	5.21"	20-103
4U	177.0 mm	6.96"	20-104
5U	221.5 mm	8.72"	20-105
6U	266.0 mm	10.47"	20-106
7U	310.5 mm	12.22"	20-107
8U	355.0 mm	13.97"	20-108
9U	399.0 mm	15.70"	20-109
10U	443.5 mm	17.46"	20-110
12U	532.5 mm	20.96"	20-112

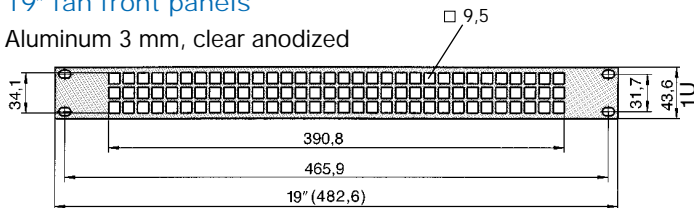
Light grey RAL 7035 (aluminum 3 mm)

	Height		Part No.
1U	43.6 mm	1.71"	20-101-30
2U	88.1 mm	3.46"	20-102-30
3U	132.5 mm	5.21"	20-103-30
4U	177.0 mm	6.96"	20-104-30
5U	221.5 mm	8.72"	20-105-30
6U	266.0 mm	10.47"	20-106-30

Rear conductive

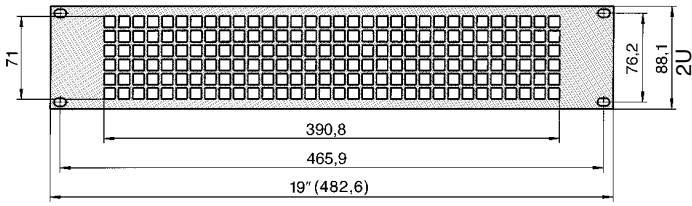
19" fan front panels

Aluminum 3 mm, clear anodized

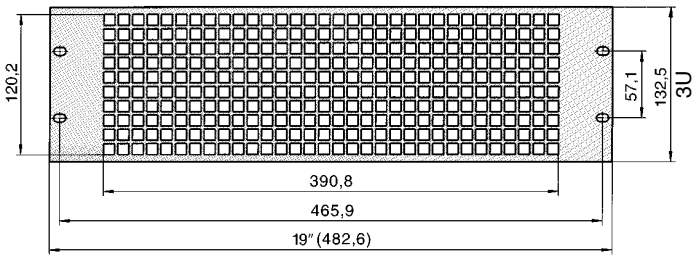


	Height	Air passage	Part No.
1U	43.6 mm 1.71"	8643 mm ² 13.39 sq. in.	20-101-01

Front panels

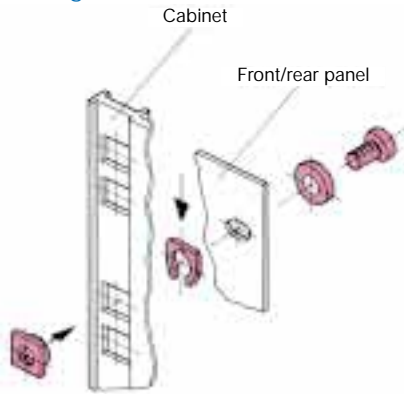


	Height	Air passage	Part No.
2U	88.1 mm 3.46"	17286 mm ² 26.79 sq. in.	20-102-01



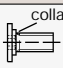
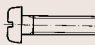



	Height	Air passage	Part No.
3U	132.5 mm 5.21"	28811 mm ² 44.65 sq. in.	20-103-01

Fixing material



Description	Packing unit	Part No.
Screw set M6 x 12	12 pcs.	49-904

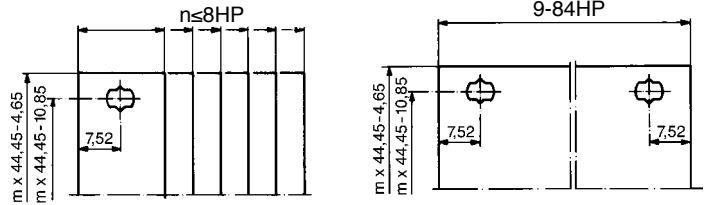
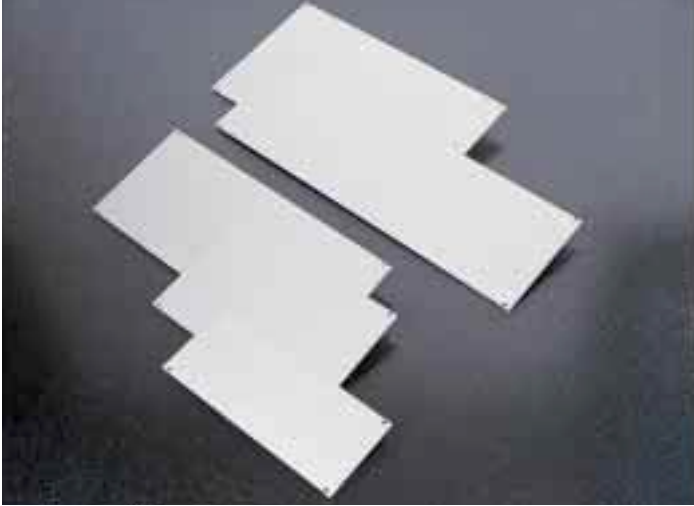
Single items

Part		Size	Packing unit	Part No.
Special low-head allen screw	 collar Ø 8.2 x 1.3	M6 x 15	100 pcs.	63-357
Slotted pan-head screw DIN 85A		M6 x 8	100 pcs.	1901-51
		M6 x 12	100 pcs.	1901-52
Plastic locating washer		M6	100 pcs.	63-090
Retainer		M6	100 pcs.	63-091
Inset nut		M6	100 pcs.	63-092

Front panels

Flat front panels

Flat front panels for sub-racks and enclosures, unperforated
Aluminum 2.5 mm, clear anodized (non conductive)



Width	B (mm)	B (inch)	1U	ca. 1U*	2U	Height		4U	5U	6U	7U	8U	9U
			(39.8 mm) 1.56"	(42.15 mm) 1.65"	(84.2 mm) 3.31"	3U (128.7 mm) 5.06"	(173.1 mm) 6.81"	(217.6 mm) 8.56"	(262.0 mm) 10.31"	(306.5 mm) 12.06"	(350.95 mm) 13.81"	(395.4 mm) 15.56"	
1HP	5.0	0.19				66-115-21				66-115-25			66-115-26
2HP	10.0	0.39				66-107-44	66-107-45			66-107-47			66-107-49
3HP	15.2	0.59				21N303	21N403			21N603			
4HP	20.1	0.79				21N304	21N404			21N604			21N904
5HP	25.2	0.99				21N305	21N405			21N605			
6HP	30.3	1.19				21N306	21N406			21N606			
7HP	35.3	1.38				21N307	21N407			21N607			
8HP	40.4	1.59				21N308	21N408			21N608			
9HP	45.5	1.79											
10HP	50.6	1.99				21N310	21N410			21N610			
11HP	55.7	2.19				21N311							
12HP	60.7	2.38				21N312	21N412			21N612			
14HP	70.9	2.79				21N314	21N414			21N614			
16HP	81.1	3.19				21N316	21N416			21N616			
18HP	91.2	3.59											
19HP	96.3	3.79											
20HP	101.4	3.99				21N320	21N420			21N620			
21HP	106.5	4.19				21N321				21N621			
28HP	142.0	5.59				21N328				21N628			
30HP	152.2	5.99				21N330							
32HP	162.3	6.38				21N332	21N432						
33HP	167.4	6.59											
36HP	182.7	7.19											
37HP	187.7	7.38											
40HP	203.0	7.99				21N340							
42HP	213.1	8.38			21N242	21N342	21N442	21N542	21N642				
43HP	218.2	8.59											
50HP	253.8	9.99											
51HP	258.8	10.18											
52HP	263.9	10.38				21N352	21N452			21N652			
54HP	274.1	10.79											
58HP	294.4	11.59											
60HP	304.6	11.99				21N360							
63HP	319.8	12.59			21N263	21N363	21N463	21N563	21N663				
68HP	345.2	13.59											
81HP	411.3	16.19			21N281	21N381	21N481	21N581	21N681				
84HP	426.5	16.79	21N184	21N084*	21N284	21N384	21N484	21N584	21N684	21N784	21N884	21N984	

* Cover plates for 1U fan opening

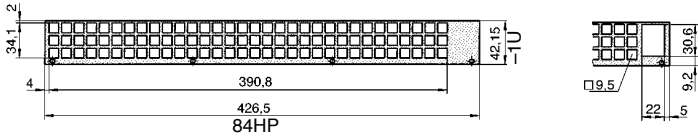
Fixing material has to be ordered separately (page 128-131)

1 mm = 0.0394 inch, 1 inch = 25.4 mm

Front panels

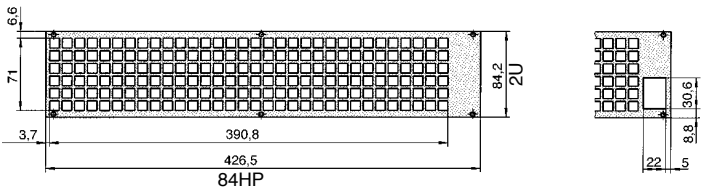
Fan front panels 84HP for vertical ventilation

Aluminum 2.5 mm, clear anodized (non conductive)



	Height	Width	Air passage		Part No.
			mm ²	sq. in.	
without switch opening	~1U	84HP	8664	13.42	21N084-01
with switch opening	~1U	84HP	8664	13.42	21N084-02

Fixing material has to be ordered separately (page 128–131)

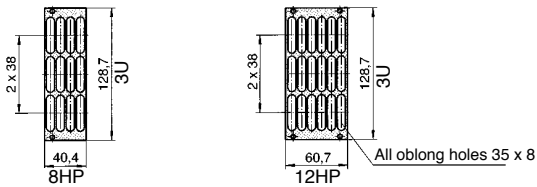


	Height	Width	Air passage		Part No.
			mm ²	sq. in.	
without switch opening	2U	84HP	17328	26.85	21N284-01
with switch opening	2U	84HP	17328	26.85	21N284-02

Fixing material has to be ordered separately (page 128–131)

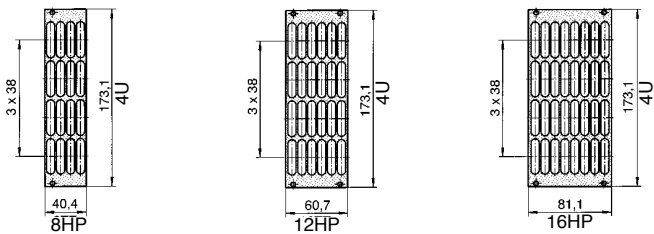
Fan front panel for horizontal ventilation

Aluminum 2.5 mm, clear anodized (non conductive)



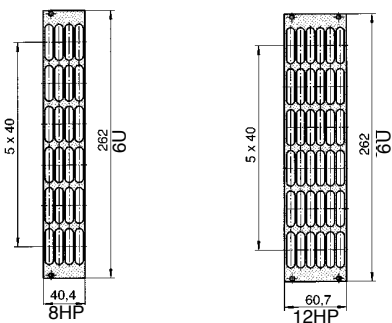
Height	Width	Air passage		Part No.
		mm ²	sq. in.	
3U	8HP	3195	4.95	21N308-01
3U	12HP	4793	7.42	21N312-01

Fixing material has to be ordered separately (page 128–131)



Height	Width	Air passage		Part No.
		mm ²	sq. in.	
4U	8HP	4260	6.60	21N408-01
4U	12HP	6390	9.90	21N412-01
4U	16HP	8520	13.20	21N416-01

Fixing material has to be ordered separately (page 128–131)



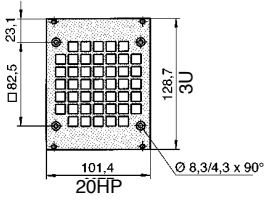
Height	Width	Air passage		Part No.
		mm ²	sq. in.	
6U	8HP	6390	9.90	21N608-01
6U	12HP	9586	14.85	21N612-01

Fixing material has to be ordered separately (page 128–131)

Front panels

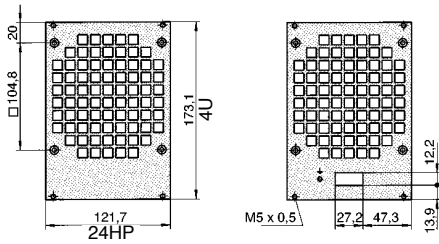
Fan front panels for direct fan mounting

Aluminum 2.5 mm, clear anodized (non conductive)



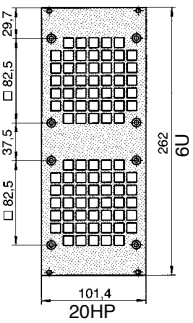
	Height	Width	Air passage mm ² sq. in.	Part No.
without switch opening	3U	20HP	4051 6.27	21N320-04

Fixing material has to be ordered separately (page 128–131)



	Height	Width	Air passage mm ² sq. in.	Part No.
without switch opening	4U	24HP	7022 10.88	21N424-03
with switch opening	4U	24HP	7022 10.88	21N424-04

Fixing material has to be ordered separately (page 128–131)

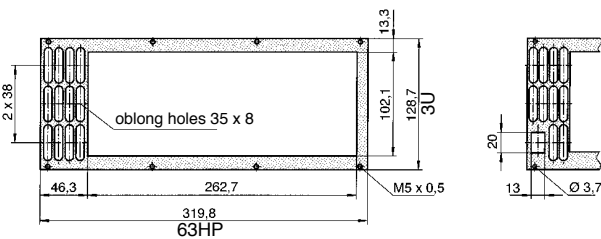


	Height	Width	Air passage mm ² sq. in.	Part No.
without switch opening	6U	20HP	8103 12.55	21N620-04

Fixing material has to be ordered separately (page 128–131)

Fan front panels for horizontal mounting kits

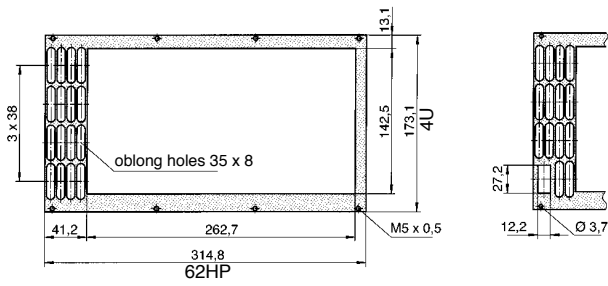
Aluminum 2.5 mm, clear anodized (non conductive)



	Height	Width	Air passage mm ² sq. in.	Part No.
without switch opening	3U	63HP	3195 4.95	21N363-07
with switch opening	3U	63HP	2662 4.12	21N363-02

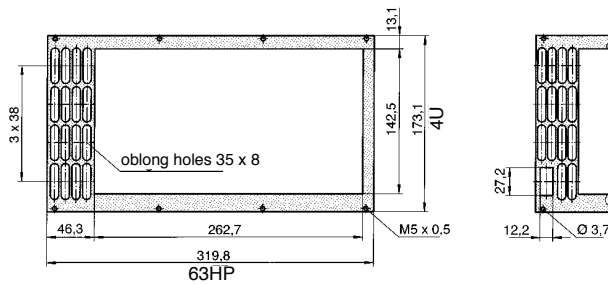
Fixing material has to be ordered separately (page 128–131)

Front panels



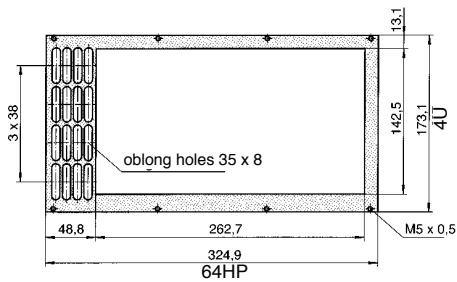
	Height	Width	Air passage		Part No.
			mm ²	sq. in.	
without switch opening	4U	62HP	4260	6.60	21N462-01
with switch opening	4U	62HP	3727	5.77	21N462-02

Fixing material has to be ordered separately (page 128-131)



	Height	Width	Air passage		Part No.
			mm ²	sq. in.	
without switch opening	4U	63HP	4260	6.60	21N463-07
with switch opening	4U	63HP	3727	5.77	21N463-02

Fixing material has to be ordered separately (page 128-131)

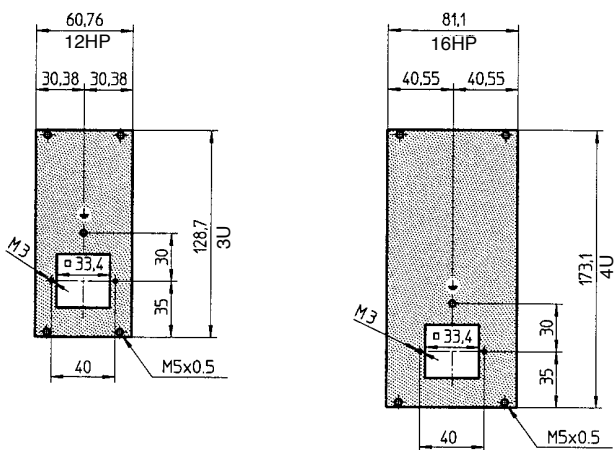


	Height	Width	Air passage		Part No.
			mm ²	sq. in.	
without switch opening	4U	64HP	4260	6.60	21N464-07

Fixing material has to be ordered separately (page 128-131)

Part front panels with opening for mains filter

Aluminum 2.5 mm, clear anodized (non conductive)



Height	Width	Part No.
3U	12HP	21N312-06
4U	16HP	21N416-06

Fixing material has to be ordered separately (page 128-131)

Front panels

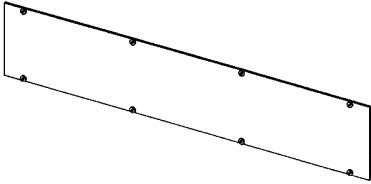
EMC flat front panels

EMC flat front panels covering case width

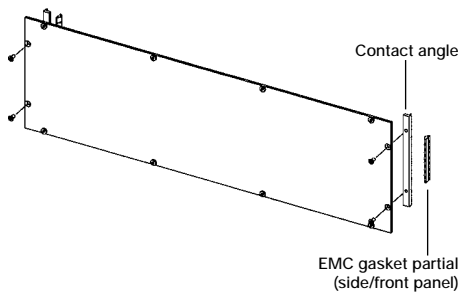
Aluminum 2.5 mm

Advanced shielding efficiency

1U – 3U

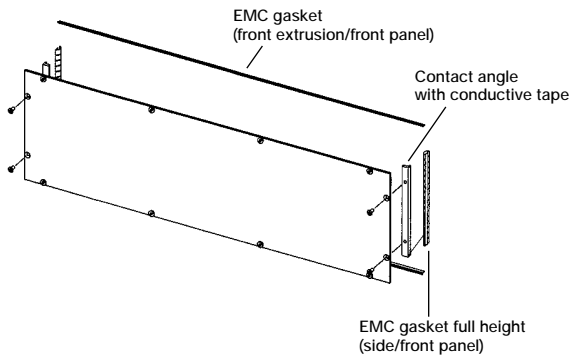


4U + 6U

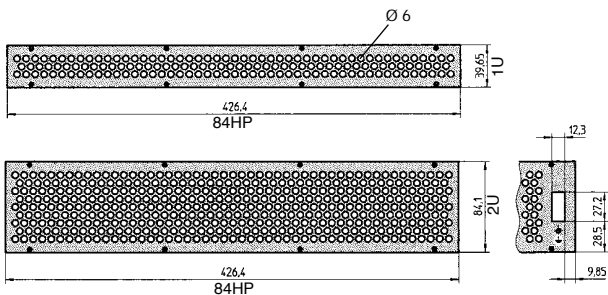


Superior shielding efficiency

2U – 6U



Perforated EMC front panel covering case width



Advanced EMC level

Front anodized, rear conductive

Width	1U	2U	3U	4U	6U
42HP	-	21C242	21C342	-	-
63HP	-	21C263	21C363	21C463	-
84HP	21C184	21C284	21C384	21C484	21C684

incl. EMC gaskets where necessary

Fixing material has to be ordered separately (page 128–131)

42HP = 4 screws
63HP = 6 screws
84HP = 8 screws

Superior EMC level

Front anodized, rear conductive

Width	1U	2U	3U	4U	6U
42HP	-	21D242	21D342	-	-
63HP	-	21D263	21D363	21D463	-
84HP	-	21D284	21D384	21D484	21D684

incl. EMC gaskets

Fixing material has to be ordered separately (page 128–131)

42HP = 4 screws
63HP = 6 screws
84HP = 8 screws

Advanced EMC level

Front anodized, rear conductive

Height	Width	Air passage	Switch opening	
			without	with
1U (39.65 mm)	84HP	41 cm ²	21C184-01	-
2U (84.1 mm)	84HP	123/117 cm ²	21C284-01	21C284-02

Fixing material has to be ordered separately (page 128–131)

84HP = 8 screws

Front panels

EMC front panel sections

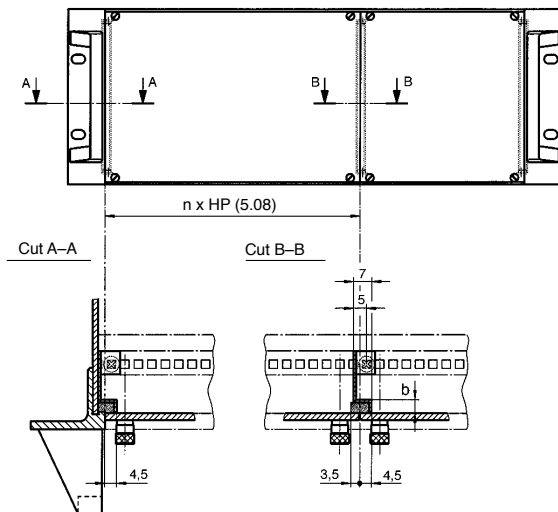
Aluminum 2.5 mm, front anodized, rear conductive
incl. press-in bush M2.5
without EMC gaskets

Width	Height		
	3U (128.7 mm)	4U (173.1 mm)	6U (262.0 mm)
4HP	21B304	-	-
10HP	21B310	-	-
12HP	21B312	-	-
16HP	21B316	-	-
21HP	21B321	-	-
42HP	21B342	21B442	-
63HP	21B363	-	-
84HP	21B384	21B484	21B684

Fixing material has to be ordered separately (page 128-131)

4HP = 2 screws
10HP, 12HP, 16HP, 21HP = 4 screws
42HP = 6 screws
63HP = 8 screws
84HP = 10 screws

Spacer for EMC front panel sections



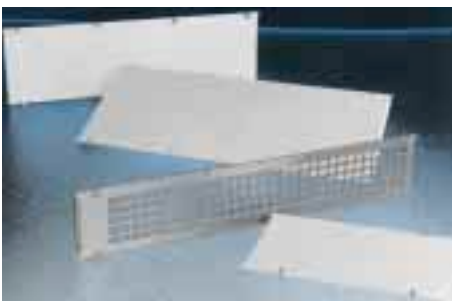
Advanced EMC level

Part	Part No.
3U, EMC spacer	81-023
4U, EMC spacer	81-024
6U, EMC spacer	81-026

complete incl. gasket and fixing material

EMC front/rear panel with side stem

Aluminum 2.5 mm, front and rear alodine clear (conductive),
incl. EMC gasket on side



Unperforated, advanced EMC level

Height	Width		
	42HP	63HP	84HP
1U	-	-	21E184
2U	21E242	21E263	21E284
3U	21E342	21E363	21E384
4U	-	21E463	21E484
6U	-	-	21E684
7U	-	-	21E784

Fixing material has to be ordered separately (page 128-131)

Perforated, advanced EMC level

Height	Width	Air passage	Part No.
2U	84HP	14 000 mm ² 21.70 sq. in.	21E284-01
3U	84HP	25 200 mm ² 39.06 sq. in.	21E384-01

Fixing material has to be ordered separately (page 128-131)

Front panels

Top/bottom-hinged and side-hinged front panels

Top/bottom-hinged front panels



Aluminum version

d = 2.5 mm, clear anodized (non conductive)

Width	Height		
	3U	4U	6U
52HP	25N352-19	25N452-19	-
63HP	25N363-19	25N463-19	-
81HP	25N381-19	25N481-19	25N681-19
84HP	25N384-19	25N484-19	25N684-19

complete incl. fixing material M2.5

Acrylic glass version

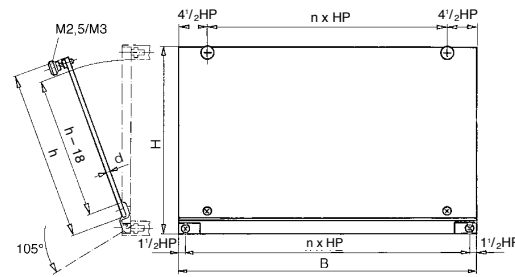
d = 3 mm

Width	Height		
	3U	4U	6U
63HP	25N363-18	25N463-18	-
84HP	25N384-18	25N484-18	25N684-18

complete incl. fixing material M2.5

Nominal size	Width B	
63HP	320.04 mm 12.80"	319.8 mm 12.79"
81HP	411.48 mm 16.45"	411.3 mm 16.45"
84HP	426.72 mm 17.00"	426.5 mm 17.06"

Nominal size	Height H		h	
3U	133.35 mm 5.34"	128.7 mm 5.15"	117 mm 4.68"	
4U	177.8 mm 6.99"	173.15 mm 6.93"	161.4 mm 6.45"	
6U	266.7 mm 10.67"	262.05 mm 10.48"	250.3 mm 10.00"	



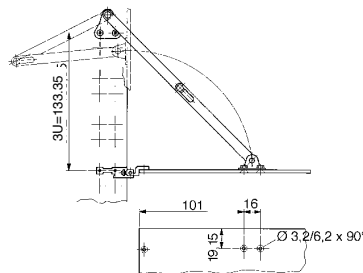
Strengthened top/bottom-hinged front panels

Aluminum 3 mm, clear anodized (non conductive)



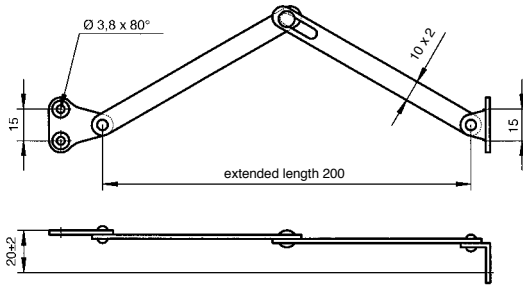
Height	Width	Part No.
4U	84HP	25N484-69
6U	84HP	25N684-69

complete incl. fixing material M3



Front panels

Panel stay



Description	Part No.
Set of panel stay complete (2 pcs. incl. fixing material)	63-242

Side-hinged front panels



Aluminum version

Clear anodized (non conductive)

d = 2.5 mm (3U, 4U, 6U), d = 3 mm (7U, 10U)

Width	Height				
	3U	4U	6U	7U	10U
42HP	25N342-29	-	-	-	-
63HP	25N363-29	-	-	-	-
84HP	25N384-29	25N484-29	25N684-29	25N784-29	25N084-29

complete incl. fixing material M2.5

Acrylic glass version

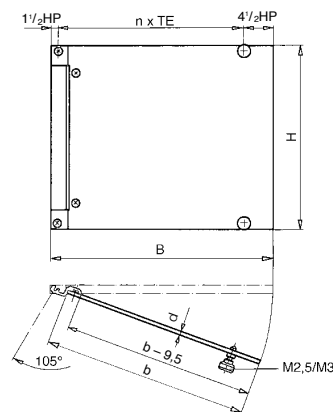
d = 3 mm

Width	Height				
	3U	4U	6U	7U	10U
84HP	25N384-28	25N484-28	25N684-28	25N784-28	-

complete incl. fixing material M2.5

Nominal size	Width B		b			
42HP	213.36 mm	8.53"	213.1 mm	8.52"	201 mm	8.04"
63HP	320.04 mm	12.80"	319.8 mm	12.80"	307.7 mm	12.30"
84HP	426.72 mm	17.07"	426.5 mm	17.00"	414.3 mm	16.57"

Nominal size	Height H			
3U	133.35 mm	5.34"	128.7 mm	5.20"
4U	177.8 mm	4.70"	173.15 mm	6.93"
6U	266.7 mm	10.67"	262.05 mm	10.48"
7U	311.15 mm	12.45"	306.5 mm	12.26"
10U	444.5 mm	17.80"	439.85 mm	17.60"



Front panels

EMC top/bottom-hinged and side-hinged front panels

EMC top/bottom-hinged front panel covering case width



Advanced EMC level

Aluminum 2.5 mm, front anodized, rear conductive

Width	3U	4U	6U
84HP	25C384-11	25C484-11	25C684-11

incl. fixing material M2.5 and EMC gaskets

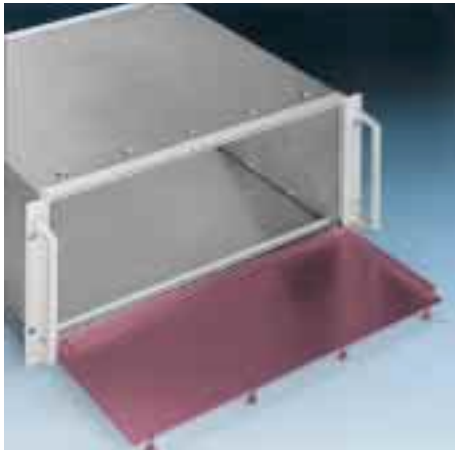
Superior EMC level

Aluminum 2.5 mm, front anodized, rear conductive

Width	3U	4U	6U
84HP	25D384-11	25D484-11	25D684-11

incl. fixing material M2.5 and EMC gaskets

EMC top/bottom-hinged front/rear panel with side stem



Advanced EMC level

Aluminum 2.5 mm, alodine clear (conductive)

Height	Width	Part No.
3U	84HP	25E384-11
4U	84HP	25E484-11
6U	84HP	25E684-11
7U	84HP	25E784-11

complete incl. fixing material M2.5 and EMC gaskets
on side and bottom

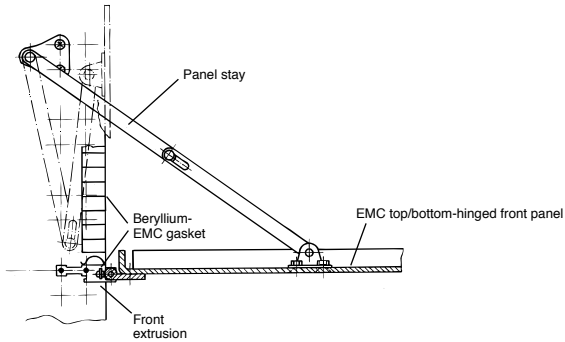
for superior EMC level

additional EMC gasket necessary on top

Part	Part No.
EMC gasket 84HP	7739-10

Front panels

Strengthened EMC top/bottom-hinged front/rear panel with side stem



Advanced EMC level

Aluminum 2.5 mm, clear alodine (conductive)

Height	Width	Part No.
6U	84HP	25E684-61
7U	84HP	25E784-61

complete incl. fixing material M3 and EMC gaskets on side and bottom

for superior EMC level

additional EMC gasket necessary on top

Part	Part No.
EMC gasket 84HP	7739-10

EMC side-hinged front/rear panel with side stem



Advanced EMC level

Aluminum 2.5 mm, clear alodine (conductive)

Height	Width	Part No.
7U	84HP	25E784-21

complete incl. fixing material M2.5 and EMC gaskets on side

for superior EMC level

additional EMC gasket necessary on top

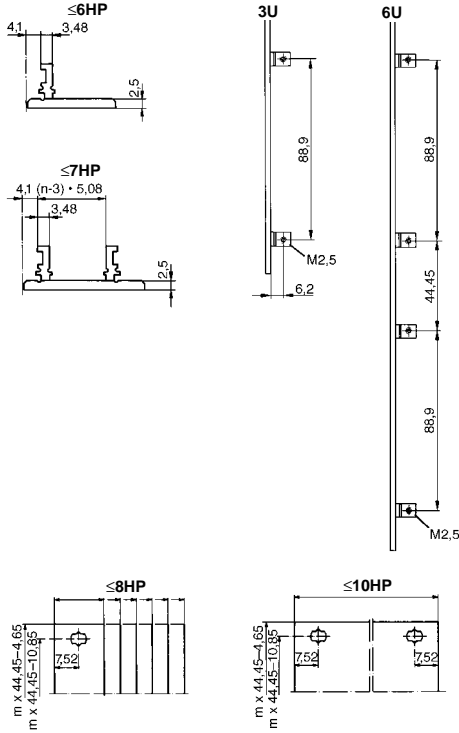
Part	Packing unit	Part No.
EMC gasket 84HP	2	63-836-70

Front panels

Front panels for plug-in units

Extruded front panels

Aluminum 2.5 mm, clear anodized (non conductive)



Width	B		Height		
	mm	inch	3U 128.7 mm 5.15"	4U 173.1 mm 6.92"	6U 262.0 mm 10.48"
3HP	15.0	0.59	26N303	-	26N603
4HP	20.1	0.79	26N304	26N404	26N604
5HP	25.2	0.99	26N305	26N405	26N605
6HP	30.3	1.19	26N306	26N406	26N606
7HP	35.3	1.38	26N307	26N407	26N607
8HP	40.4	1.59	26N308	26N408	26N608
10HP	50.6	1.99	26N310	26N410	26N610
12HP	60.7	2.38	26N312	26N412	26N612
14HP	70.9	2.79	26N314	26N414	26N614
16HP	81.1	3.19	26N316	-	26N616
21HP	106.5	4.19	26N321	-	-

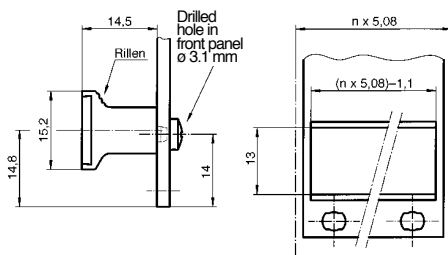
Fixing material has to be ordered separately

raw version: 26Nxxx-0

at rear drill marks for handle-fixing holes!

Rigid-mounted unit handles with identification label

black, plastic UL94V-0, label aluminum anodized



Width	Packing unit	Part No.
4HP TOP (flat front panel with card holder)	5	60-200-01
4HP BOTTOM (flat front panel with card holder)	5	60-200-02
4HP Standard	10	60-200-04
5HP	10	60-200-05
6HP	10	60-200-06
7HP	10	60-200-07
8HP	10	60-200-08
10HP	10	60-200-10
12HP	10	60-200-12
14HP	1	60-200-14
21HP	1	60-200-21

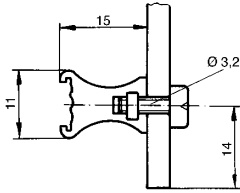
Fixing material

Part	Packing unit	Part No.
Phillips round head screw	100 pcs.	1902-70

Front panels

Fluted handle

Aluminum, clear anodized

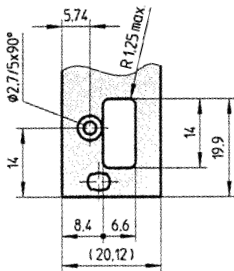


	Width front panel		Handle		Part No.
	mm	inch	L mm	inch	
3HP	15.1	0.59	12.5	0.49	60-103
4HP	20.1	0.79	17.6	0.69	60-104
5HP	25.2	0.99	22.6	0.88	60-105
6HP	30.3	1.19	27.7	1.09	60-106
7HP	35.3	1.38	33.5	1.31	60-107
8HP	40.4	1.59	37.9	1.49	60-108
10HP	50.6	1.99	48.0	1.88	60-110
12HP	60.7	2.39	58.2	2.29	60-112
14HP	70.9	2.79	69.1	2.72	60-114
16HP	81.1	3.19	78.5	3.09	60-116
20HP	101.4	3.99	98.8	3.88	60-120
21HP	106.5	4.18	104.6	4.11	60-121
27HP	137.0	5.39	134.4	5.29	60-127
30HP	152.2	5.99	149.6	5.88	60-130
40HP	203.0	7.99	200.4	7.88	60-140
60HP	304.6	11.99	302.0	11.88	60-160
84HP	426.5	16.79	424.0	16.69	60-184

incl. fixing material

Extruded front panel with opening for injector/ejector handle

Aluminum 2.5 mm, clear anodized



Width	B		Height		
	mm	inch	3U 128.7 mm 5.150	6U 262.0 mm 6.920	9U 395.4 mm 10.480
4HP	20.1	0.80	26N304-4.	26N604-4.	26N904-4.
6HP	30.3	1.20	-	26N606-4.	26N906-4.
8HP	40.4	1.60	-	26N608-4.	-

Fixing material has to be ordered separately (page 128-131)

26Nxxx-4. Version



0 = raw

1 = anodized

Injector/ejector handle for plug-in units

black, plastic UL94V-0



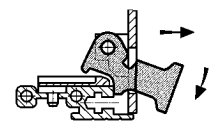
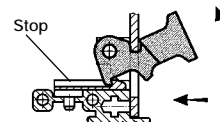
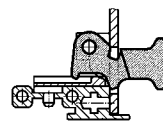
Injector/ejector handle complete

Description	3U	6U	9U
with stop	63-358	63-359	63-359
without stop	63-352	63-353	63-353

Rest position

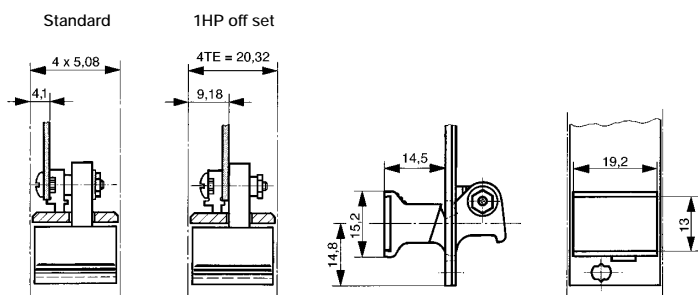
Inject

Eject



Instead of the stop there is a special extrusion (66-110) available with integrated projection!

Board



Front panels

EMC front panel sections for plug-in units according to IEC standard

EMC front panels for plug-in units



With injector/ejector handle

Aluminum 2.5 mm

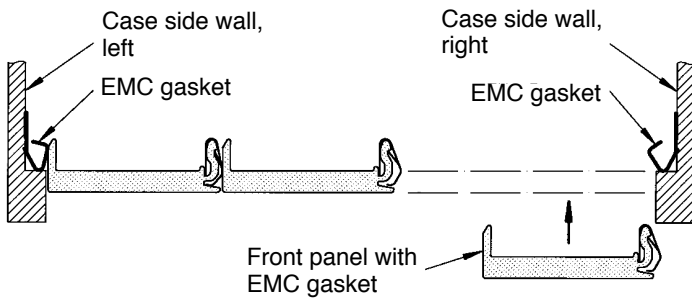
Front/rear conductive

Width	3U	6U
4HP	26E304	26E604
6HP	26E306	26E606
8HP	26E308	26E608

incl. EMC gasket on side

Fixing material has to be ordered separately (page 128–131)

EMC gasket (IEC, IEEE)



EMC gasket between side panel and front panel

Height	EMC level	Pcs.	Part No.
3U	superior	2	63-873-01
6U	superior	4	63-873-02

Front panels

EMC front panel sections for plug-in units according to IEEE 1101.10/1101.11

EMC front panels, version aluminum

Material

- Aluminum 2.5 mm
- Front anodized, rear conductive

Scope of delivery

- Front panel
- Card holder with/without handle, pre-assembled
- EMC spring
- Fixing material (screws M2.5 for front panel/card holder/boards)

With injector/ejector handle



With ESD pin

Height	Handle grey				Handle black			
	4HP	6HP	8HP	12HP	4HP	6HP	8HP	12HP
3U	26D304	26D306	26D308	26D312	26D304-6	26D306-6	26D308-6	26D312-6
6U	26D604	26D606	26D608	26D612	26D604-6	26D606-6	26D608-6	26D612-6
9U	26D904	-	-	-	26D904-6	-	-	-

Without ESD pin

Height	Handle grey				Handle black			
	4HP	6HP	8HP	12HP	4HP	6HP	8HP	12HP
3U	26F304	26F306	26F308	26F312	26F304-6	26F306-6	26F308-6	26F312-6
6U	26F604	26F606	26F608	26F612	26F604-6	26F606-6	26F608-6	26F612-6
9U	26F904	-	-	-	26F904-6	-	-	-

Without injector/ejector handle (also for use as a blank filler)



With ESD pin

Height	4HP	6HP	8HP	12HP
3U	26D304-1	26D306-1	26D308-1	26D312-1
6U	26D604-1	26D606-1	26D608-1	26D612-1
9U	26D904-1	-	-	-

Without ESD pin

Height	4HP	6HP	8HP	12HP
3U	26F304-1	26F306-1	26F308-1	26F312-1
6U	26F604-1	26F606-1	26F608-1	26F612-1
9U	26F904-1	-	-	-

Reliable electrical contact



Easy inject/eject operation



End piece card holder with coding feature



Front panels

EMC without gaskets!

EMC front panel sections, stainless-steel version

(Patents pending)

Material

- Stainless steel
- Surface untreated

Scope of delivery

- Front panel (with integrated EMC springs)
- Card holder with/without handle, pre-assembled
- Fixing material (screws M2.5 for front panels/card holder/boards)

Your advantage:

- Flexible in height and width
- Inexpensive customization (holes, openings)
- EMC spring integrated in front panel
- Compatible to IEEE standard
- Can be used in combination with aluminum version

With injector/ejector handle



With ESD pin

Height	Handle grey		Handle black	
	4HP	8HP	4HP	8HP
3U	28D304	28D308	28D304-6	28D308-6
6U	28D604	28D608	28D604-6	28D608-6

Without ESD pin

Height	Handle grey		Handle black	
	4HP	8HP	4HP	8HP
3U	28F304	28F308	28F304-6	28F308-6
6U	28F604	28F608	28F604-6	28F608-6

Without injector/ejector handle

(also for use as blank filler)



With ESD pin

Height	4HP	8HP
3U	28D304-1	28D308-1
6U	28D604-1	28D608-1

Without ESD pin

Height	4HP	8HP
3U	28F304-1	28F308-1
6U	28F604-1	28F608-1

Integral contact



Ergonomic handle



Coding



Front panels

Front panel sections, aluminum version 2.5 mm

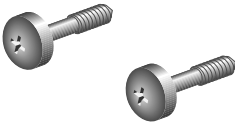


Front side anodized, rear conductive

Height	4HP	5HP	6HP	7HP	8HP	10HP	12HP
3HE	66-544-23	66-545-23	66-546-23	66-547-23	66-548-23	66-550-23	66-552-23
4HE	66-544-24	66-545-24	66-546-24		66-548-24		66-552-24
6HE	66-544-26	66-545-26	66-546-26	66-547-26	66-548-26	66-550-26	66-552-26
9HE	66-544-29	66-545-29	66-546-29		66-548-29		66-552-29

Front panels untreated XX-XXX-6X

Fixing screws M2.5



10HP and 12HP front panels need 2 additional fixing screws

	2 pcs.	100 pcs.
	61-287-4	1904-41

EMC spring for front panel sections, aluminum version 2.5 mm



Stainless steel

Height	10 pcs.	100 pcs.
3U	81-058-03-1	81-058-03-2
4U	81-058-04-1	81-058-04-2
6U	81-058-06-1	81-058-06-2
9U	81-058-09-1	81-058-09-2

Front panel sections, stainless-steel version

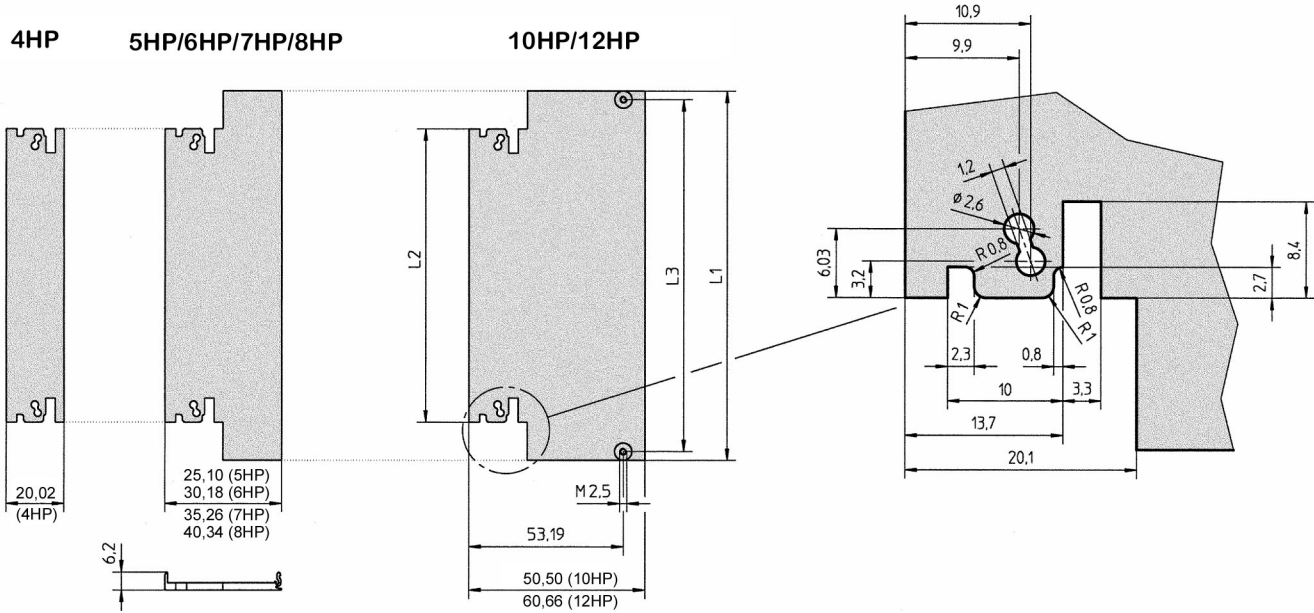


Untreated, conductive

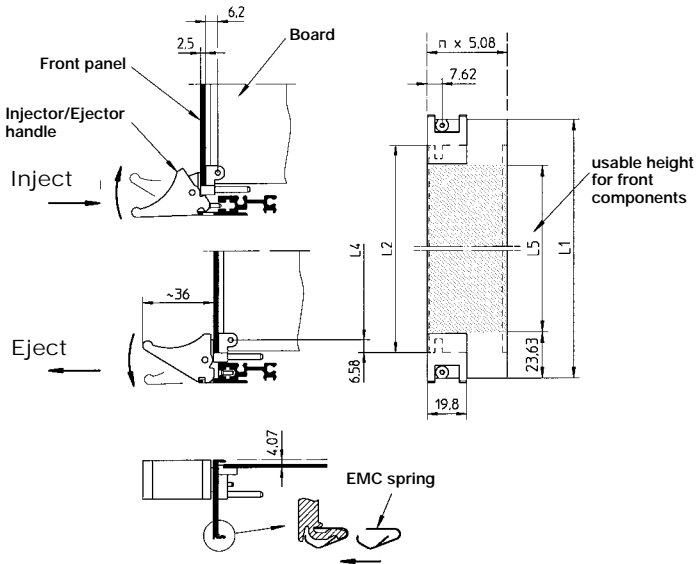
Height	4HP	8HP
3U	28-304	28-308
6U	28-604	28-608

Front panels

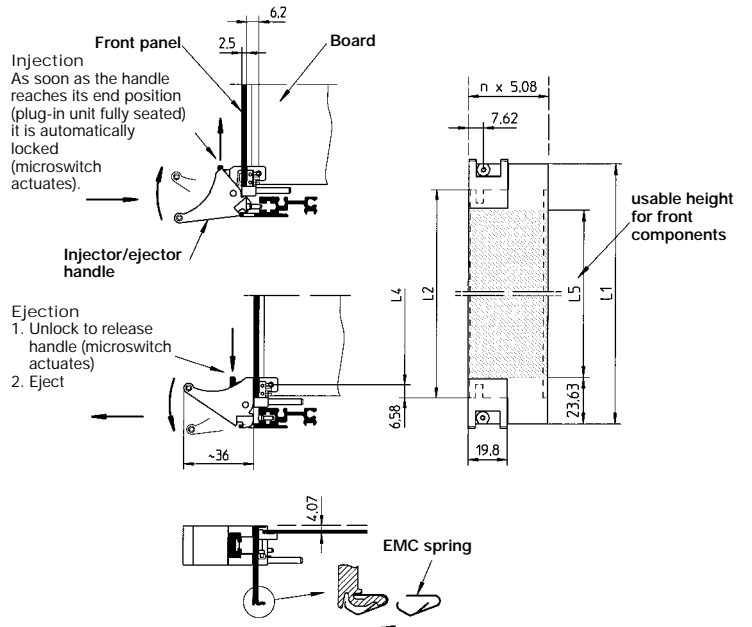
Line drawings IEEE front panels



Injector/ejector handle without locking feature (function)



Injector/ejector handle with locking feature (function)



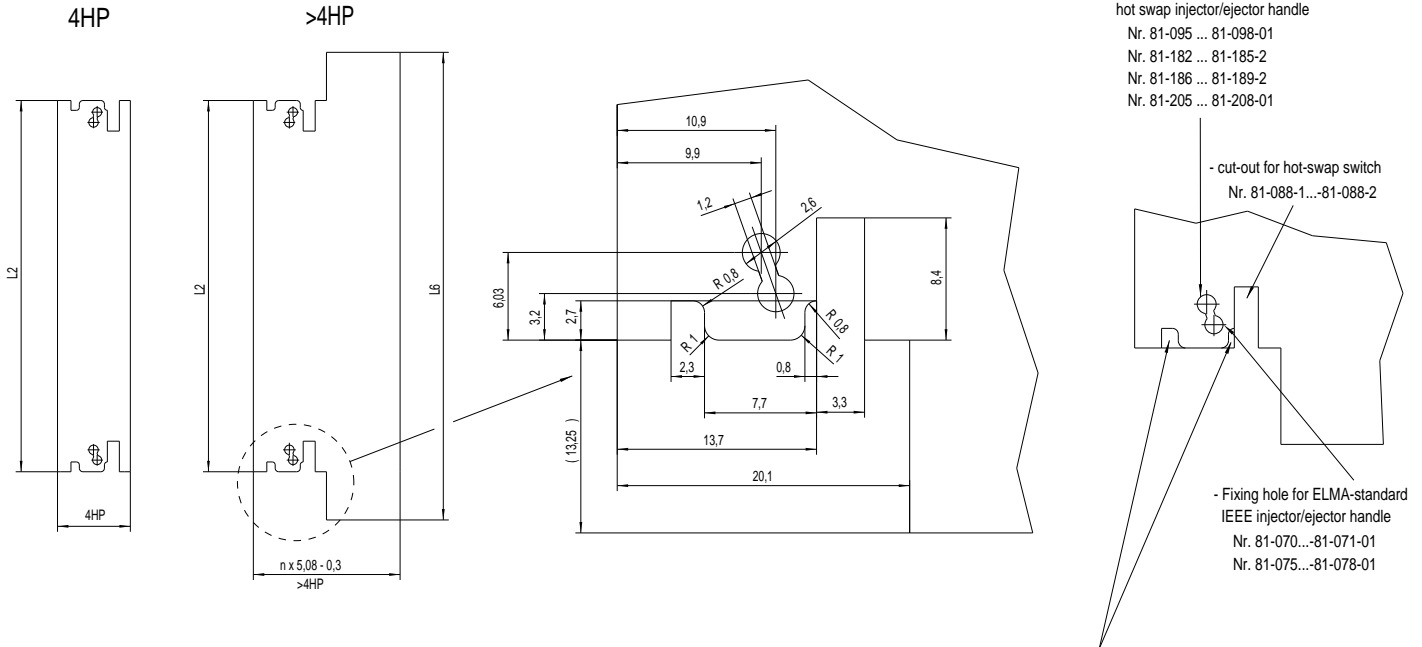
Dimensions

Height	L1 (mm)	L1 (inch)	L2 (mm)	L2 (inch)	L3 (mm)	L3 (inch)	L4 (mm)	L4 (inch)	L5 (mm)	L5 (inch)
3U	128.55	5.06"	102.05	4.01"	122.50	4.82"	88.90	3.50"	81.30	3.20"
4U	173.00	6.81"	146.50	5.76"	166.95	6.57"	133.35	5.25"	125.75	4.95"
6U	261.90	10.31"	235.40	9.27"	255.85	10.07"	222.25	8.75"	214.65	8.45"
9U	395.25	15.56"	368.75	14.51"	389.20	15.32"	355.60	14.00"	348.00	13.70"

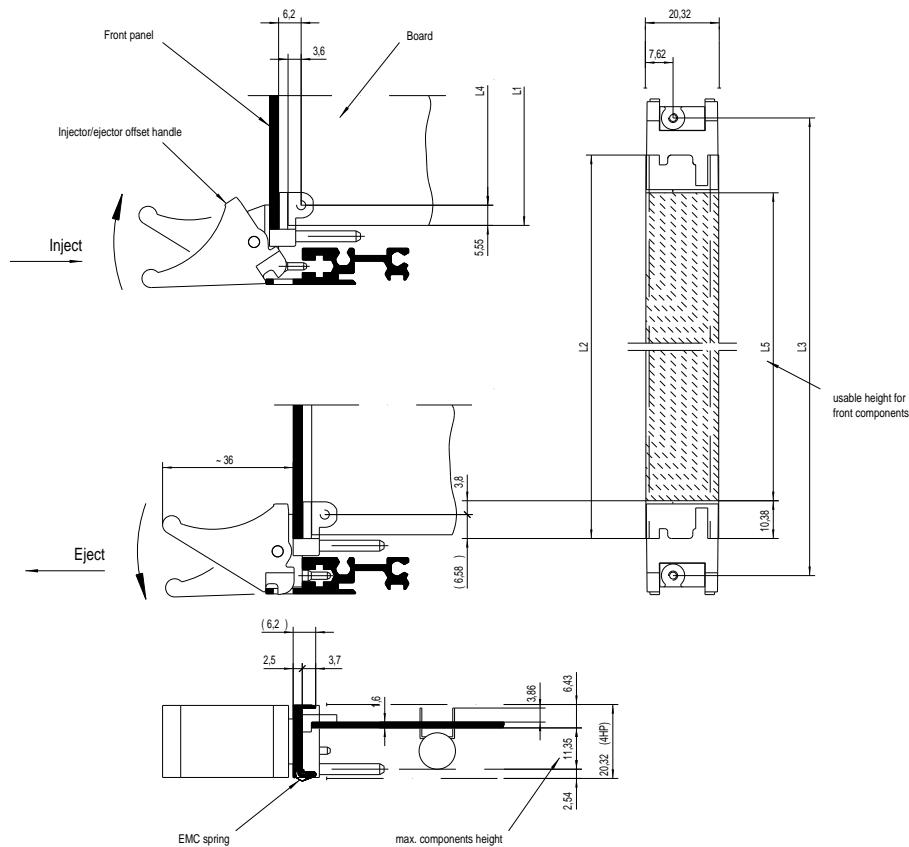
Front panels

NEW!
offset version

Line drawings IEEE front panels



Injector/ejector offset handle (function)



Heights

	L1 (mm)	L2 (mm)	L3 (mm)	L4 (mm)	L5 (mm)	L6 (mm)
3U	100	102,05	122,5	88,9	81,3	128,7
4U	144,45	146,5	166,95	133,35	125,75	173,15
6U	233,35	235,4	255,85	222,25	214,65	262,05
9U	366,7	368,75	389,2	355,6	348	395,4

1 mm = 0.0394 inch, 1 inch = 25.4 mm