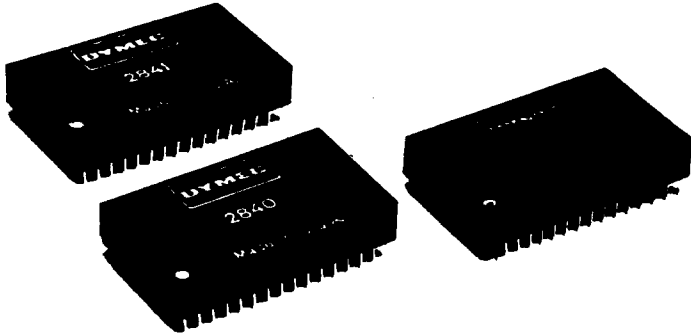


# DYMEC

## 20 BIT A/D CONVERTER SERIES



2840 20 Bits at 100 mSec  
2841 20 Bits at 500 mSec  
2842 20 Bits at 1 Sec

### Description

Models 2840, 2841 & 2842 are complete, integrating A/D converters performing 20 Bit Conversions in 100 Milliseconds, 500 Milliseconds and 1 Second respectively. This Series uses the charged-balanced asynchronous V/F converter with internal counter/timer architecture for ultra-precise repeatability of wide dynamic range, slowly varying signals.

With an input range of 10  $\mu$ V to 10V, this series provides A/D conversion with a Dynamic Range of 1,000,000:1 (120db) without the complications and errors associated with gain ranging or logarithmic schemes.

Their unique architecture allows for integration of the input signal, thus improving common mode and normal mode rejection and for continuous sampling of the input signal, avoiding the annoying dead time associated with most integrating converters. The 2840, 2841, 2842 Series achieves remarkable repeatability of 0.3 ppm at up to 100 samples per second depending on Mode, Speed & Resolution chosen (see respective applications criteria)

Commands to the converter and data from the converter are accomplished via an 8 bit microprocessor compatible bus. The unit can be used in continuous sample or triggered mode, where a data ready flag alerts the  $\mu$ P that the conversion is complete.

### Features

- 20 Bit Integrating A/D
- Programmable Conversion Time
- Continuous sampling
- <10 $\mu$ V Sensitivity
- Repeatability to 0.3ppm
- Microprocessor Compatible

### Applications

- Analytical Instrumentation
- Automatic Test Equipment
- Clinical Chemistry
- Data Acquisition Systems
- Elemental Analysis
- Magnetometers
- Medical Instrumentation
- Seismology
- Thickness & Weighing Systems

# Specifications

All Specifications Guaranteed at 25°C Unless Otherwise Noted

## ANALOG INPUT

**Input Range**  
-10 $\mu$ V to -10V

**Overrange**  
5%

**Configuration**  
Single-ended

**Impedance**  
6 K $\Omega$

**Offset Voltage**  
 $\pm$ 10mV trimmable to zero

**Overvoltage Protection**  
 $\pm$ Vs without damage

## TRANSFER CHARACTERISTICS

**V/F Full Scale**  
2840 10MHz  
2841 5 MHz  
2842 2 MHz

**Gain Error**  
 $\pm$ 1%, Trimmable to zero

**Differential NonLinearity**  
2840 0.1 ppm  
2841 0.2 ppm  
2842 0.5 ppm

**Integral Non-Linearity**  
2840  $\pm$ 0.05% FS  $\pm$ 0.05% of input  
2841  $\pm$ 0.02% FS  $\pm$ 0.02% of input  
2842  $\pm$ 0.01% FS  $\pm$ 0.01% of input

**Fullscale Step Response**  
2840 5 $\mu$ Sec plus 2 cycles of new frequency  
2841 10 $\mu$ Sec plus 2 cycles of new frequency  
2842 20 $\mu$ Sec plus 2 cycles of new frequency

**Overload Receiving**  
2840 12 cycles of new frequency  
2841 10 cycles of new frequency  
2842 8 cycles of new frequency

**Noise (3 Sigma)**  
(10V Input, 1 SPS, 3 minutes)  
2840 5 $\mu$ V  
2841 4 $\mu$ V  
2842 3 $\mu$ V

## STABILITY

**Gain-Tempco**  
60ppm FS/ $^{\circ}$ C typical  
100ppm FS/ $^{\circ}$ C maximum

**Gain - P.S. Sensitivity**  
200ppm/1% changes in P.S.

**Offset-Tempco**  
10 $\mu$ V/ $^{\circ}$ C typical  
30 $\mu$ V/ $^{\circ}$ C maximum

**Offset - P.S. Sensitivity**  
10 $\mu$ V/1% change in P.S.

**Warm-up Time**  
 $\leq$  2 minutes to specified acc'y

**Digital Inputs**  
R/W 50nSec min.  
A0,A1,A2 10nSec min.  
E Setup 10nSec min.  
E Hold 10nSec min.  
D0-D7 Setup 10nSec min.  
D0-D7 Hold 10nSec min.

**Levels**  
All levels TTL compatible

## ENVIRONMENTAL & MECHANICAL

**Power Supply**  
+15V  $\pm$ 3% @ 3mA  
-15V  $\pm$ 3% @ 10mA  
+5V  $\pm$ 5V @ 200m

**Temperature Range**  
Operating 0 $^{\circ}$  to +70 $^{\circ}$ C  
Storage -25 $^{\circ}$ C to 100 $^{\circ}$ C

## THEORY OF OPERATION

The 2840, 2841, 2842 Series uses a charged balanced asynchronous V/F converter with internal counter timer architecture as shown in Figure 1. The full scale range of the V/F is 10MHz for the 2840, 5MHz for the 2841 and 2MHz for the 2842. The input signal is tracked by the V/F producing a pulse frequency linearly proportional to its full scale, ie:

$$\frac{V_{in}}{V_{FS}} = \frac{F_{out}}{F_{FS}}$$

This frequency is accumulated by the counter/timer for the full conversion time of the A/D and presented at the output as a binary word up to 24 bits wide. The continuous tracking and accumulation of pulses performs an inherently monotonic integrating function.

Once the pulse accumulation is complete, the count is instantaneously transferred to the output stage, ready to be accessed by the  $\mu P$ . In the continuous sample mode, the counter/timer instantaneously begins to accumulate counts for the next measurement. In the external trigger mode, the counter/timer awaits a trigger command before beginning the next accumulation of pulses. In both cases the V/F continues to generate a pulse frequency proportionately tracking the input signal. There is no dead time on these converters so the integration period and the conversion times are the same and the terms are used interchangeably.

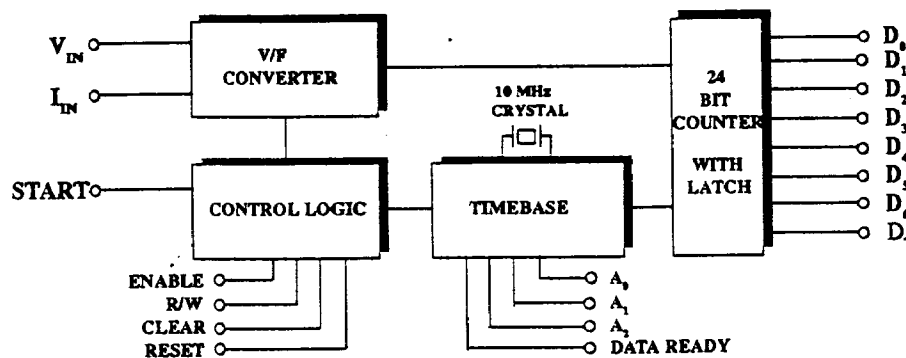


FIGURE 1 - Block Diagram

## SENSITIVITY VS SPEED

The sensitivity of the 2840, 2841, 2842 Series is directly proportional to the amount of time the converter is allowed to integrate the input signal.

$$\text{Sensitivity} = \frac{V_{FS} \cdot T_C}{F_{FS}}$$

Where

$V_{FS}$  = Full Scale Voltage

$F_{FS}$  = Full Scale Frequency of the V/F

$T_C$  = Conversion Time.

For example: If the 2840, (with it's 10MHz V/F) integrates the input signal for 1/10th of a second, it will accumulate 1,000,000 pulses. If the fullscale input voltage is 10V, each pulse counted will represent 10 $\mu V$ . Thus, the sensitivity of the 2840 at 10 samples per second is 10 $\mu V$ .

Model / Conversion Time	2840 10MHz	2841 5MHz	2842 2MHz
100 SPS	100 $\mu V$ (16 Bits)	200 $\mu V$ (15Bits)	500 $\mu V$ (14 Bits)
10 SPS	10 $\mu V$ (20 Bits)	20 $\mu V$ (19 Bits)	50 $\mu V$ (18 Bits)
1 SPS	1 $\mu V$ (23 Bits)	2 $\mu V$ (22 Bits)	5 $\mu V$ (21 Bits)

TABLE I - Sensitivity and Resolution With 0-10V F.S

## CHOOSING A CONVERSION TIME

The architecture of the 2840, 2841, 2842 Series allows the designer to choose the conversion time of the A/D converter, for the sensitivity, for Conversion Time or a Combination of both criteria.

a- **For Sensitivity** – Often sensitivity, that is, the minimum change in input voltage detectable by the converter will be the overriding criteria.

In that case, calculate the percent of full scale represented by the sensitivity. The inverse of that number represents the full scale count needed.

$$S = (V_{FS}/F_{FS}) \cdot T$$

For Example

$$10\mu V \text{ on } 10V_{FS} = 1\text{ppm}$$

$$1/1\text{ppm} = 10^6 \text{ counts}$$

or

$$1\text{mV on } 10V = 0.01\%$$

$$1/0.01\% = 10^4 \text{ counts}$$

Next determine the amount of time required for the V/F to generate that count full scale. That will be your conversion time:

<u>Model</u>	<u>10<sup>6</sup> Counts</u>		<u>10<sup>4</sup> Counts</u>
2840 (10MHz)	0.1 Sec	or	.001 Sec
2841 (5MHz)	0.2 Sec		.002 Sec
2842 (2MHz)	0.5 Sec		.005 Sec

b - **For Conversion Time**  $T = \text{Sensitivity} \cdot (F_{FS}/V_{FS})$

Example: At 100Msec integrating (conversion) time

Model	Count	Resolution	Sensitivity
2840 (10MHz)	10 <sup>6</sup> counts FS	~ 20 Bits	10μV
2841 (5MHz)	5x10 <sup>5</sup> counts FS	~ 19 Bits	20μV
2842 (2MHz)	2x10 <sup>5</sup> counts FS	~ 18 Bits	50μV

c - **Combination** – In multiplexed systems different sensitivity/speed combinations may be required for each channel. This is easily accomplished with the 2840, 2841, 2842 Series by a simple program command setting the conversion time.

With the very wide dynamic range of the 2841, 2841, 2842 Series the entire input range can be sampled at high speed and low resolution until the desired level is detected. Then the integration time can be extended for higher sensitivity measurements.

Where several instruments share one analog front end design - combination of speed and sensitivity can be programmed into 2840, 2841, 2842 Series "on the fly."

Sometimes the conversion time dominates the design decision. This is true when trying to reject periodic normal mode noise- such as 50/60 Hz line pick up. Then the conversion time should be set at an integer multiple of the period of the noise (ie 20mS or 40mS or 60 mS for 50Hz rejection). 100mS integration is common as it rejects both 50 & 60Hz pickup, Once the conversion time is chosen, the resolution and sensitivity can be calculated.

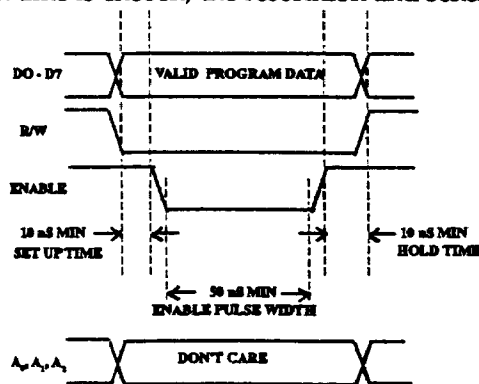


FIGURE 2 Write Commanding

**PROGRAMMING CONVERSION TIME**

Conversion time is programmed by writing an 8 bit word to the A/D converter. R/W should be placed in a logic 0. Program data are loaded on lines D0-D7 and the Enable command is strobed low per Figure 2. Note setup and hold time of 10nSec minimum before and after Enable and the 50nSec minimum Enable pulse width.

The programmed conversion time (TC) is related to an external clock (FClk) by the following formula. Clock frequencies up to 50MHz are acceptable

$$T_C = \frac{1}{F_{Clk}} \times B \times 10^N \quad \text{For a 10MHz Crystal } T_C = \frac{1}{10^7} \times B \times 10^N$$

- STEP 1 - Select desired conversion (integration) time.
- STEP 2 - Multiply time base by FClk. The answer is B x 10<sup>N</sup>
- STEP 3 - Choose B as large as possible within 1-16 range. Determine appropriate N.
- STEP 4 - Assemble program byte (with MSB = 1) selecting N & B from Table II.

Word	MSB D7	D6	D5	D4	D3	D2	D1	LSB D0		
Function	MSB	N2	N1	N0	B3	B2	B1	B0		
Code	M-1	N =	N2	N1	N0	B =	B3	B2	B1	B0
	0	0	0	0	0	1	1	1	1	1
		1	0	0	1	2	1	1	1	0
		2	0	1	0	3	1	1	0	1
		3	0	1	1	4	1	1	0	0
		4	1	0	0	5	1	0	1	1
		5	1	0	1	6	1	0	1	0
		6	1	1	0	7	1	0	0	1
		7	1	1	1	8	1	0	0	0
						9	0	1	1	1
						10	0	1	1	0
						11	0	1	0	1
						12	0	1	0	0
						13	0	0	1	1
						14	0	0	1	0
						15	0	0	0	1
						16	0	0	0	0

TABLE II - Compiling the Conversion Time Byte

**Example 1**

- 1) For TC = 100 mSec and FClk = 10MHz
- 2) TC x FClk = B x 10<sup>N</sup>  
100mSec x 10 x 10<sup>6</sup> = 10 x 10<sup>5</sup>
- 3) Choose N=5      B=10
- 4) Code            MSB   N    B  
                      0    101   0110

**Example 2**

- 1) For TC = 1 mSec and FClk=10MHz
- 2) TC x FClk = B x 10<sup>N</sup>  
1mSec x 10 x 10<sup>6</sup> = 10 x 10<sup>3</sup>
- 3) Choose        N=3   B=10
- 4) Code            MSB   N    B  
                      0    011   0110

## READING THE DATA

The 2840, 2841, 2842 Series is capable of up to 24 bit measurements. These are read out on the 8 Bit bus in three bytes. There are also overflow and programming bytes. The bytes are addressed at pins A<sub>0</sub>, A<sub>1</sub>, A<sub>2</sub> per TABLE III via the timing commands in FIGURE 3.

To read data, set the R/W line to the logical "1" (high) state, and the A<sub>0</sub>, A<sub>1</sub>, A<sub>2</sub> control lines to the appropriate states for the data byte desired. The order in which these signals are applied isn't important, as long as they are present and static for at least 10 nS before the Enable (E) line is activated, and for a minimum of 10nS after Enable (E) is removed. The Enable line performs the actual read operation, it is a negative pulse, at least 50nS wide. Valid data is present on the output bus 30nS maximum after the leading edge of Enable; the data bus returns to a high impedance state 25nS maximum after the trailing edge of the Enable pulse.

A0	A1	A2	COMMAND	BYTE
0	0	0	READ	LOWER
1	0	0	READ	MIDDLE
0	1	0	READ	UPPER
1	1	0	READ	OVERFLOW
1	0	1	READ	PROG BYTE

TABLE III - Addressing the data bytes

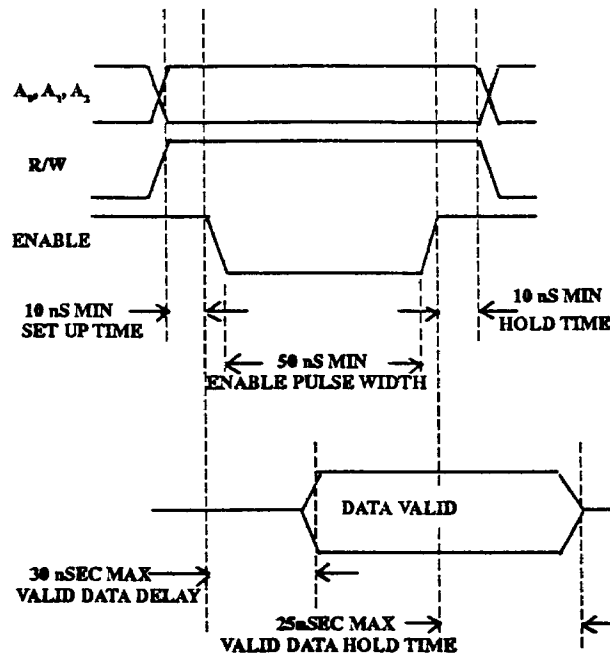
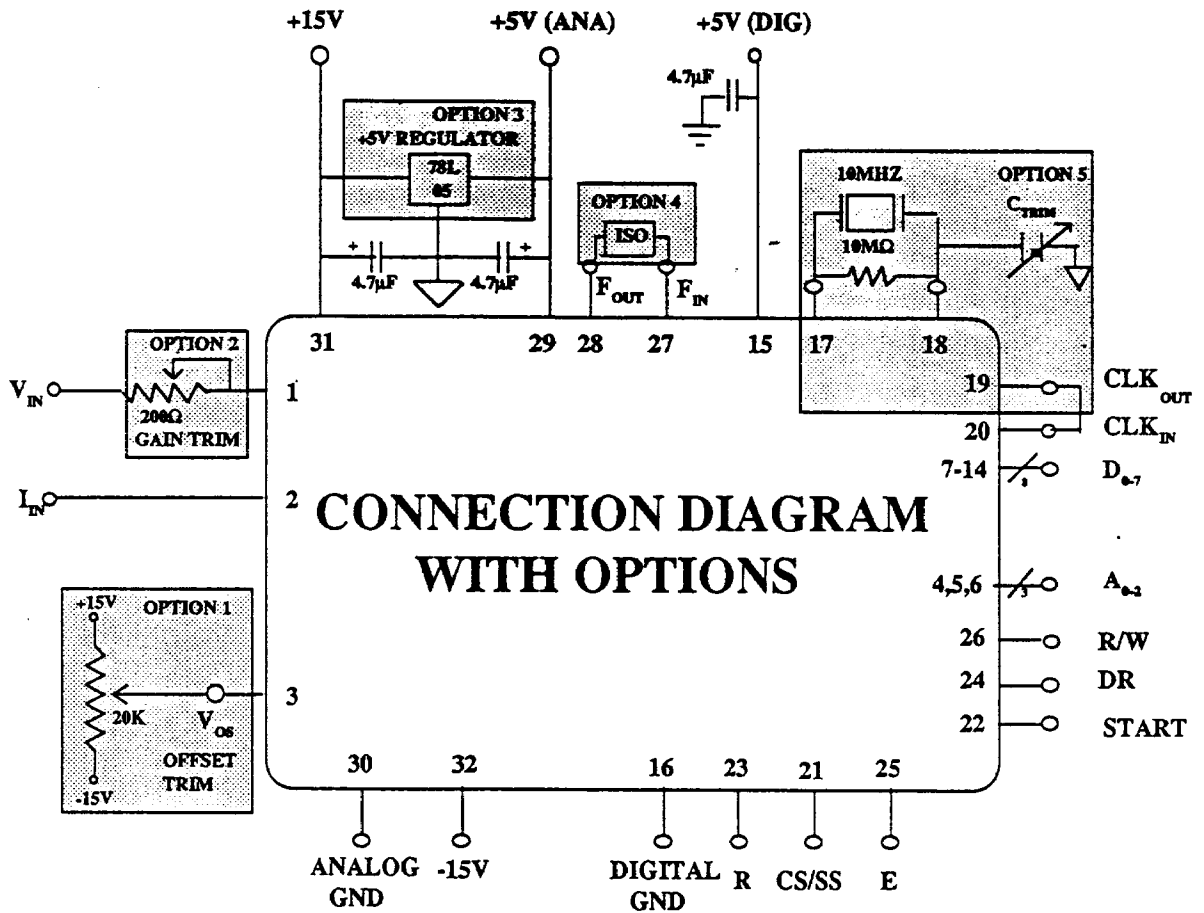


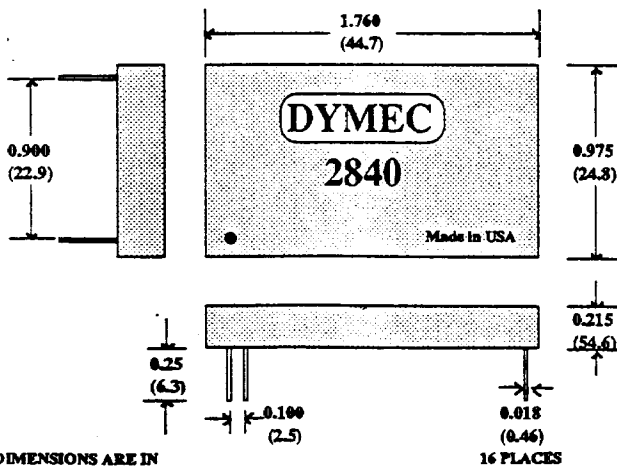
FIGURE 3 - Read Command Timing





**OPTIONS**

- 1- Offset voltage may be trimmed to zero using a 20KΩ potentiometer with drift less than 100ppm.
- 2- Fullscale output can be trimmed to zero error using a 200Ω potentiometer with drift less than 100ppm.
- 3- +5V (ANA) may be regulated for optimal performance using a National 78L05 (typical) +5V Regulator.
- 4- An optical isolator or isolation transformer may be inserted between F<sub>out</sub> & F<sub>in</sub> to isolate the analog and digital of the A/D, if dictated by System requirements.
- 5- Clock frequency may come from a system clock, up to 50MHz maximum, applied to CLK<sub>IN</sub> (pin 20). Alternately an oscillator clock can be generated using a crystal (10MHz typical). C Trim may then be added to trim the crystal to the exact frequency desired. C Trim values between 2 & 25pf are typical.



DIMENSIONS ARE IN INCHES (MILLIMETERS)



**ORDERING INFORMATION**

- 2840 20 Bits @ 100MSec
- 2841 20 Bits @ 200MSec
- 2842 20 Bits @ 1 Sec

DYMEC, INCORPORATED -8 Lowell Avenue  
 Winchester, Massachusetts 01890  
 Tel: (617) 729-7870 Fax: (617) 729-1630

017771 X X