

### FEATURES:

- 128k x 8-bit EEPROM
- RAD-PAK® radiation hardened against natural space radiation
- Total dose hardness:
  - > 100 krad (Si), depending upon space mission
- Excellent Single Event Effects:
  - No Latchup > 120 MeV/mg/cm<sup>2</sup>
  - SEU > 90 MeV/mg/cm<sup>2</sup> read mode
- Package:
  - 32-pin RAD-PAK® flat pack package
  - JEDEC-approved byte-wide pinout
- High speed:
  - 120, 150, and 200 ns maximum access times available
- High endurance:
  - 10,000 cycles/byte, 10-year data retention
- Page write mode:
  - 1 to 128 byte page
- Low power dissipation
  - 20 mW/MHz active (typical)
  - 110 μW standby (maximum)
- Screening per TM 5004
- QCI per TM5005

### DESCRIPTION:

Maxwell Technologies' 28C011T high-density 1 Megabit (128K x 8-Bit) EEPROM microcircuit features a greater than 100 krad (Si) total dose tolerance, depending upon space mission. The 28C011T is capable of in-system electrical byte and page programmability. It has a 128-byte page programming function to make its erase and write operations faster. It also features Data Polling and a Ready / Busy signal to indicate the completion of erase and programming operations. In the 28C011T, hardware data protection is provided with the RES pin, in addition to noise protection on the WE signal and write inhibit on power on and off. Software data protection is implemented using the JEDEC optional standard algorithm.

Maxwell Technologies' patented RAD-PAK® packaging technology incorporates radiation shielding in the microcircuit package. It eliminates the need for box shielding while providing the required radiation shielding for a lifetime in orbit or space mission. In a GEO orbit, RAD-PAK provides greater than 100 krad (Si) radiation dose tolerance. This product is available with screening up to Class S.

TABLE 1. 28C011T PINOUT DESCRIPTION

PIN	SYMBOL	DESCRIPTION
12-4, 27, 26, 23, 25, 4, 28, 3, 31, 2	A0-A16	Address
13-21	I/O 0 - 7	Data Input/Output
24	$\overline{OE}$	Output Enable
22	$\overline{CE}$	Chip Enable
29	$\overline{WE}$	Write Enable
32	$V_{CC}$	Power Supply
16	$V_{SS}$	Ground
1	$\overline{RDY/BUSY}$	Ready/Busy
30	$\overline{RES}$	Reset

TABLE 2. 28C011T ABSOLUTE MAXIMUM RATINGS

PARAMETER	SYMBOL	MIN	MAX	UNITS
Supply Voltage (Relative to $V_{SS}$ )	$V_{CC}$	-0.6	+7.0	V
Input Voltage (Relative to $V_{SS}$ )	$V_{IN}$	-0.5 <sup>1</sup>	+7.0	V
Operating Temperature Range	$T_{OPR}$	-55	+125	°C
Storage Temperature Range	$T_{STG}$	-65	+150	°C

1.  $V_{IN}$  min = -3.0V for pulse width  $\leq$  50ns.

TABLE 3. DELTA LIMITS

PARAMETER	VARIATION
$I_{CC1}$	$\pm 10\%$
$I_{CC2}$	$\pm 10\%$
$I_{CC3}$	$\pm 10\%$
$I_{LI}$	$\pm 10\%$
$I_{LO}$	$\pm 10\%$

TABLE 4. 28C011T RECOMMENDED OPERATING CONDITIONS

PARAMETER	SYMBOL	MIN	MAX	UNITS
Supply Voltage	$V_{CC}$	4.5	5.5	V
Input Voltage  $\overline{RES\_PIN}$	$V_{IL}$	-0.3 <sup>1</sup>	0.8	V
	$V_{IH}$	2.2	$V_{CC} + 0.3$	
	$V_H$	$V_{CC} - 0.5$	$V_{CC} + 1$	
Thermal Impedance — Flat Package	$\Theta_{JC}$	--	2.17	°C/W
Operating Temperature Range	$T_{OPR}$	-55	+125	°C

1.  $V_{IL}$  min = 1.0V for pulse width  $\leq$  50 ns

TABLE 5. 28C011T CAPACITANCE  
( $T_A = 25^\circ\text{C}$ ,  $f = 1\text{ MHz}$ )

PARAMETER	SYMBOL	MIN	MAX	UNITS
Input Capacitance: $V_{IN} = 0V$ <sup>1</sup>	$C_{IN}$	--	6	pF
Output Capacitance: $V_{OUT} = 0V$ <sup>1</sup>	$C_{OUT}$	--	12	pF

1. Guaranteed by design.

TABLE 6. 28C011T DC ELECTRICAL CHARACTERISTICS  
( $V_{CC} = 5V \pm 10\%$ ,  $T_A = -55$  TO  $+125^\circ\text{C}$ , UNLESS OTHERWISE SPECIFIED)

PARAMETER	TEST CONDITION	SYMBOL	MIN	MAX	UNITS
Input Leakage Current	$V_{CC} = 5.5V$ , $V_{IN} = 5.5V$	$I_{IL}$	--	2 <sup>1</sup>	$\mu\text{A}$
Output Leakage Current	$V_{CC} = 5.5V$ , $V_{OUT} = 5.5V/0.4V$	$I_{LO}$	--	2	$\mu\text{A}$
Standby $V_{CC}$ Current	$\overline{CE} = V_{CC}$	ICC1	--	20	$\mu\text{A}$
	$\overline{CE} = V_{IH}$	ICC2	--	1	mA
Operating $V_{CC}$ Current	$I_{OUT} = 0\text{mA}$ , Duty = 100%, Cycle = 1 $\mu\text{s}$ at $V_{CC} = 5.5V$	ICC3	--	15	mA
	$I_{OUT} = 0\text{mA}$ , Duty = 100%, Cycle = 150ns at $V_{CC} = 5.5V$		--	50	
Input Voltage  $\overline{RES\_PIN}$		$V_{IL}$	--	0.8	V
		$V_{IH}$	2.2	--	
		$V_H$	$V_{CC} - 0.5$	--	
Output Voltage	$I_{OL} = 2.1\text{ mA}$	$V_{OL}$	--	0.4	V
	$I_{OH} = -0.4\text{ mA}$	$V_{OH}$	2.4	--	

1.  $I_{LI}$  on RES = 100  $\mu\text{A}$  max.

TABLE 7. 28C011T AC ELECTRICAL CHARACTERISTICS FOR READ OPERATION <sup>1</sup> $(V_{CC} = 5V \pm 10\%, T_A = -55 \text{ TO } +125 \text{ }^\circ\text{C})$ 

PARAMETER	SYMBOL	MIN	MAX	UNITS
Address Access Time $\overline{CE} = \overline{OE} = V_{IL}, \overline{WE} = V_{IH}$ -120 -150 -200	$t_{ACC}$	-- -- --	120 150 200	ns
Chip Enable Access Time $\overline{OE} = V_{IL}, \overline{WE} = V_{IH}$ -120 -150 -200	$t_{CE}$	-- -- --	120 150 200	ns
Output Enable Access Time $\overline{CE} = V_{IL}, \overline{WE} = V_{IH}$ -120 -150 -200	$t_{OE}$	0 0 0	75 75 100	ns
Output Hold to Address Change $\overline{CE} = \overline{OE} = V_{IL}, \overline{WE} = V_{IH}$ -120 -150 -200	$t_{OH}$	0 0 0	-- -- --	ns
Output Disable to High-Z <sup>2</sup> $\overline{CE} = V_{IL}, \overline{WE} = V_{IH}$ -120 -150 -200 $\overline{CE} = \overline{OE} = V_{IL}, \overline{WE} = V_{IH}$ -120 -150 -200	$t_{DF}$  $t_{DFR}$	0 0 0 0 0 0	50 50 60 300 350 450	ns
$\overline{RES}$ to Output Delay <sup>3</sup> $\overline{CE} = \overline{OE} = V_{IL}, \overline{WE} = V_{IH}$ -120 -150 -200	$t_{RR}$	0 0 0	400 450 650	ns

1. Test conditions: Input pulse levels - 0.4V to 2.4V; input rise and fall times < 20ns; output load - 1 TTL gate + 100pF (including scope and jig); reference levels for measuring timing - 0.8V/1.8V.
2.  $t_{DF}$  and  $t_{DFR}$  are defined as the time at which the output becomes an open circuit and data is no longer driven.
3. Guaranteed by design.

TABLE 8. 28C011T AC ELECTRICAL CHARACTERISTICS FOR BYTE ERASE AND BYTE WRITE OPERATIONS  
 ( $V_{CC} = 5V \pm 10\%$ ,  $T_A = -55$  TO  $+125$  °C)

PARAMETER	SYMBOL	MIN <sup>1</sup>	MAX	UNITS
Address Setup Time	$t_{AS}$			ns
-120		0	--	
-150		0	--	
-200		0	--	
Chip Enable to Write Setup Time ( $\overline{WE}$ controlled)	$t_{CS}$			ns
-120		0	--	
-150		0	--	
-200		0	--	
Write Pulse Width				
CE controlled	$t_{CW}$			ns
-120		200	--	
-150		250	--	
-200		350	--	
$\overline{WE}$ controlled	$t_{WP}$			
-120		150	--	
-150		250	--	
-200		350	--	
Address Hold Time	$t_{AH}$			ns
-120		150	--	
-150		150	--	
-200		200	--	
Data Setup Time	$t_{DS}$			ns
-120		75	--	
-150		120	--	
-200		200	--	
Data Hold Time	$t_{DH}$			ns
-120		10	--	
-150		10	--	
-200		20	--	
Chip Enable Hold Time ( $\overline{WE}$ controlled)	$t_{CH}$			ns
-120		0	--	
-150		0	--	
-200		0	--	
Write Enable to Write Setup Time ( $\overline{CE}$ controlled)	$t_{WS}$			ns
-120				
-150		0	--	
-200		0	--	
		0	--	
Write Enable Hold Time ( $\overline{CE}$ controlled)	$t_{WH}$			ns
-120		0	--	
-150		0	--	
-200		0	--	

TABLE 8. 28C011T AC ELECTRICAL CHARACTERISTICS FOR BYTE ERASE AND BYTE WRITE OPERATIONS  
( $V_{CC} = 5V \pm 10\%$ ,  $T_A = -55$  TO  $+125$  °C)

PARAMETER	SYMBOL	MIN <sup>1</sup>	MAX	UNITS
Output Enable to Write Setup Time -120 -150 -200	$t_{OES}$	0 0 0	-- -- --	ns
Output Enable Hold Time -120 -150 -200	$t_{OEH}$	0 0 0	-- -- --	ns
Write Cycle Time <sup>2</sup> -120 -150 -200	$t_{WC}$	-- -- --	10 10 20	ms
Data Latch Time -120 -150 -200	$t_{DL}$	250 300 400	-- -- --	ns
Byte Load Window -120 -150 -200	$t_{BL}$	100 100 200	-- -- --	$\mu$ s
Byte Load Cycle -120 -150 -200	$t_{BLC}$	0.55 0.55 0.95	30 30 30	$\mu$ s
Time to Device Busy -120 -150 -200	$t_{DB}$	100 120 170	-- -- --	ns
Write Start Time <sup>3</sup> -120 -150 -200	$t_{DW}$	150 150 250	-- -- --	ns
$\overline{RES}$ to Write Setup Time -120 -150 -200	$t_{RP}$	100 100 200	-- -- --	$\mu$ s
$V_{CC}$ to $\overline{RES}$ Setup Time <sup>4</sup> -120 -150 -200	$t_{RES}$	1 1 3	-- -- --	$\mu$ s

1. Use this device in a longer cycle than this value.
2.  $t_{WC}$  must be longer than this value unless polling techniques or RDY/BUSY are used. This device automatically completes the internal write operation within this value.

3. Next read or write operation can be initiated after  $t_{DW}$  if polling techniques or RDY/BUSY are used.
4. Guaranteed by design.

TABLE 9. 28C011T MODE SELECTION <sup>1, 2</sup>

PARAMETER	$\overline{CE}$	$\overline{OE}$	$\overline{WE}$	I/O	$\overline{RES}$	RDY/ $\overline{BUSY}$
Read	$V_{IL}$	$V_{IL}$	$V_{IH}$	$D_{OUT}$	$V_H$	High-Z
Standby	$V_{IH}$	X	X	High-Z	X	High-Z
Write	$V_{IL}$	$V_{IH}$	$V_{IL}$	$D_{IN}$	$V_H$	High-Z --> $V_{OL}$
Deselect	$V_{IL}$	$V_{IH}$	$V_{IH}$	High-Z	$V_H$	High-Z
Write Inhibit	X	X	$V_{IH}$	--	X	--
	X	$V_{IL}$	X	--	X	--
Data Polling	$V_{IL}$	$V_{IL}$	$V_{IH}$	Data Out (I/O)	$V_H$	$V_{OL}$
Program	X	X	X	High-Z	$V_{IL}$	High-Z

1. X = Don't care.
2. Refer to the recommended DC operating conditions.

FIGURE 1. READ TIMING WAVEFORM

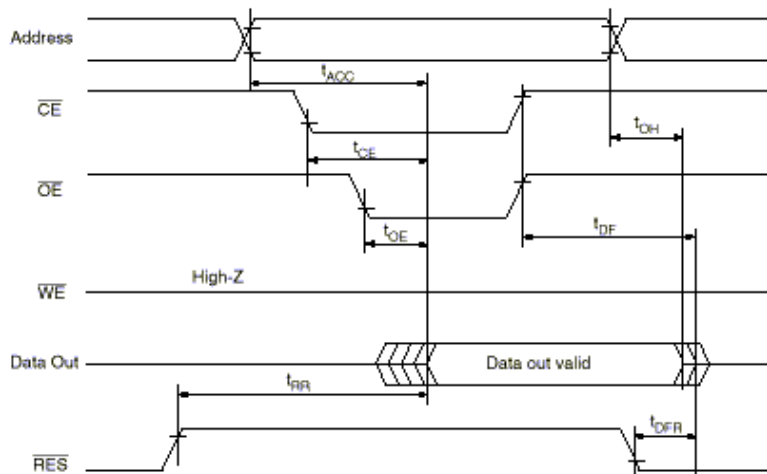


FIGURE 2. BYTE WRITE TIMING WAVEFORM(1) ( $\overline{WE}$  CONTROLLED)

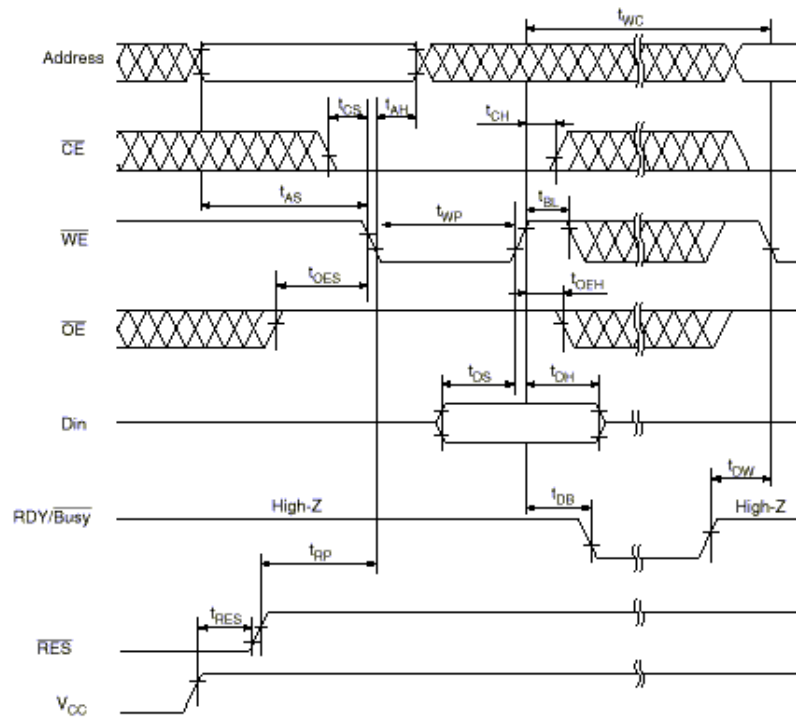


FIGURE 3. BYTE WRITE TIMING WAVEFORM(2) ( $\overline{CE}$  CONTROLLED)

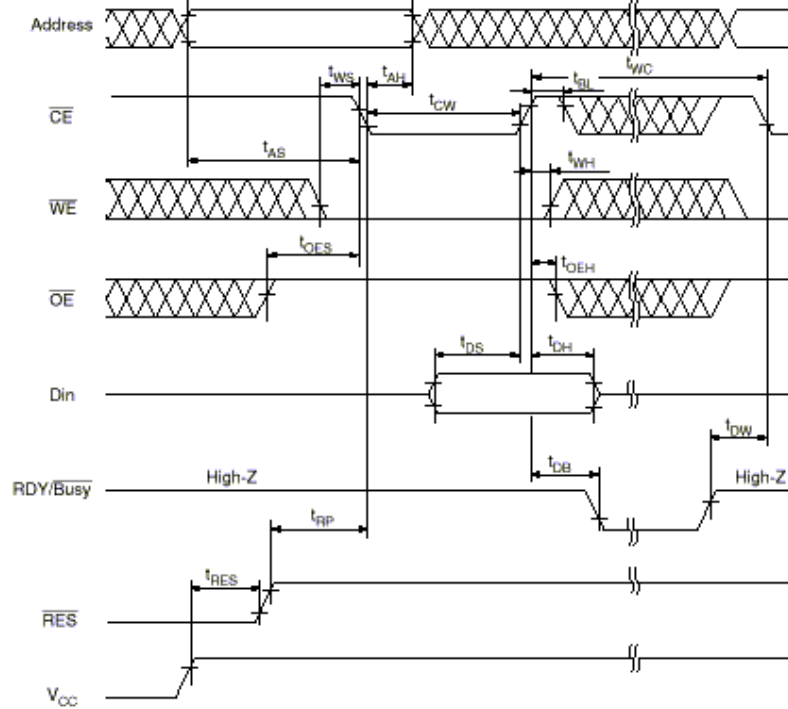




FIGURE 4. PAGE WRITE TIMING WAVEFORM(1) ( $\overline{WE}$  CONTROLLED)

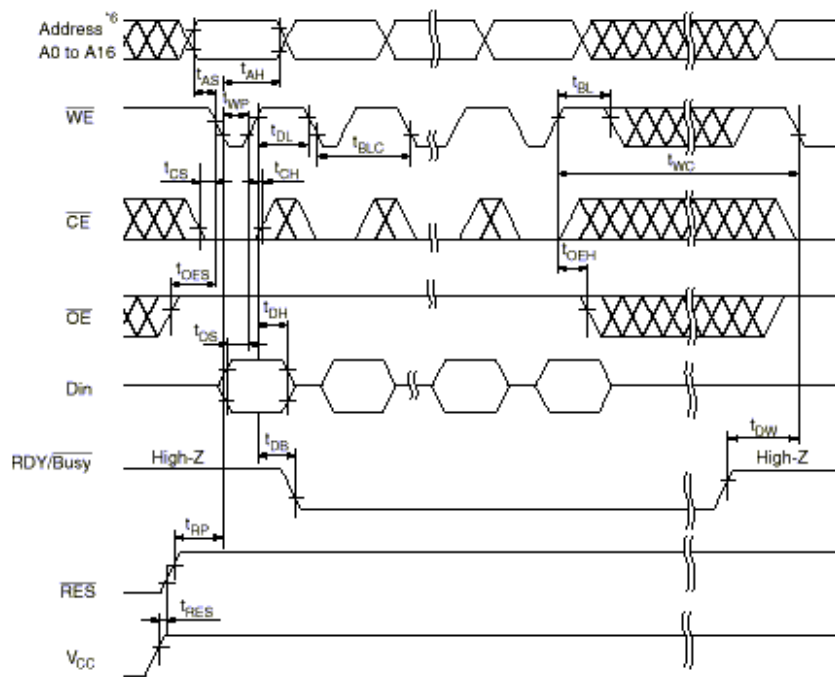


FIGURE 5. PAGE WRITE TIMING WAVEFORM(2) ( $\overline{CE}$  CONTROLLED)

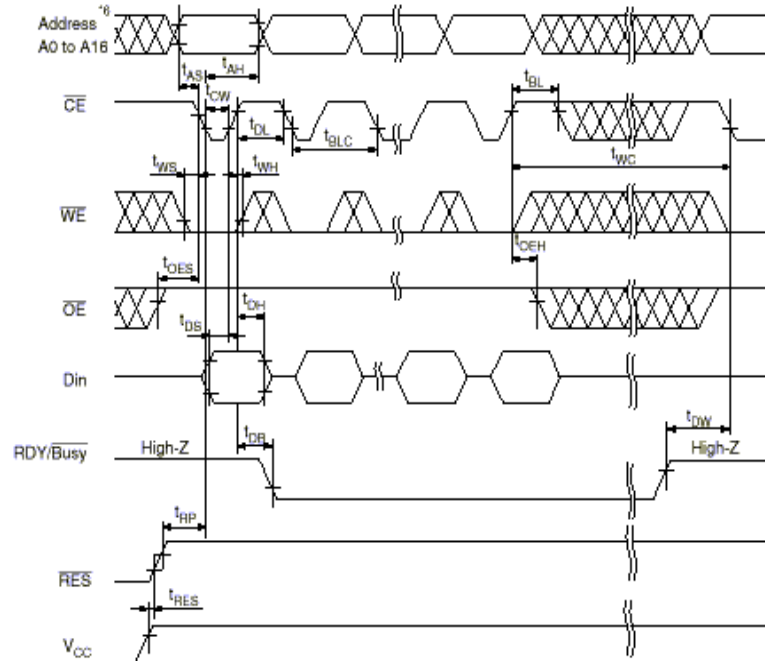


FIGURE 6. DATA POLLING TIMING WAVEFORM

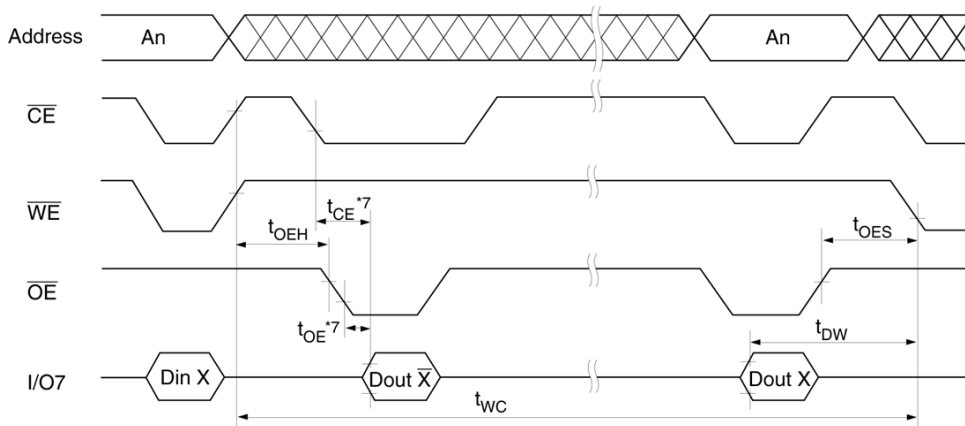


FIGURE 7. SOFTWARE DATA PROTECTION TIMING WAVEFORM(1) (IN PROTECTION MODE)

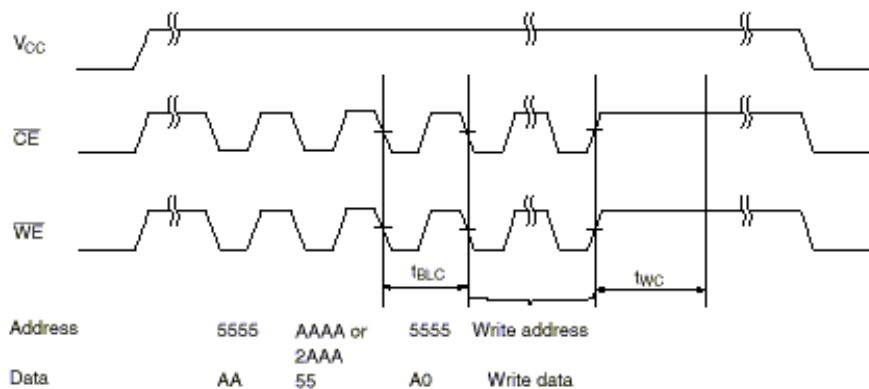
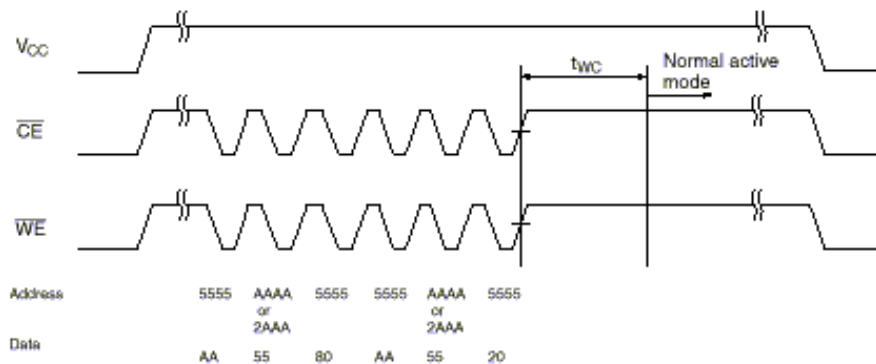


FIGURE 8. SOFTWARE DATA PROTECTION TIMING WAVEFORM(2) (IN NON-PROTECTION MODE)



## EEPROM APPLICATION NOTES

This application note describes the programming procedures for the EEPROM modules and with details of various techniques to preserve data protection.

### Automatic Page Write

Page-mode write feature allows 1 to 128 bytes of data to be written into the EEPROM in a single write cycle, and allows the undefined data within 128 bytes to be written corresponding to the undefined address (A0 to A6). Loading the first byte of data, the data load window opens 30µs for the second byte. In the same manner each additional byte of data can be loaded within 30µs. In case  $\overline{CE}$  and  $\overline{WE}$  are kept high for 100 µs after data input, EEPROM enters erase and write mode automatically and only the input data are written into the EEPROM.

### $\overline{WE}$ $\overline{CE}$ Pin Operation

During a write cycle, addresses are latched by the falling edge of  $\overline{WE}$  or  $\overline{CE}$ , and data is latched by the rising edge of  $\overline{WE}$  or  $\overline{CE}$ .

### Data Polling

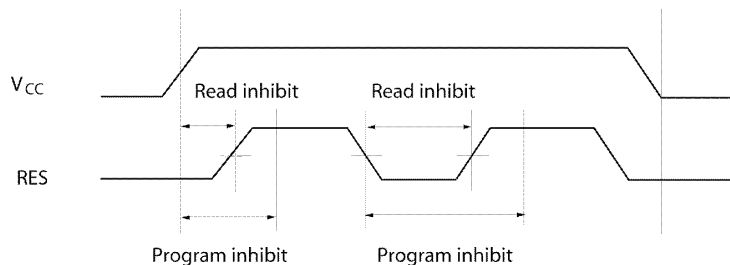
Data Polling function allows the status of the EEPROM to be determined. If EEPROM is set to read mode during a write cycle, an inversion of the last byte of data to be loaded outputs from I/O 7 to indicate that the EEPROM is performing a write operation.

### $\overline{RDY/Busy}$ Signal

$\overline{RDY/Busy}$  signal also allows a comparison operation to determine the status of the EEPROM. The  $\overline{RDY/Busy}$  signal has high impedance except in write cycle and is lowered to  $V_{OL}$  after the first write signal. At the-end of a write cycle, the  $\overline{RDY/Busy}$  signal changes state to high impedance.

### $\overline{RES}$ Signal

When  $\overline{RES}$  is LOW, the EEPROM cannot be read and programmed. Therefore, data can be protected by keeping  $\overline{RES}$  low when  $V_{CC}$  is switched.  $\overline{RES}$  should be high during read and programming because it doesn't provide a latch function.

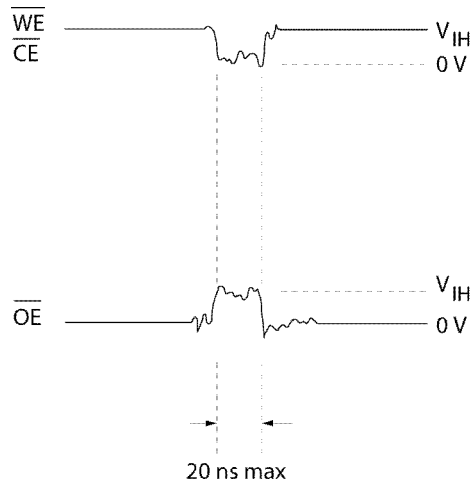


### Data Protection

To protect the data during operation and power on/off, the EEPROM has the internal functions described below.

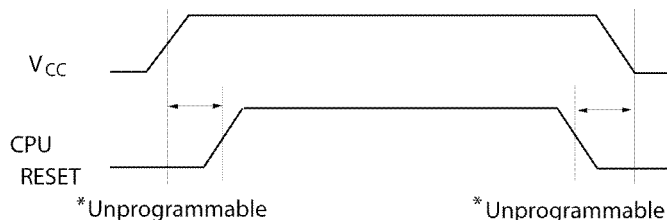
1. Data Protection against Noise of Control Pins ( $\overline{CE}$ ,  $\overline{OE}$ ,  $\overline{WE}$ ) during Operation.

During readout or standby, noise on the control pins may act as a trigger and turn the EEPROM to programming mode by mistake. To prevent this phenomenon, the EEPROM has a noise cancellation function that cuts noise if its width is 20ns or less in programming mode. Be careful not to allow noise of a width of more than 20ns on the control pins.

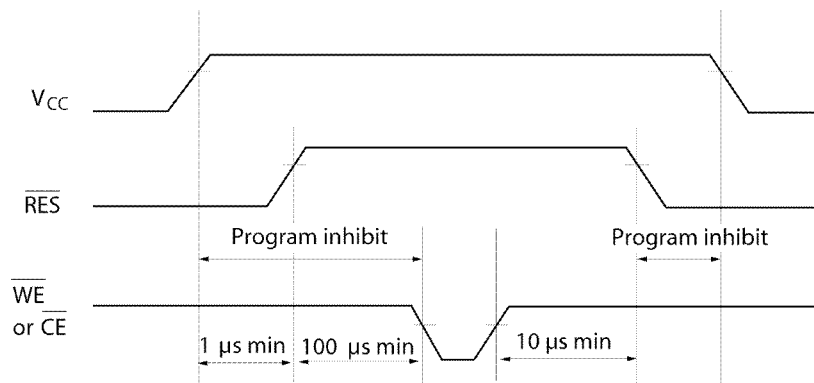


## 2. Data Protection at $V_{CC}$ on/off

When  $V_{CC}$  is turned on or off, noise on the control pins generated by external circuits, such as CPUs, may turn the EEPROM to programming mode by mistake. To prevent this unintentional programming, the EEPROM must be kept in unprogrammable state during  $V_{CC}$  on/off by using a CPU reset signal to  $\overline{RES}$  pin.

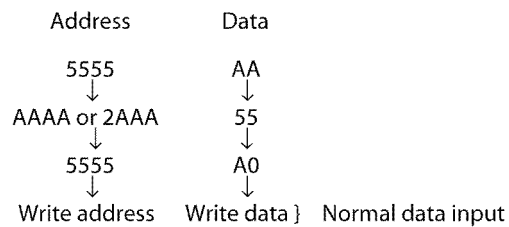


$\overline{RES}$  should be kept at  $V_{SS}$  level when  $V_{CC}$  is turned on or off. The EEPROM breaks off programming operation when  $\overline{RES}$  become low, programming operation doesn't finish correctly in case that  $\overline{RES}$  falls low during programming operation.  $\overline{RES}$  should be kept high for 10 ms after the last data input.

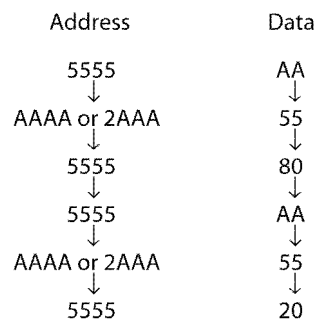


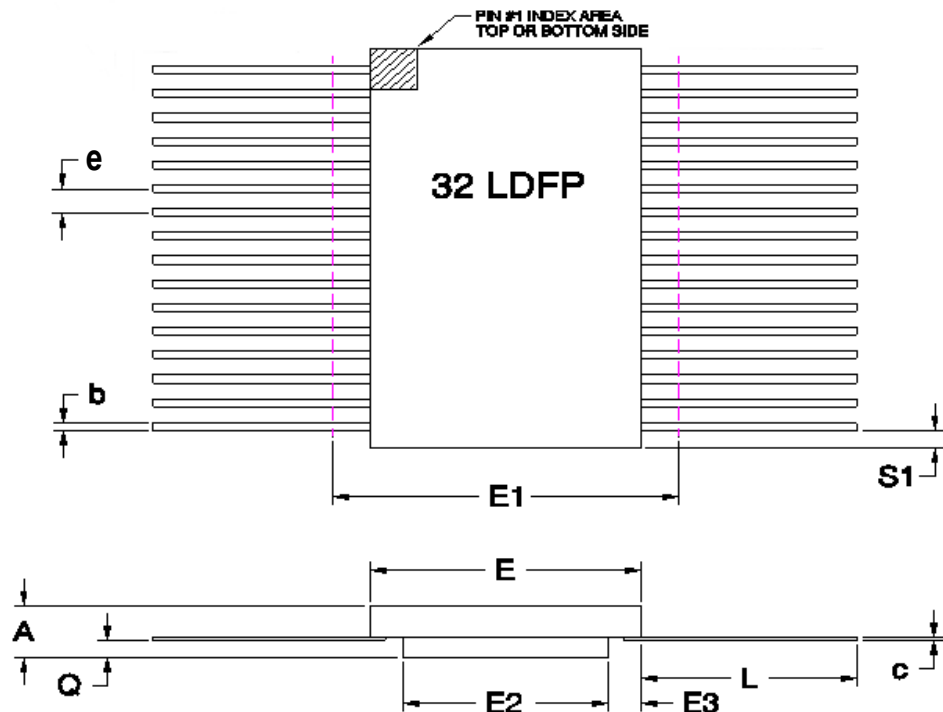
### 3. Software Data Protection

The software data protection function is to prevent unintentional programming caused by noise generated by external circuits. In software data protection mode, 3 bytes of data must be input before write data as follows. These bytes can switch the non-protection mode to the protection mode.



Software data protection mode can be canceled by inputting the following 6 bytes. Then, the EEPROM turns to the non-protection mode and can write data normally. However, when the data is input in the canceling cycle, the data cannot be written.





32-PIN RAD-PAK® FLAT PACKAGE

SYMBOL	DIMENSION		
	MIN	NOM	MAX
A	0.117	0.130	0.143
b	0.015	0.017	0.022
c	0.003	0.005	0.009
D	--	0.820	0.830
E	0.404	0.410	0.416
E1	--	--	0.440
E2	0.234	0.240	--
E3	0.030	0.085	--
e	0.050BSC		
L	0.350	0.370	0.390
Q	0.021	0.033	0.036
S1	0.005	0.027	--
N	32		

F32-03

Note: All dimensions in inches.

## Important Notice:

These data sheets are created using the chip manufacturers published specifications. Maxwell Technologies verifies functionality by testing key parameters either by 100% testing, sample testing or characterization.

The specifications presented within these data sheets represent the latest and most accurate information available to date. However, these specifications are subject to change without notice and Maxwell Technologies assumes no responsibility for the use of this information.

Maxwell Technologies' products are not authorized for use as critical components in life support devices or systems without express written approval from Maxwell Technologies.

Any claim against Maxwell Technologies must be made within 90 days from the date of shipment from Maxwell Technologies. Maxwell Technologies' liability shall be limited to replacement of defective parts.

# 1 Megabit (128K x 8-Bit) EEPROM

# 28C011T

## Product Ordering Options

