



# PRELIMINARY MX29F1610A

## 16M-BIT [2M x8/1M x16] CMOS SINGLE VOLTAGE FLASH EEPROM

### FEATURES

- 5V  $\pm$  10% write and erase
- JEDEC-standard EEPROM commands
- Endurance:100,000 cycles
- Fast access time: 90/100/120ns
- Sector erase architecture
  - 16 equal sectors of 128k bytes each
  - Sector erase time: 1.3 s typical
- Auto Erase and Auto Program Algorithms
  - Automatically erases any one of the sectors or the whole chip with Erase Suspend capability
  - Automatically programs and verifies data at specified addresses
- Status Register feature for detection of program or erase cycle completion
- Low VCC write inhibit is equal to or less than 3.2V
- Software and hardware data protection
- Page program operation
  - Internal address and data latches for 128 bytes/64 words per page
  - Page programming time: 0.9ms typical
  - Byte programming time: 7us in average
- Low power dissipation
  - 30mA typical active current
  - 1uA typical standby current
- CMOS and TTL compatible inputs and outputs
- Sector Protection
  - Hardware method that can protect any combination of sectors from write or erase operations.
- Deep Power-Down Input
  - 1uA ICC typical
- Industry standard surface mount packaging
  - 48 lead TSOP, TYPE I
  - 44 lead SOP

### GENERAL DESCRIPTION

The MX29F1610A is a 16-mega bit Flash memory organized as either 1M wordx16 or 2M bytex8. The MX29F1610A includes 16-128KB(131,072) blocks or 16-64KW(65,536) blocks. MXIC's Flash memories offer the most cost-effective and reliable read/write non-volatile random access memory. The MX29F1610A is packaged in 48-pin TSOP or 44-pin SOP. For 48-pin TSOP,  $\overline{CE2}$  and RY/BY are extra pins compared with 44-pin SOP package. This is to optimize the products (such as solid-state disk drives or flash memory cards) control pin budget. All the above three pins( $\overline{CE2}$ ,RY/BY and PWD) plus one extra VCC pin are not provided in 44-pin SOP. It is designed to be reprogrammed and erased in-system or in-standard EPROM programmers.

The standard MX29F1610A offers access times as fast as 90ns, allowing operation of high-speed microprocessors without wait. To eliminate bus contention, the MX29F1610A has separate chip enables( $\overline{CE1}$  and  $\overline{CE2}$ ), output enable (OE), and write enable (WE) controls.

MXIC's Flash memories augment EPROM functionality with in-circuit electrical erasure and programming. The MX29F1610A uses a command register to manage this

functionality. The command register allows for 100% TTL level control inputs and fixed power supply levels during erase and programming, while maintaining maximum EPROM compatibility.

To allow for simple in-system reprogrammability, the MX29F1610A does not require high input voltages for programming. Five-volt-only commands determine the operation of the device. Reading data out of the device is similar to reading from an EPROM.

MXIC Flash technology reliably stores memory contents even after 100,000 cycles. The MXIC's cell is designed to optimize the erase and programming mechanisms. In addition, the combination of advanced tunnel oxide processing and low internal electric fields for erase and programming operations produces reliable cycling. The MX29F1610A uses a 5V  $\pm$  10% VCC supply to perform the Auto Erase and Auto Program algorithms.

The highest degree of latch-up protection is achieved with MXIC's proprietary non-epi process. Latch-up protection is proved for stresses up to 100 milliamps on address and data pin from -1V to VCC +1V.

## PIN CONFIGURATIONS

### 48 TSOP(TYPE I) (12mm x 20mm)

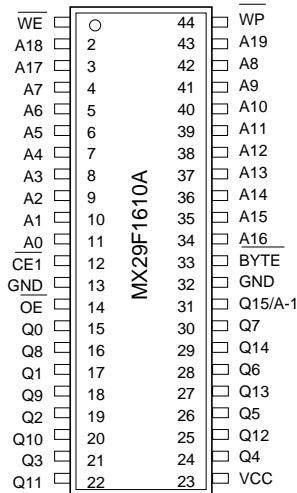


(NORMAL TYPE)



(REVERSE TYPE)

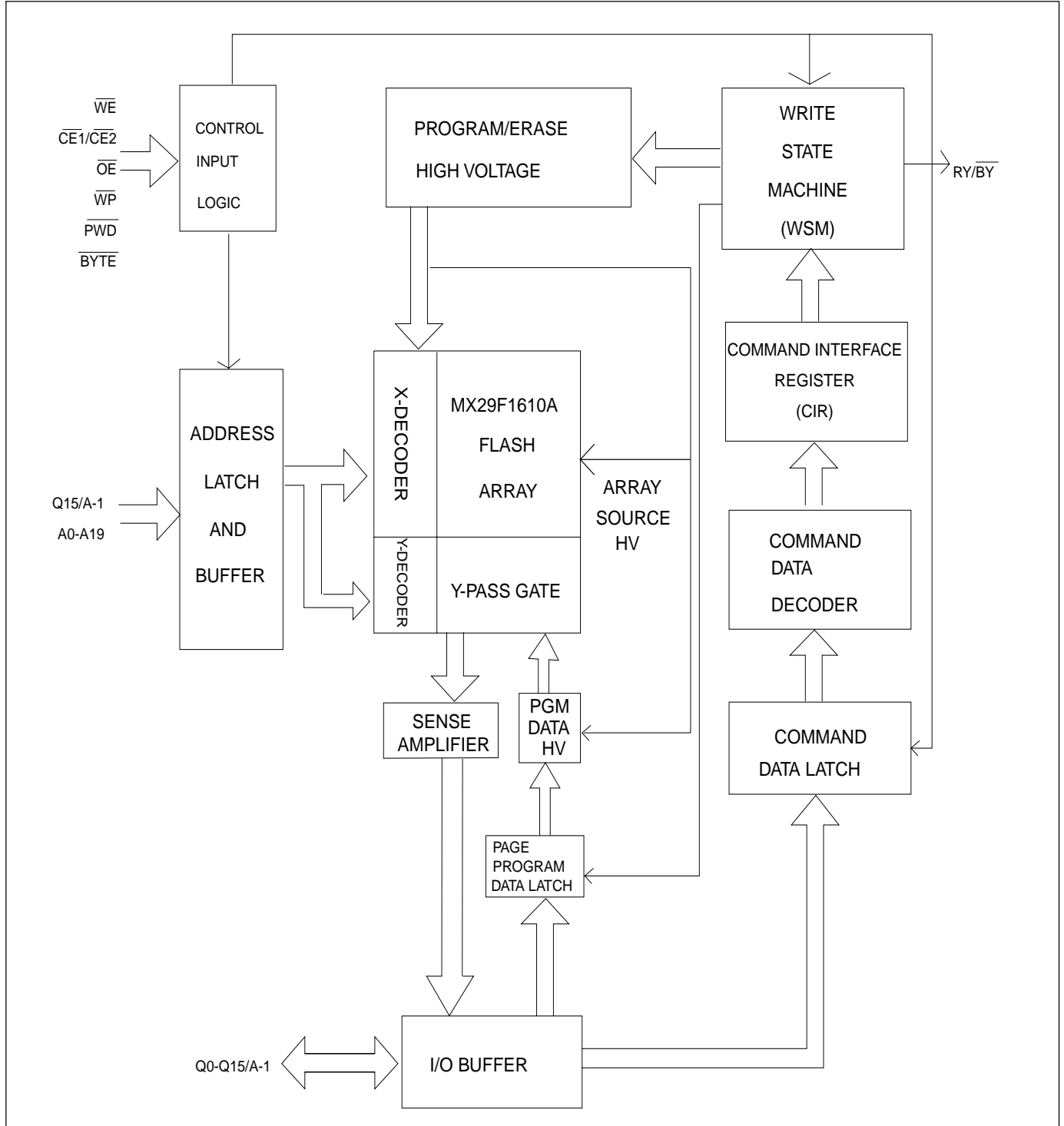
### 44 SOP(500mil)



## PIN DESCRIPTION

SYMBOL	PIN NAME
A0 - A19	Address Input
Q0 - Q14	Data Input/Output
Q15/A - 1	Q15(Word mode)/LSB addr.(Byte mode)
CE1/CE2	Chip Enable Input
PWD	Deep Power- Down Input
OE	Output Enable Input
WE	Write Enable Input
RY/BY	Ready/Busy Output
WP	Sector Write Protect Input
BYTE	Word/Byte Selection Input
VCC	Power Supply
GND	Ground Pin

## BLOCK DIAGRAM



**Table1.PIN DESCRIPTIONS**

SYMBOL	TYPE	NAME AND FUNCTION
A0 - A19	INPUT	ADDRESS INPUTS: for memory addresses. Addresses are internally latched during a write cycle.
Q0 - Q7	INPUT/OUTPUT	LOW-BYTE DATA BUS: Input data and commands during Command Interface Register(CIR) write cycles. Outputs array,status and identifier data in the appropriate read mode. Floated when the chip is de-selected or the outputs are disabled.
Q8 - Q14	INPUT/OUTPUT	HIGH-BYTE DATA BUS: Inputs data during x 16 Data-Write operations. Outputs array, identifier data in the appropriate read mode; not used for status register reads. Floated when the chip is de-selected or the outputs are disabled
.Q15/A -1	INPUT/OUTPUT	Selects between high-byte data INPUT/OUTPUT(BYTE = HIGH) and LSB ADDRESS(BYTE = LOW)
$\overline{CE1}/\overline{CE2}$	INPUT	CHIP ENABLE INPUTS: Activate the device's control logic, Input buffers, decoders and sense amplifiers. With either $\overline{CE1}$ or $\overline{CE2}$ high, the device is de-selected and power consumption reduces to Standby level upon completion of any current program or erase operations. Both $\overline{CE1},\overline{CE2}$ must be low to select the device. $\overline{CE2}$ is not provided in 44-pin SOP package. All timing specifications are the same for both signals. Device selection occurs with the latter falling edge of $\overline{CE1}$ or $\overline{CE2}$ . The first rising edge of $\overline{CE1}$ or $\overline{CE2}$ disables the device.
$\overline{PWD}$	INPUT	POWER-DOWN: Puts the device in deep power-down mode. $\overline{PWD}$ is active low; $\overline{PWD}$ high gates normal operation. $\overline{PWD}$ also locks out erase or program operation when active low providing data protection during power transitions.
$\overline{OE}$	INPUT	OUTPUT ENABLES: Gates the device's data through the output buffers during a read cycle $\overline{OE}$ is active low.
$\overline{WE}$	INPUT	WRITE ENABLE: Controls writes to the Command Interface Register(CIR). $\overline{WE}$ is active low.
RY/ $\overline{BY}$	OPEN DRAIN OUTPUT	READY/BUSY: Indicates the status of the internal Write State Machine(WSM). When low it indicates that the WSM is performing a erase or program operation. RY/ $\overline{BY}$ high indicate that the WSM is ready for new commands, sector erase is suspended or the device is in deep power-down mode. RY/ $\overline{BY}$ is always active and does not float to tristate off when the chip is deselected or data output are disabled.
$\overline{WP}$	INPUT	WRITE PROTECT: All sectors can be protected by writing a non-volatile protect-bit for each sector. When $\overline{WP}$ is low, all protect-bits status can not be changed, i.e., the user can not execute Sector Protection and Sector Unprotect. The $\overline{WP}$ input buffer is disabled when $\overline{PWD}$ transitions low(deep power-down mode).
$\overline{BYTE}$	INPUT	BYTE ENABLE: $\overline{BYTE}$ Low places device in x8 mode. All data is then input or output on Q0-7 and Q8-14 float. Address Q15/A-1 selects between the high and low byte. $\overline{BYTE}$ high places the device in x16 mode, and turns off the Q15/A-1 input buffer. Address A0, then becomes the lowest order address.
VCC		DEVICE POWER SUPPLY(5V±10%)
GND		GROUND

## BUS OPERATION

Flash memory reads, erases and writes in-system via the local CPU. All bus cycles to or from the flash memory conform to standard microprocessor bus cycles.

**Table 2.1 Bus Operations for Word-Wide Mode ( $\overline{\text{BYTE}} = \text{VIH}$ )**

Mode	Notes	$\overline{\text{PWD}}$	$\overline{\text{CE1}}$	$\overline{\text{CE2}}$	$\overline{\text{OE}}$	$\overline{\text{WE}}$	A0	A1	A9	Q0-Q7	Q8-Q14	Q15/A-1	RY/ $\overline{\text{BY}}$
Read	1,2,7	VIH	VIL	VIL	VIL	VIH	X	X	X	DOUT	DOUT	DOUT	X
OutputDisable	1,6,7	VIH	VIL	VIL	VIH	VIH	X	X	X	HighZ	HighZ	HighZ	X
Standby	1,6,7	VIH VIH	VIL VIH VIH	VIH VIL	X	X	X	X	X	HighZ	HighZ	HighZ	X
DeepPower-Down	1,3	VIL	X	X	X	X	X	X	X	HighZ	HighZ	HighZ	VOH
ManufacturerID	4,8	VIH	VIL	VIL	VIL	VIH	VIL	VIL	VID	C2H	00H	0B	VOH
Device ID MX29F1610A	4,8	VIH	VIL	VIL	VIL	VIH	VIH	VIL	VID	FAH/FBH	00H	0B	VOH
Write	1,5,6	VIH	VIL	VIL	VIH	VIL	X	X	X	DIN	DIN	DIN	X

**Table 2.2 Bus Operations for Byte-Wide Mode ( $\overline{\text{BYTE}} = \text{VIL}$ )**

Mode	Notes	$\overline{\text{PWD}}$	$\overline{\text{CE1}}$	$\overline{\text{CE2}}$	$\overline{\text{OE}}$	$\overline{\text{WE}}$	A0	A1	A9	Q0-Q7	Q8-Q14	Q15/A-1	RY/ $\overline{\text{BY}}$
Read	1,2,7,9	VIH	VIL	VIL	VIL	VIH	X	X	X	DOUT	HighZ	VIL/VIH	X
OutputDisable	1,6,7	VIH	VIL	VIL	VIH	VIH	X	X	X	HighZ	HighZ	X	X
Standby	1,6,7	VIH VIH	VIL VIH VIH	VIH VIL	X	X	X	X	X	HighZ	HighZ	X	X
DeepPower-Down	1,3	VIL	X	X	X	X	X	X	X	HighZ	HighZ	X	VOH
ManufacturerID	4,8	VIH	VIL	VIL	VIL	VIH	VIL	VIL	VID	C2H	HighZ	VIL	VOH
Device ID MX29F1610A	4,8	VIH	VIL	VIL	VIL	VIH	VIH	VIL	VID	FAH/FBH	HighZ	VIL	VOH
Write	1,5,6	VIH	VIL	VIL	VIH	VIL	X	X	X	DIN	HighZ	VIL/VIH	X

### NOTES :

- 1.X can be VIH or VIL for address or control pins except for RY/ $\overline{\text{BY}}$  which is either VOL or VOH.
- 2.RY/ $\overline{\text{BY}}$  output is open drain. When the WSM is ready, Erase is suspended or the device is in deep power-down mode, RY/ $\overline{\text{BY}}$  will be at VOH if it is tied to VCC through a 1K ~ 100K resistor. When the RY/ $\overline{\text{BY}}$  at VOH is independent of  $\overline{\text{OE}}$  while a WSM operation is in progress.
- 3.PWD at GND  $\pm$  0.2V ensures the lowest deep power-down current.
4. A0 and A1 at VIL provide manufacturer ID codes. A0 at VIH and A1 at VIL provide device ID codes. A0 at VIL, A1 at VIH and with appropriate sector addresses provide Sector Protect Code.(Refer to Table 4)
5. Commands for different Erase operations, Data program operations or Sector Protect operations can only be successfully completed through proper command sequence.
- 6.While the WSM is running. RY/ $\overline{\text{BY}}$  in Level-Mode stays at VOL until all operations are complete. RY/ $\overline{\text{BY}}$  goes to VOH when the WSM is not busy or in erase suspend mode.
7. RY/ $\overline{\text{BY}}$  may be at VOL while the WSM is busy performing various operations. For example, a status register read during a write operation.
8. VID = 11.5V- 12.5V.
9. Q15/A-1 = VIL, Q0 - Q7 =D0-D7 out . Q15/A-1 = VIH, Q0 - Q7 = D8 -D15 out.



**WRITE OPERATIONS**

Commands are written to the COMMAND INTERFACE REGISTER (CIR) using standard microprocessor write timings. The CIR serves as the interface between the microprocessor and the internal chip operation. The CIR can decipher Read Array, Read Silicon ID, Erase and Program command. In the event of a read command, the CIR simply points the read path at either the array or the silicon ID, depending on the specific read command given. For a program or erase cycle, the CIR informs the write state machine that a program or erase has been requested. During a program cycle, the write state machine will control the program sequences and the CIR

will only respond to status reads. During a sector/chip erase cycle, the CIR will respond to status reads and erase suspend. After the write state machine has completed its task, it will allow the CIR to respond to its full command set. The CIR stays at read status register mode until the microprocessor issues another valid command sequence.

Device operations are selected by writing commands into the CIR. Table 3 below defines 16 Mbit flash family command.

**TABLE 3. COMMAND DEFINITIONS**

Command Sequence		Read/Reset	Silicon ID Read	Page/Byte Program	Chip Erase	Sector Erase	Erase Suspend	Erase Resume	Read Status Reg.	Clear Status Reg.
Bus Write Cycles Req'd		4	4	4	6	6	1	1	4	3
First Bus Write Cycle	Addr	5555H	5555H	5555H	5555H	5555H	XXXX	XXXX	5555H	5555H
	Data	AAH	AAH	AAH	AAH	AAH	B0H	D0H	AAH	AAH
Second Bus Write Cycle	Addr	2AAAH	2AAAH	2AAAH	2AAAH	2AAAH			2AAAH	2AAAH
	Data	55H	55H	55H	55H	55H			55H	55H
Third Bus Write Cycle	Addr	5555H	5555H	5555H	5555H	5555H			5555H	5555H
	Data	F0H	90H	A0H	80H	80H			70H	50H
Fourth Bus Read/Write Cycle	Addr	RA	00H/01H	PA	5555H	5555H			X	
	Data	RD	C2H/FAH (FBH)	PD	AAH	AAH			SRD	
Fifth Bus Write Cycle	Addr				2AAAH	2AAAH				
	Data				55H	55H				
Sixth Bus Write Cycle	Addr				5555H	SA				
	Data				10H	30H				

**COMMAND DEFINITIONS(continue Table 3.)**

Command Sequence		Sector Protection	Sector Unprotect	Verify Sector Protect
Bus Write Cycles Req'd		6	6	4
First Bus Write Cycle	Addr	5555H	5555H	5555H
	Data	AAH	AAH	AAH
Second Bus Write Cycle	Addr	2AAAH	2AAAH	2AAAH
	Data	55H	55H	55H
Third Bus Write Cycle	Addr	5555H	5555H	5555H
	Data	60H	60H	90H
Fourth Bus Read/Write Cycle	Addr	5555H	5555H	*
	Data	AAH	AAH	C2H*
Fifth Bus Write Cycle	Addr	2AAAH	2AAAH	
	Data	55H	55H	
Sixth Bus Write Cycle	Addr	SA**	SA**	
	Data	20H	40H	

**Notes:**

- Address bit A15 -- A19 = X = Don't care for all address commands except for Program Address(PA) and Sector Address(SA).  
5555H and 2AAAH address command codes stand for Hex number starting from A0 to A14.
- Bus operations are defined in Table 2.
- RA = Address of the memory location to be read.  
PA = Address of the memory location to be programmed. Addresses are latched on the falling edge of the  $\overline{WE}$  pulse.  
SA = Address of the sector to be erased. The combination of A16 -- A19 will uniquely select any sector.
- RD = Data read from location RA during read operation.  
PD = Data to be programmed at location PA. Data is latched on the rising edge of  $\overline{WE}$ .  
SRD = Data read from status register.
- Only Q0-Q7 command data is taken, Q8-Q15 = Don't care.  
\* Refer to Table 4, Figure 12.
- The details of sector protection/unprotect algorithm are shown in Fig.10 and Fig.11.

## DEVICE OPERATION

### SILICON ID READ

The Silicon ID Read mode allows the reading out of a binary code from the device and will identify its manufacturer and type. This mode is intended for use by programming equipment for the purpose of automatically matching the device to be programmed with its corresponding programming algorithm. This mode is functional over the entire temperature range of the device.

To activate this mode, the programming equipment must force VID (11.5V~12.5V) on address pin A9. Two identifier bytes may then be sequenced from the device outputs by toggling address A0 from VIL to VIH. All addresses are don't cares except A0 and A1.

The manufacturer and device codes may also be read via the command register, for instances when the MX29F1610A is erased or programmed in a system without access to high voltage on the A9 pin. The command sequence is illustrated in Table 3.

Byte 0 (A0=VIL) represents the manufacturer's code (MXIC=C2H) and byte 1 (A0=VIH) the device identifier code (MX29F1610A=FAH).

The Silicon ID Read mode will be terminated after the following write command cycle.

**Table 4. MX29F1610 Silion ID Codes and Verify Sector Protect Code**

Type	A <sub>19</sub>	A <sub>18</sub>	A <sub>17</sub>	A <sub>16</sub>	A <sub>1</sub>	A <sub>0</sub>	Code(HEX)	DQ <sub>7</sub>	DQ <sub>6</sub>	DQ <sub>5</sub>	DQ <sub>4</sub>	DQ <sub>3</sub>	DQ <sub>2</sub>	DQ <sub>1</sub>	DQ <sub>0</sub>
Manufacturer Code	X	X	X	X	VIL	VIL	C2H*	1	1	0	0	0	0	1	0
MX29F1610A Device Code	X	X	X	X	VIL	VIH	FAH	1	1	1	1	1	0	1	0/1
Verify Sector Protect	Sector Address***				VIH	VIL	C2H**	1	1	0	0	0	0	1	0

\* MX29F1610A Manufacturer Code = C2H, Device Code = FAH when  $\overline{\text{BYTE}} = \text{VIL}$   
 MX29F1610A Manufacturer Code = 00C2H, Device Code = 00FAH when  $\text{BYTE} = \text{VIH}$

\*\* Outputs C2H at protected sector address, 00H at unprotected scetor address.

\*\*\*All sectors have protect-bit feature. Sector address = (A19, A18,A17,A16)



## READ/RESET COMMAND

The read or reset operation is initiated by writing the read/reset command sequence into the command register. Microprocessor read cycles retrieve array data from the memory. The device remains enabled for reads until the CIR contents are altered by a valid command sequence.

The device will automatically power-up in the read/reset state. In this case, a command sequence is not required to read data. Standard microprocessor read cycles will retrieve array data. This default value ensures that no spurious alteration of the memory content occurs during the power transition. Refer to the AC Read Characteristics and Waveforms for the specific timing parameters.

The MX29F1610A is accessed like an EPROM. When  $\overline{CE}$  and  $\overline{OE}$  are low and  $\overline{WE}$  is high the data stored at the memory location determined by the address pins is asserted on the outputs. The outputs are put in the high impedance state whenever  $\overline{CE}$  or  $\overline{OE}$  is high. This dual line control gives designers flexibility in preventing bus contention.

$\overline{CE}$  stands for the combination of  $\overline{CE1}$  and  $\overline{CE2}$  in MX29F1610A 48-pin TSOP package.  $\overline{CE}$  and stands for  $\overline{CE}$  in 44-pin SOP package.

Note that the read/reset command is not valid when program or erase is in progress.

## PAGE PROGRAM

To initiate Page program mode, a three-cycle command sequence is required. There are two "unlock" write cycles. These are followed by writing the page program command-A0H.

Any attempt to write to the device without the three-cycle command sequence will not start the internal Write State Machine(WSM), no data will be written to the device.

After three-cycle command sequence is given, a byte(word) load is performed by applying a low pulse on the  $\overline{WE}$  or  $\overline{CE}$  input with  $\overline{CE}$  or  $\overline{WE}$  low (respectively) and  $\overline{OE}$  high. The address is latched on the falling edge of  $\overline{CE}$  or  $\overline{WE}$ , whichever occurs last. The data is latched by the first rising edge of  $\overline{CE}$  or  $\overline{WE}$ . Maximum of 128 bytes of data may be loaded into each page by the same procedure as outlined in the page program section below.

## BYTE-WIDE LOAD/WORD-WIDE LOAD

Byte(word) loads are used to enter the 128 bytes(64 words) of a page to be programmed or the software codes for data protection. A byte load(word load) is performed by applying a low pulse on the  $\overline{WE}$  or  $\overline{CE}$  input with  $\overline{CE}$  or  $\overline{WE}$  low (respectively) and  $\overline{OE}$  high. The address is latched on the falling edge of  $\overline{CE}$  or  $\overline{WE}$ , whichever occurs last. The data is latched by the first rising edge of  $\overline{CE}$  or  $\overline{WE}$ .

Either byte-wide load or word-wide load is determined( $\text{Byte} = \text{VIL}$  or  $\text{VIH}$  is latched) on the falling edge of the  $\overline{WE}$ (or  $\overline{CE}$ ) during the 3rd command write cycle.

## PROGRAM

Any page to be programmed should have the page in the erased state first, i.e. performing sector erase is suggested before page programming can be performed.

The device is programmed on a page basis. If a byte(word) of data within a page is to be changed, data for the entire page can be loaded into the device. Any byte(word) that is not loaded during the programming of its page will be still in the erased state (i.e. FFH). Once the bytes of a page are loaded into the device, they are simultaneously programmed during the internal programming period. After the first data byte(word) has been loaded into the device, successive bytes(words) are entered in the same manner. The time between byte (word) loads must be less than 30us otherwise the load period could be terminated. A6 to A19 specify the page address, i.e., the device is page-aligned on 128 bytes(64 words)boundary. The page address must be valid during each high to low transition of  $\overline{WE}$  or  $\overline{CE}$ . A-1 to A5 specify the byte address within the page, A0 to A5 specify the word address within the page. The byte(word) may be loaded in any order; sequential loading is not required. If a high to low transition of  $\overline{CE}$  or  $\overline{WE}$  is not detected within 100us of the last low to high transition, the load period will end and the internal programming period will start. The Auto page program terminates when status on DQ7 is '1' at which time the device stays at read status register mode until the CIR contents are altered by a valid command sequence.(Refer to table 3,6 and Figure 1,7,8)

## CHIP ERASE

Chip erase is a six-bus cycle operation. There are two "unlock" write cycles. These are followed by writing the "set-up" command-80H. Two more "unlock" write cycles are then followed by the chip erase command-10H.

Chip erase does not require the user to program the device prior to erase.

The automatic erase begins on the rising edge of the last  $\overline{WE}$  pulse in the command sequence and terminates when the status on DQ7 is "1" at which time the device stays at read status register mode. The device remains enabled for read status register mode until the CIR contents are altered by a valid command sequence.(Refer to table 3,6 and Figure 2,7,9)

**Table 5. MX29F1610 Sector Address Table (Byte-Wide Mode)**

	A19	A18	A17	A16	Address Range[A19, -1]
SA0	0	0	0	0	000000H--01FFFFH
SA1	0	0	0	1	020000H--03FFFFH
SA2	0	0	1	0	040000H--05FFFFH
SA3	0	0	1	1	060000H--07FFFFH
SA4	0	1	0	0	080000H--09FFFFH
	...	....	...	...	.....
SA15	1	1	1	1	1E0000H--1FFFFFFH

## SECTOR ERASE

Sector erase is a six-bus cycle operation. There are two "unlock" write cycles. These are followed by writing the set-up command-80H. Two more "unlock" write cycles are then followed by the sector erase command-30H. The sector address is latched on the falling edge of  $\overline{WE}$ , while the command (data) is latched on the rising edge of  $\overline{WE}$ .

Sector erase does not require the user to program the device prior to erase. The system is not required to provide any controls or timings during these operations.

The automatic sector erase begins on the rising edge of the last  $\overline{WE}$  pulse in the command sequence and terminates when the status on DQ7 is "1" at which time the device stays at read status register mode. The device remains enabled for read status register mode until the CIR contents are altered by a valid command sequence.(Refer to table 3,6 and Figure 3,4,7,9))

## ERASE SUSPEND

This command only has meaning while the the WSM is executing SECTOR erase operation, and therefore will only be responded to during SECTOR erase operation. After this command has been executed, the CIR will initiate the WSM to suspend erase operations, and then return to Read Status Register mode. The WSM will set the DQ6 bit to a "1". Once the WSM has reached the Suspend state,the WSM will set the DQ7 bit to a "1", At this time, WSM allows the CIR to respond to the Read Array, Read Status Register and Erase Resume commands only. In this mode, the CIR will not resopnd to any other comands. The WSM will continue to run, idling in the SUSPEND state, regardless of the state of all input control pins, with the exclusion of  $\overline{PWD}$ .  $\overline{PWD}$  low will immediately shut down the WSM and the remainder of the chip.

## ERASE RESUME

This command will cause the CIR to clear the suspend state and set the DQ6 to a '0', but only if an Erase Suspend command was previously issued. Erase Resume will not have any effect in all other conditions.

## READ STATUS REGISTER

The MXIC's 16 Mbit flash family contains a status register which may be read to determine when a program or erase operation is complete, and whether that operation completed successfully. The status register may be read at any time by writing the Read Status command to the CIR. After writing this command, all subsequent read operations output data from the status register until another valid command sequence is written to the CIR. A Read Array command must be written to the CIR to return to the Read Array mode.

The status register bits are output on DQ2 - DQ7 (table 6) whether the device is in the byte-wide (x8) or word-wide (x16) mode for the MX29F1610A. In the word-wide mode the upper byte, DQ(8:15) is set to 00H during a Read Status command. In the byte-wide mode, DQ(8:14) are tri-stated and DQ15/A-1 retains the low order address function. DQ0-DQ1 is set to 0H in either x8 or x16 mode.

It should be noted that the contents of the status register are latched on the falling edge of  $\overline{OE}$  or  $\overline{CE}$  whichever occurs last in the read cycle. This prevents possible bus errors which might occur if the contents of the status register change while reading the status register.  $\overline{CE}$  or  $\overline{OE}$  must be toggled with each subsequent status read, or the completion of a program or erase operation will not be evident.

The Status Register is the interface between the microprocessor and the Write State Machine (WSM). When the WSM is active, this register will indicate the status of the WSM, and will also hold the bits indicating whether or not the WSM was successful in performing the desired operation. The WSM sets status bits four through seven and clears bits six and seven, but cannot clear status bits four and five. If Erase fail or Program fail status bit is detected, the Status Register is not cleared until the Clear Status Register command is written. The MX29F1610A automatically outputs Status Register data when read after Chip Erase, Sector Erase, Page Program or Read Status Command write cycle. The internal state machine is set for reading array data upon device power-up, or after deep power-down mode.

## CLEAR STATUS REGISTER

The Erase fail status bit (DQ5) and Program fail status bit (DQ4) are set by the write state machine, and can only be reset by the system software. These bits can indicate various failure conditions (see Table 6). By allowing the system software to control the resetting of these bits, several operations may be performed (such as cumulatively programming several pages or erasing multiple blocks in sequence). The status register may then be read to determine if an error occurred during that programming or erasure series. This adds flexibility to the way the device may be programmed or erased. Additionally, once the program (erase) fail bit happens, the program (erase) operation can not be performed further. The program (erase) fail bit must be reset by system software before further page program or sector (chip) erase are attempted. To clear the status register, the Clear Status Register command is written to the CIR. Then, any other command may be issued to the CIR. Note again that before a read cycle can be initiated, a Read command must be written to the CIR to specify whether the read data is to come from the Array, Status Register or Silicon ID.

**TABLE 6. MX29F1610 STATUS REGISTER**

	STATUS	NOTES	DQ7	DQ6	DQ5	DQ4	DQ3
<b>IN PROGRESS</b>	PROGRAM	1,2	0	0	0	0	0
	ERASE	1,3	0	0	0	0	0
	SUSPEND (NOT COMPLETE) ----- (COMPLETE)	1,4	0 1	0 1	0 0	0 0	0 0
<b>COMPLETE</b>	PROGRAM	1,2	1	0	0	0	0
	ERASE	1,3	1	0	0	0	0
<b>FAIL</b>	PROGRAM	1,5	1	0	0	1	0
	ERASE	1,5	1	0	1	0	0
<b>AFTER CLEARING STATUS REGISTER</b>			1	0	0	0	0

**NOTES:**

1. DQ7 : WRITE STATE MACHINE STATUS  
1 = READY, 0 = BUSY  
DQ6 : ERASE SUSPEND STATUS  
1 = SUSPEND, 0 = NO SUSPEND  
DQ5 : ERASE FAIL STATUS  
1 = FAIL IN ERASE, 0 = SUCCESSFUL ERASE  
DQ4 : PROGRAM FAIL STATUS  
1 = FAIL IN PROGRAM, 0 = SUCCESSFUL PROGRAM  
DQ3=0 = RESERVED FOR FUTURE ENHANCEMENTS.  
These bits are reserved for future use ; mask them out when polling the Status Register.
2. PROGRAM STATUS is for the status during Page Programming or Sector Unprotect mode.
3. ERASE STATUS is for the status during Sector/Chip Erase or Sector Protection mode.
4. SUSPEND STATUS is for Sector Erase mode .
5. FAIL STATUS bit(DQ4 or DQ5) is provided during Page Program or Sector/Chip Erase modes respectively.
6. DQ3 = 0 all the time.

## HARDWARE SECTOR PROTECTION

The MX29F1610A features sector protection. This feature will disable both program and erase operations. The sector protection feature is enabled using system software by the user (Refer to table 3). The device is shipped with all sectors unprotected. Alternatively, MXIC may protect all sectors in the factory prior to shipping the device.

## SECTOR PROTECTION

To activate this mode, a six-bus cycle operation is required. There are two 'unlock' write cycles. These are followed by writing the 'set-up' command. Two more 'unlock' write cycles are then followed by the Lock Sector command - 20H. Sector address is latched on the falling edge of  $\overline{CE}$  or  $\overline{WE}$  of the sixth cycle of the command sequence. The automatic Lock operation begins on the rising edge of the last  $\overline{WE}$  pulse in the command sequence and terminates when the Status on DQ7 is '1' at which time the device stays at the read status register mode.

The users have to write Verify Sector Protect command to verify protect status after executing Sector Protector.

The device remains enabled for read status register mode until the CIR contents are altered by a valid command sequence (Refer to table 3,6 and Figure 10,12 ).

## VERIFY SECTOR PROTECT

To verify the Protect status, operation is initiated by writing Silicon ID read command into the command register. Following the command write, a read cycle from address XXX0H retrieves the Manufacturer code of C2H. A read cycle from XXX1H returns the Device code FAH/FBH. A read cycle from appropriate address returns information as to which sectors are protected. To terminate the operation, it is necessary to write the read/reset command sequence into the CIR. (Refer to table 3,4 and Figure 12)

A few retries are required if Protect status can not be verified successfully after each operation.

## SECTOR UNPROTECT

It is also possible to unprotect the sector, same as the first five write command cycles in activating sector protection mode followed by the Unprotect Sector command - 40H, the automatic Unprotect operation begins on the rising edge of the last  $\overline{WE}$  pulse in the command sequence and terminates when the Status on DQ7 is '1' at which time the device stays at the read status register mode. (Refer to table 3,6 and Figure 11,12)

The users have to write Verify Sector Protect command to verify protect status after executing Sector Unprotect.

The device remains enabled for read status register mode until the CIR contents are altered by a valid command sequence.

Either Protect or Unprotect sector mode is accomplished by keeping WP high, i.e. protect-bit status can only be changed with a valid command sequence and WP at high. Protect-bit status will not be changed during chip/sector erase operations. Only unprotected sectors can be programmed or erased regardless of the WP pin.

## DEEP POWER-DOWN MODE

The MXIC's 16 Mbit flash family supports a typical ICC of 1uA in deep power-down mode. One of the target markets for these devices is in portable equipment where the power consumption of the machine is of prime importance. When  $\overline{PWD}$  is a logic low ( $GND \pm 0.2V$ ), all circuits are turned off and the device typically draws 1uA of ICC current.

During erase or program modes,  $\overline{PWD}$  low will abort either erase or program operation. The contents of the memory are no longer valid as the data has been corrupted by the  $\overline{PWD}$  function.

$\overline{PWD}$  transitions to VIL or turning power off to the device will clear the status register.

$\overline{PWD}$  pin is not provided in 44-pin SOP package.

## **RY/ $\overline{\text{BY}}$ PIN AND PROGRAM/ERASE POLLING**

RY/ $\overline{\text{BY}}$  is a dedicated, open-drain page program and sector erase completion. It transitions to VOL after a program or erase command sequence is written to the MX29F1610A, and returns to VCC when the WSM has finished executing the internal algorithm. Since RY/ $\overline{\text{BY}}$  is an open-drain output, several RY/ $\overline{\text{BY}}$  pins can be tied together in parallel with a pull-up resistor to VCC.

RY/ $\overline{\text{BY}}$  can be connected to the interrupt input of the system CPU or controller. It is active at all times, not tristated if the  $\overline{\text{CE}}$  or  $\overline{\text{OE}}$  inputs are brought to VIH. RY/ $\overline{\text{BY}}$  is also VCC when the device is in erase suspend or deep power-down modes.

RY/ $\overline{\text{BY}}$  pin is not provided in 44-pin SOP package.

## **DATA PROTECTION**

The MX29F1610A is designed to offer protection against accidental erasure or programming caused by spurious system level signals that may exist during power transitions. During power up the device automatically resets the internal state machine in the Read Array mode. Also, with its control register architecture, alteration of the memory contents only occurs after successful completion of specific multi-bus cycle command sequences.

The device also incorporates several features to prevent inadvertent write cycles resulting from VCC power-up and power-down transitions or system noise.

## **LOW VCC WRITE INHIBIT**

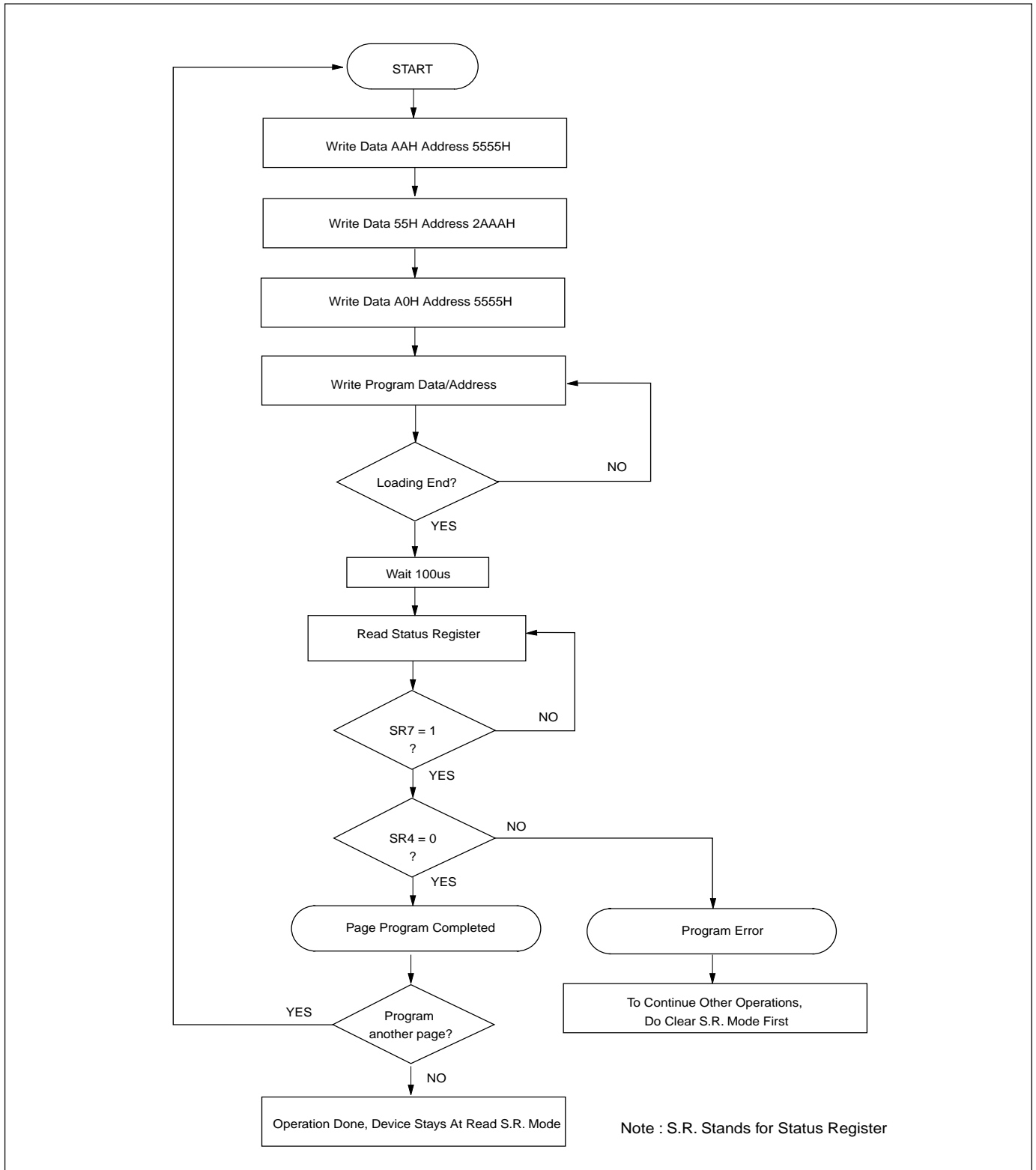
To avoid initiation of a write cycle during VCC power-up and power-down, a write cycle is locked out for VCC less than VLKO(= 3.2V , typically 3.5V). If  $VCC < VLKO$ , the command register is disabled and all internal program/erase circuits are disabled. Under this condition the device will reset to the read mode. Subsequent writes will be ignored until the VCC level is greater than VLKO. It is the user's responsibility to ensure that the control pins are logically correct to prevent unintentional write when VCC is above VLKO.

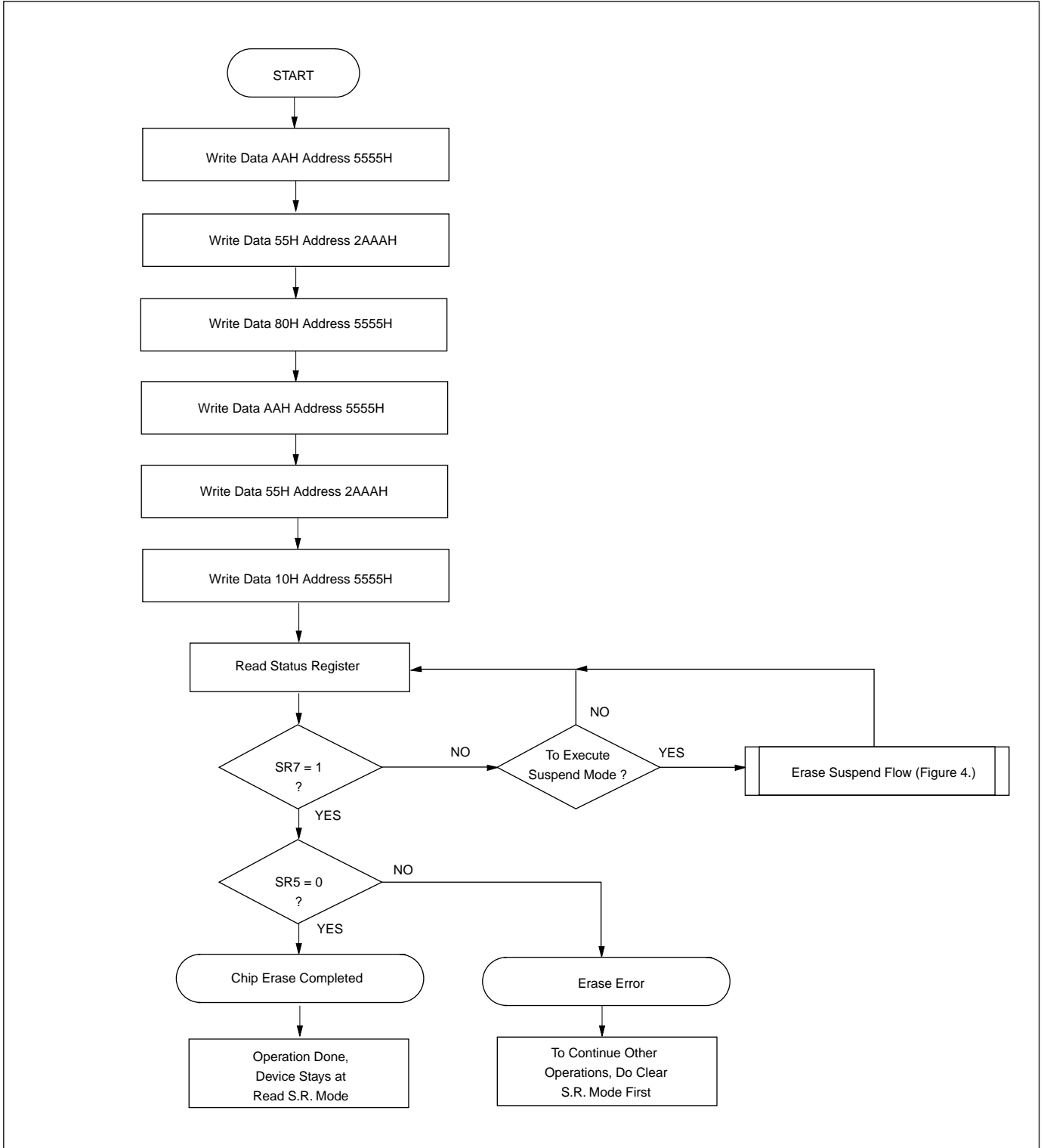
## **WRITE PULSE "GLITCH" PROTECTION**

Noise pulses of less than 10ns (typical) on  $\overline{\text{CE}}$  or  $\overline{\text{WE}}$  will not initiate a write cycle.

## **LOGICAL INHIBIT**

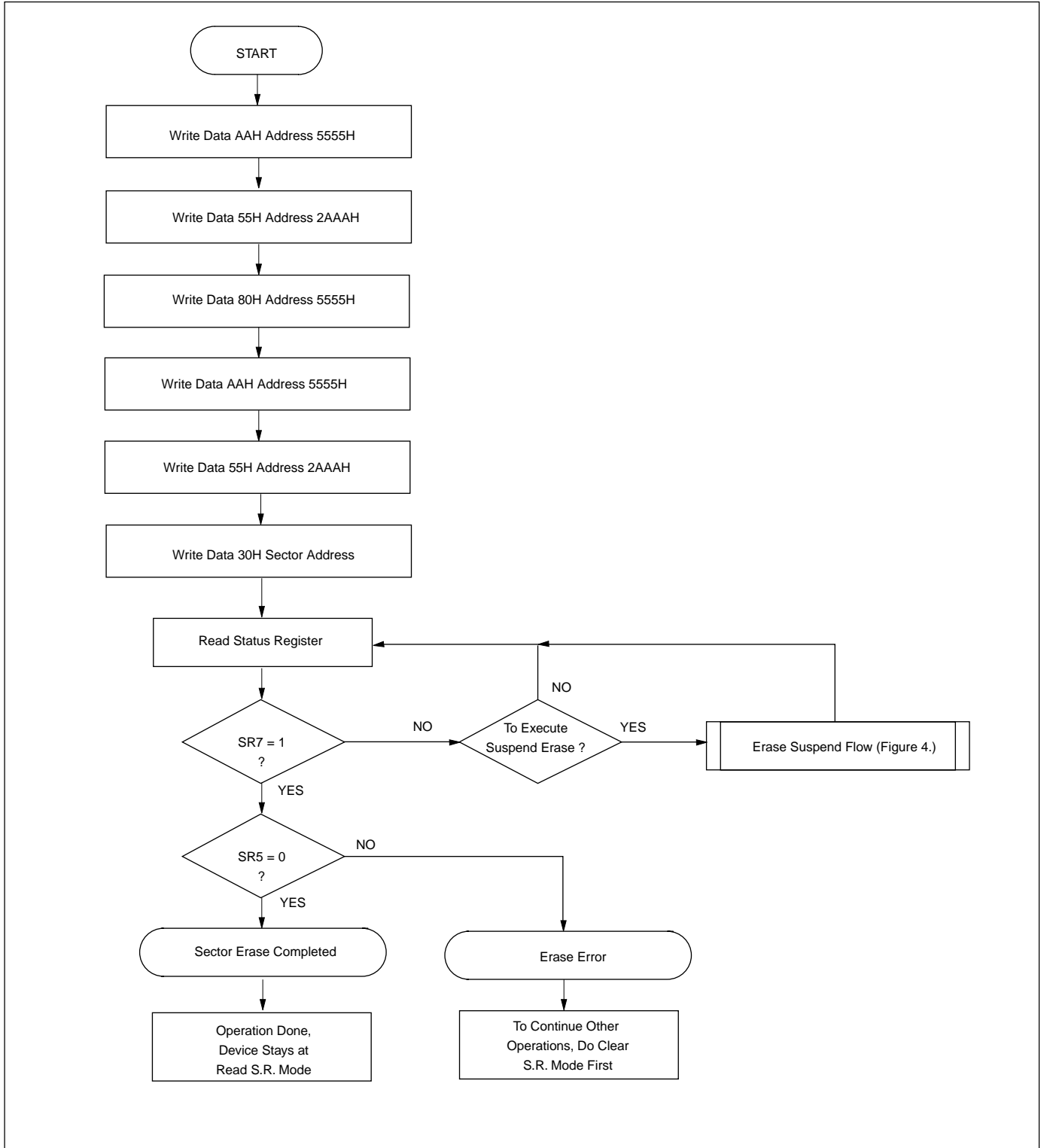
Writing is inhibited by holding any one of  $\overline{\text{OE}} = \text{VIL}$ ,  $\overline{\text{CE}} = \text{VIH}$  or  $\overline{\text{WE}} = \text{VIH}$ . To initiate a write cycle  $\overline{\text{CE}}$  and  $\overline{\text{WE}}$  must be a logical zero while  $\overline{\text{OE}}$  is a logical one.

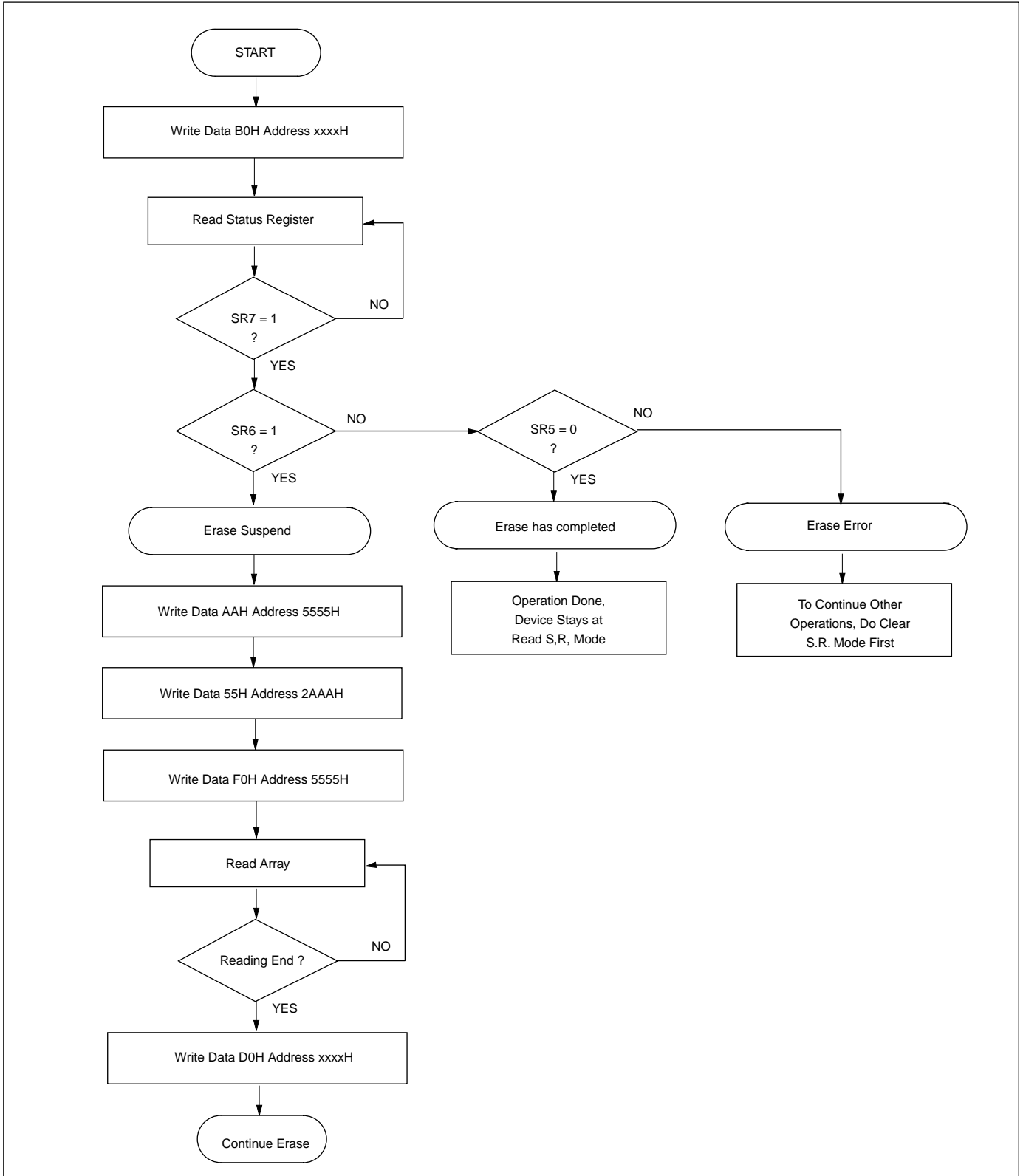
**Figure 1. AUTOMATIC PAGE PROGRAM FLOW CHART**


**Figure 2. AUTOMATIC CHIP ERASE FLOW CHART**




**Figure 3. AUTOMATIC SECTOR ERASE FLOW CHART**



**Figure 4. ERASE SUSPEND/ERASE RESUME FLOW CHART**


## ELECTRICAL SPECIFICATIONS

### ABSOLUTE MAXIMUM RATINGS

RATING	VALUE
Ambient Operating Temperature	0°C to 70°C
Storage Temperature	-65°C to 125°C
Applied Input Voltage	-0.5V to 7.0V
Applied Output Voltage	-0.5V to 7.0V
VCC to Ground Potential	-0.5V to 7.0V
A9	-0.5V to 13.5V

### NOTICE:

Stresses greater than those listed under ABSOLUTE MAXIMUM RATINGS may cause permanent damage to the device. This is stress rating only and functional operational sections of this specification is not implied. Exposure to absolute maximum rating conditions for extended period may affect reliability.

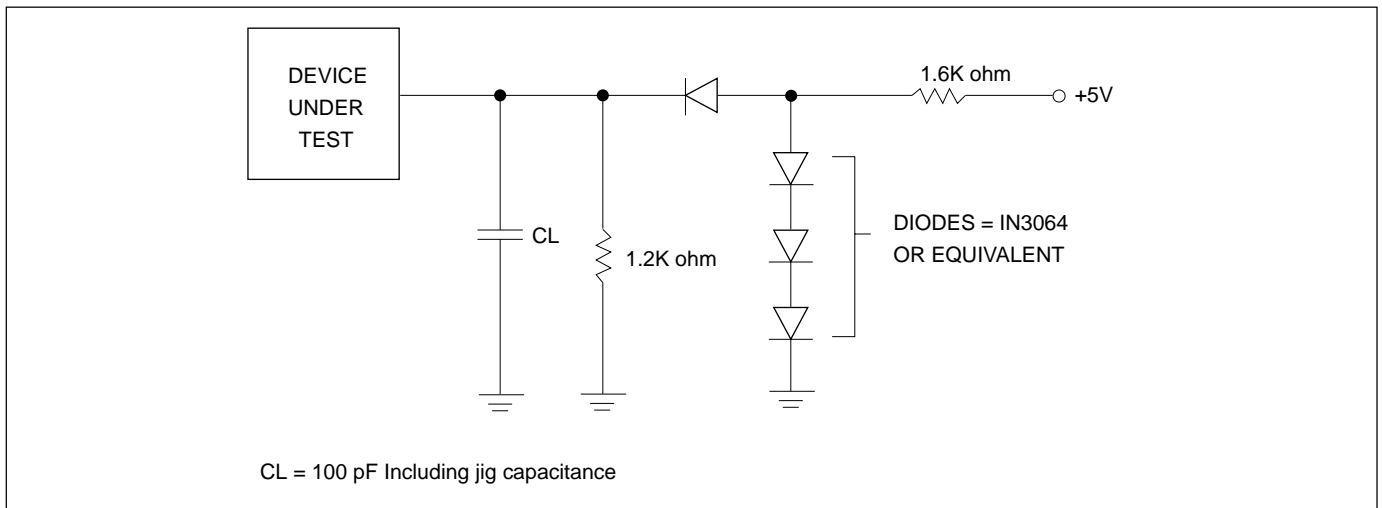
### NOTICE:

Specifications contained within the following tables are subject to change.

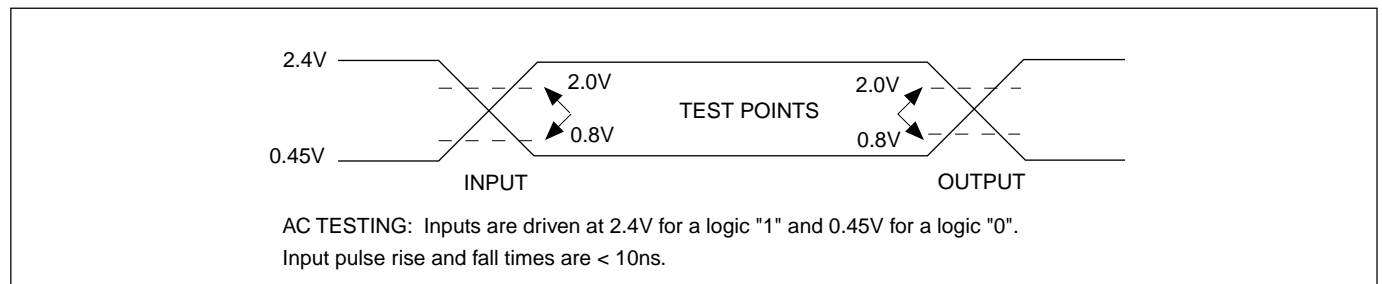
### CAPACITANCE $T_A = 25^\circ\text{C}$ , $f = 1.0\text{ MHz}$

SYMBOL	PARAMETER	MIN.	TYP.	MAX.	UNIT	CONDITIONS
CIN1	Input Capacitance			14	pF	VIN = 0V
CIN2	Control Pin Input Capacitance			16	pF	VIN=0V
COUT	Output Capacitance			16	pF	VOUT = 0V

### SWITCHING TEST CIRCUITS



### SWITCHING TEST WAVEFORMS





## DC CHARACTERISTICS = 0°C to 70°C, VCC = 5V±10%

SYMBOL	PARAMETER	NOTES	MIN.	TYP.	MAX.	UNITS	TEST CONDITIONS
IIL	Input Load Current	1			±10	uA	VCC = VCC Max VIN = VCC or GND
ILO	Output Leakage Current	1			±10	uA	VCC = VCC Max VIN = VCC or GND
ISB1	VCC Standby Current(CMOS)	1		1	100	uA	VCC = VCC Max CE1, CE2, PWD = VCC ± 0.2V
ISB2	VCC Standby Current(TTL)			2	4	mA	VCC = VCC Max CE1, CE2, PWD = VIH
IDP	VCC Deep Power-Down Current	1		1	20	uA	PWD = GND ± 0.2V
ICC1	VCC Read Current	1		50	60	mA	VCC = VCC Max CMOS: CE1, CE2 = GND ± 0.2V BYTE = GND ± 0.2V or VCC ± 0.2V Inputs = GND ± 0.2V or VCC ± 0.2V TTL: CE1, CE2 = VIL, BYTE = VIL or VIH Inputs = VIL or VIH, f = 10MHz, IOU = 0 mA
ICC2	VCC Read Current	1		30	35	mA	VCC = VCC Max, CMOS: CE1, CE2 = GND ± 0.2V BYTE = VCC ± 0.2V or GND ± 0.2V Inputs = GND ± 0.2V or VCC ± 0.2V TTL: CE1, CE2 = VIL, BYTE = VIH or VIL Inputs = VIL or VIH, f = 5MHz, IOU = 0mA
ICC3	VCC Erase Suspend Current	1,2		5	10	mA	CE1, CE2 = VIH Block Erase Suspended
ICC4	VCC Program Current	1		30	50	mA	Program in Progress
ICC5	VCC Erase Current	1		30	50	mA	Erase in Progress
VIL	Input Low Voltage	3	-0.3		0.8	V	
VIH	Input High Voltage	4	2.4		VCC+0.3	V	
VOL	Output Low Voltage				0.45	V	IOL = 2.1mA
VOH	Output High Voltage		2.4			V	IOH = -2mA

**DC CHARACTERISTICS = 0°C to 70°C, VCC = 5V±10%(CONTINUE P.21)**
**NOTES:**

1. All currents are in RMS unless otherwise noted. Typical values at VCC = 5.0V, T = 25°C. These currents are valid for all product versions (package and speeds).
2. ICC3 is specified with the device de-selected. If the device is read while in erase suspend mode, current draw is the sum of ICC3 and ICC1/2.
3. VIL min. = -1.0V for pulse width is equal to or less than 50ns.  
VIL min. = -2.0V for pulse width is equal to or less than 20ns.
4. VIH max. = VCC + 1.5V for pulse width is equal to or less than 20ns. If VIH is over the specified maximum value, read operation cannot be guaranteed.

**AC CHARACTERISTICS – READ OPERATIONS**

SYMBOL	DESCRIPTIONS	29F1610A-90		29F1610A-10		29F1610A-12		UNIT	CONDITIONS
		MIN.	MAX.	MIN.	MAX.	MIN.	MAX.		
tACC	Address to Output Delay		90		100		120	ns	$\overline{CE}=\overline{OE}=VIL$
tCE	$\overline{CE}$ to Output Delay		90		100		120	ns	$\overline{OE}=VIL$
tOE	$\overline{OE}$ to Output Delay		50		55		60	ns	$\overline{CE}=VIL$
tDF	$\overline{OE}$ High to Output Delay	0	35	0	55	0	55	ns	$\overline{CE}=VIL$
tOH	Address to Output hold	0		0		0		ns	$\overline{CE}=\overline{OE}=VIL$
tBACC	$\overline{BYTE}$ to Output Delay		90		100		120	ns	$\overline{CE}=\overline{OE}=VIL$
tBHZ	$\overline{BYTE}$ Low to Output in High Z		50		55		55	ns	$\overline{CE}=VIL$
tDPR	Deep Power-Down Recovery		0		0		0	ns	

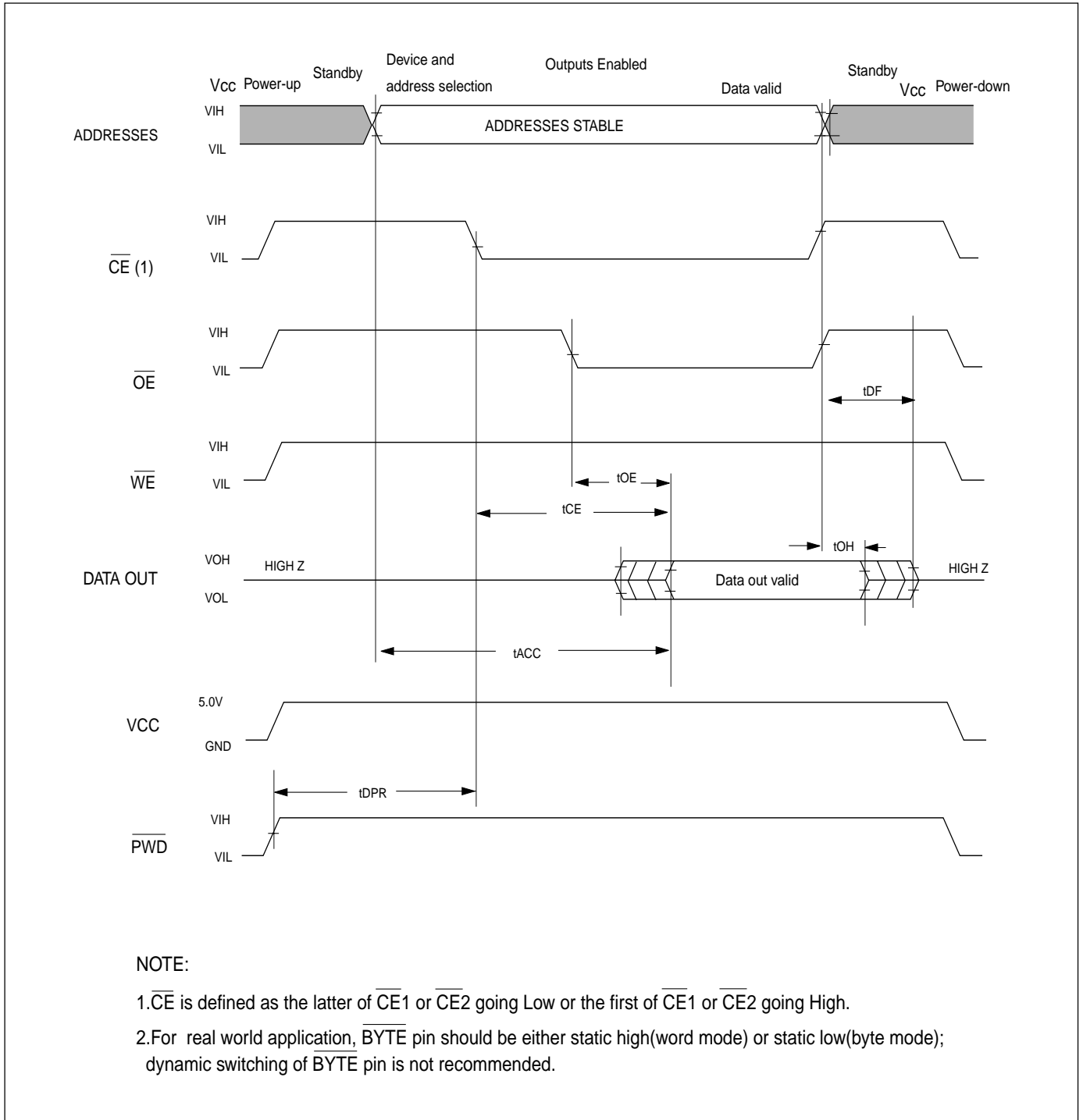
**TEST CONDITIONS:**

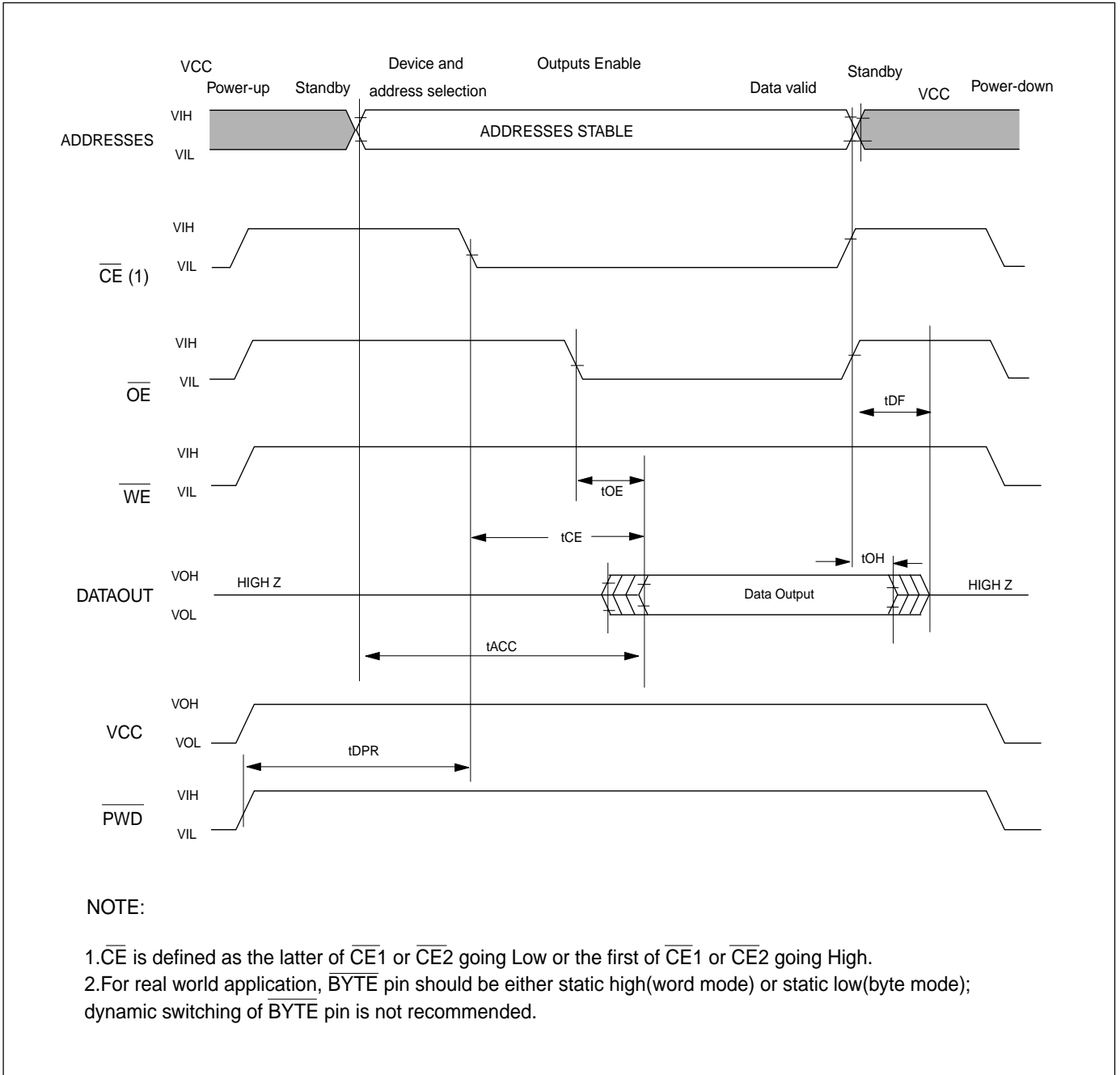
- Input pulse levels: 0.45V/2.4V
- Input rise and fall times: 10ns
- Output load: 1TTL gate+100pF(Including scope and jig)
- Reference levels for measuring timing: 0.8V, 2.0V

**NOTE:**

1. tDF is defined as the time at which the output achieves the open circuit condition and data is no longer driven.

**Figure 5. READ TIMING WAVEFORMS**

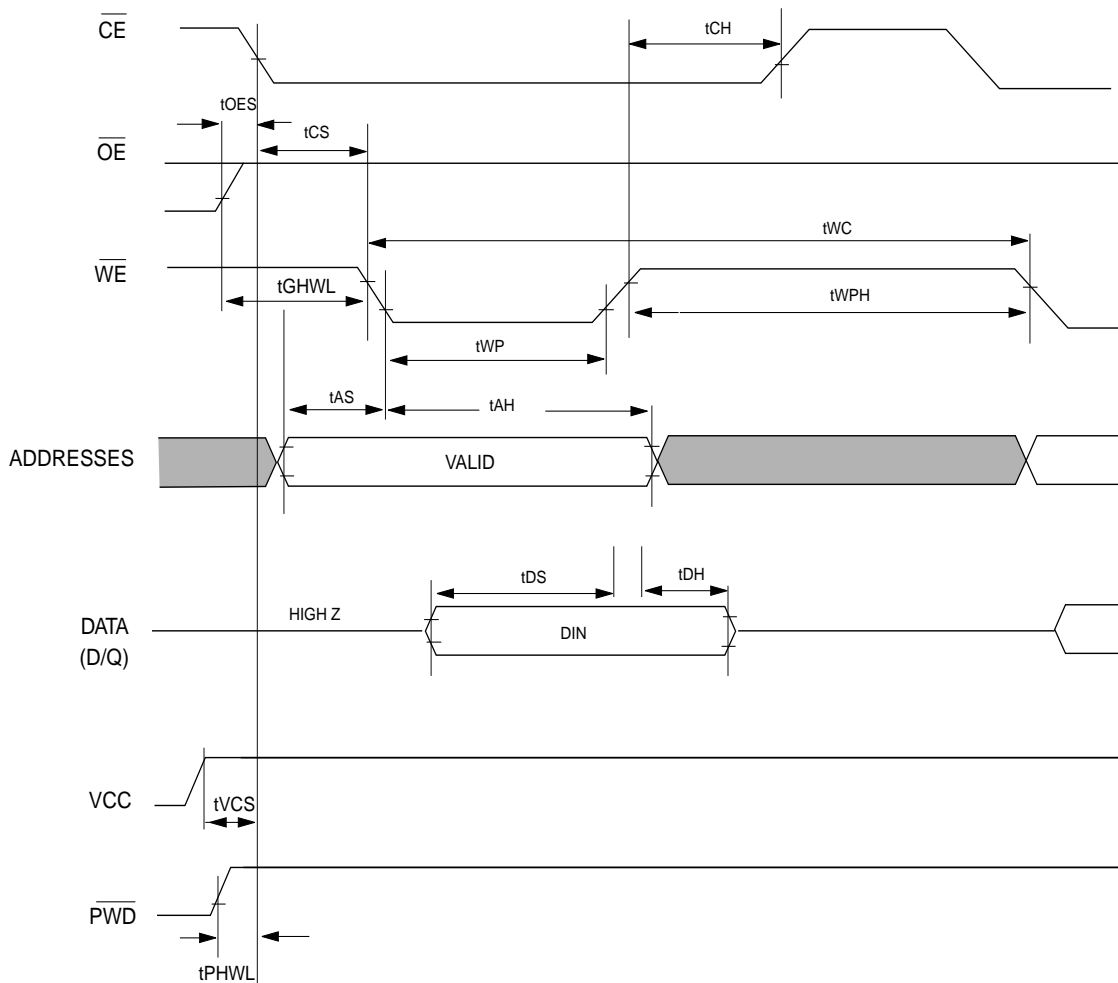


**Figure 6. BYTE TIMING WAVEFORMS**


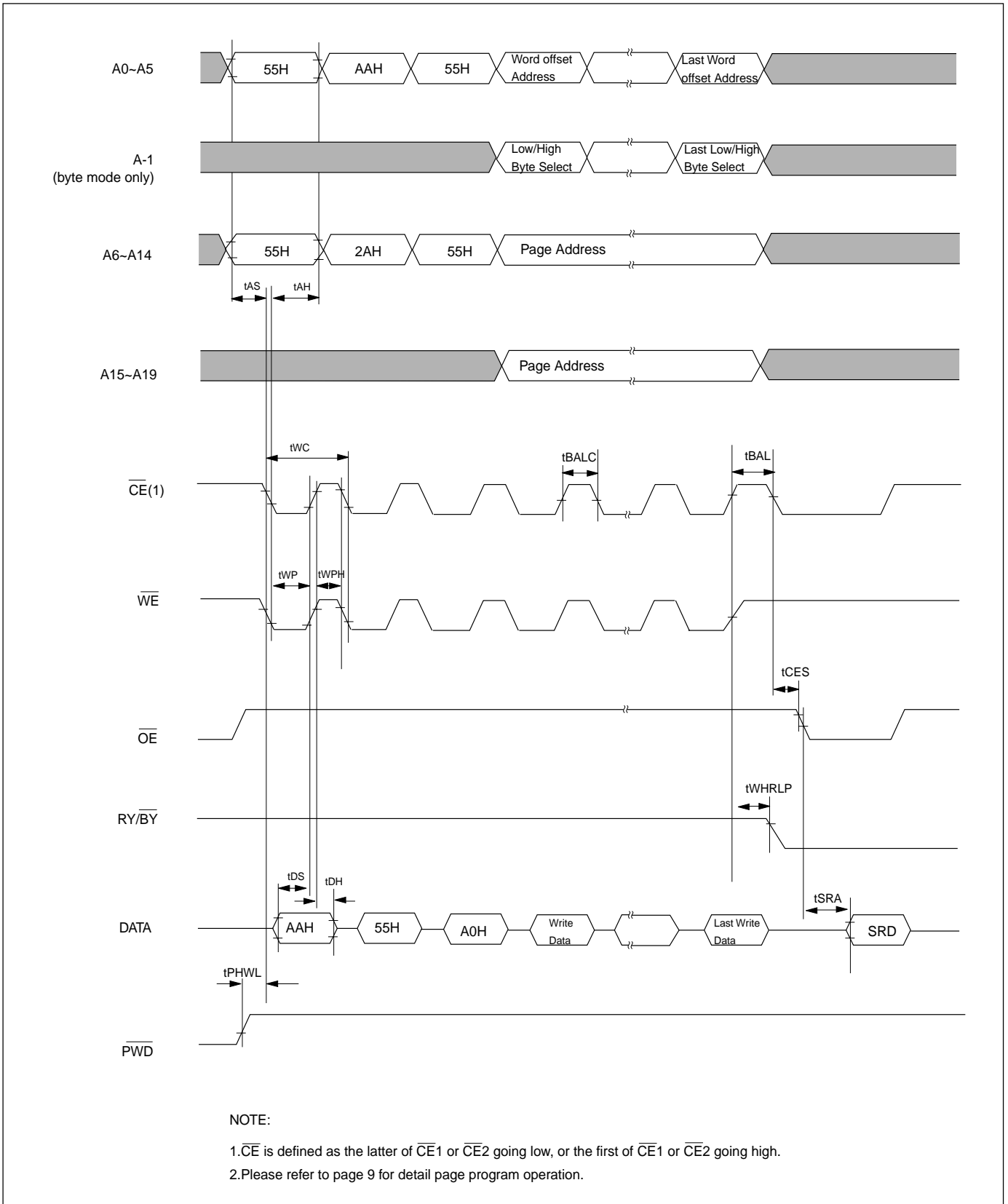
**AC CHARACTERISTICS—WRITE/ERASE/PROGRAM OPERATIONS**

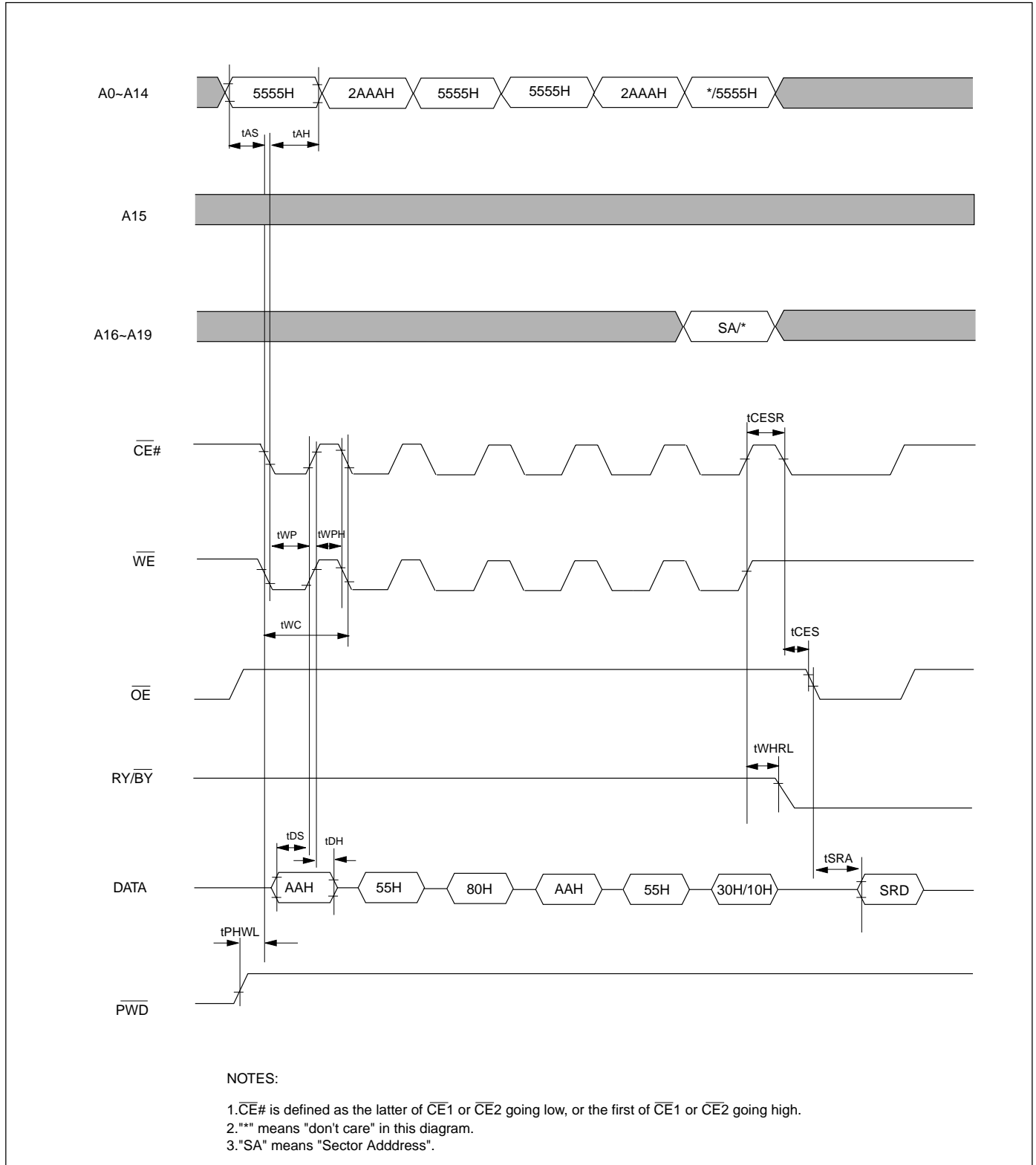
SYMBOL	DESCRIPTION	29F1610A-90		29F1610A-10		29F1610A-12		UNIT
		MIN.	MAX.	MIN.	MAX.	MIN.	MAX.	
tWC	Write Cycle Time	90		100		120		ns
tAS	Address Setup Time	0		0		0		ns
tAH	Address Hold Time	50		55		60		ns
tDS	Data Setup Time	50		55		60		ns
tDH	Data Hold Time	0		0		0		ns
tOES	Output Enable Setup Time	0		0		0		ns
tCES	$\overline{\text{CE}}$ Setup Time	0		0		0		ns
tGHWL	Read Recover Time Before Write	0		0		0		
tCS	$\overline{\text{CE}}$ Setup Time	0		0		0		ns
tCH	$\overline{\text{CE}}$ Hold Time	0		0		0		ns
tWP	Write Pulse Width	50		55		60		ns
tWPH	Write Pulse Width High	30		50		50		ns
tBALC	Byte(Word) Address Load Cycle	0.3	30	0.3	30	0.3	30	us
tBAL	Byte(Word) Address Load Time	100		100		100		us
tSRA	Status Register Access Time	90		100		120		ns
tCESR	$\overline{\text{CE}}$ Setup before S.R. Read	70		70		70		ns
tWHRL	$\overline{\text{WE}}$ High to RY/BY Going Low	90		90		90		ns
tWHRLP	$\overline{\text{WE}}$ High to RY/BY Going Low (in Page Program mode)	90		90		90		us
tPHWL	$\overline{\text{PWD}}$ High Recovery to $\overline{\text{WE}}$ Going Low	0		0		0		ns
tVCS	VCC Setup Time	50		50		50		us



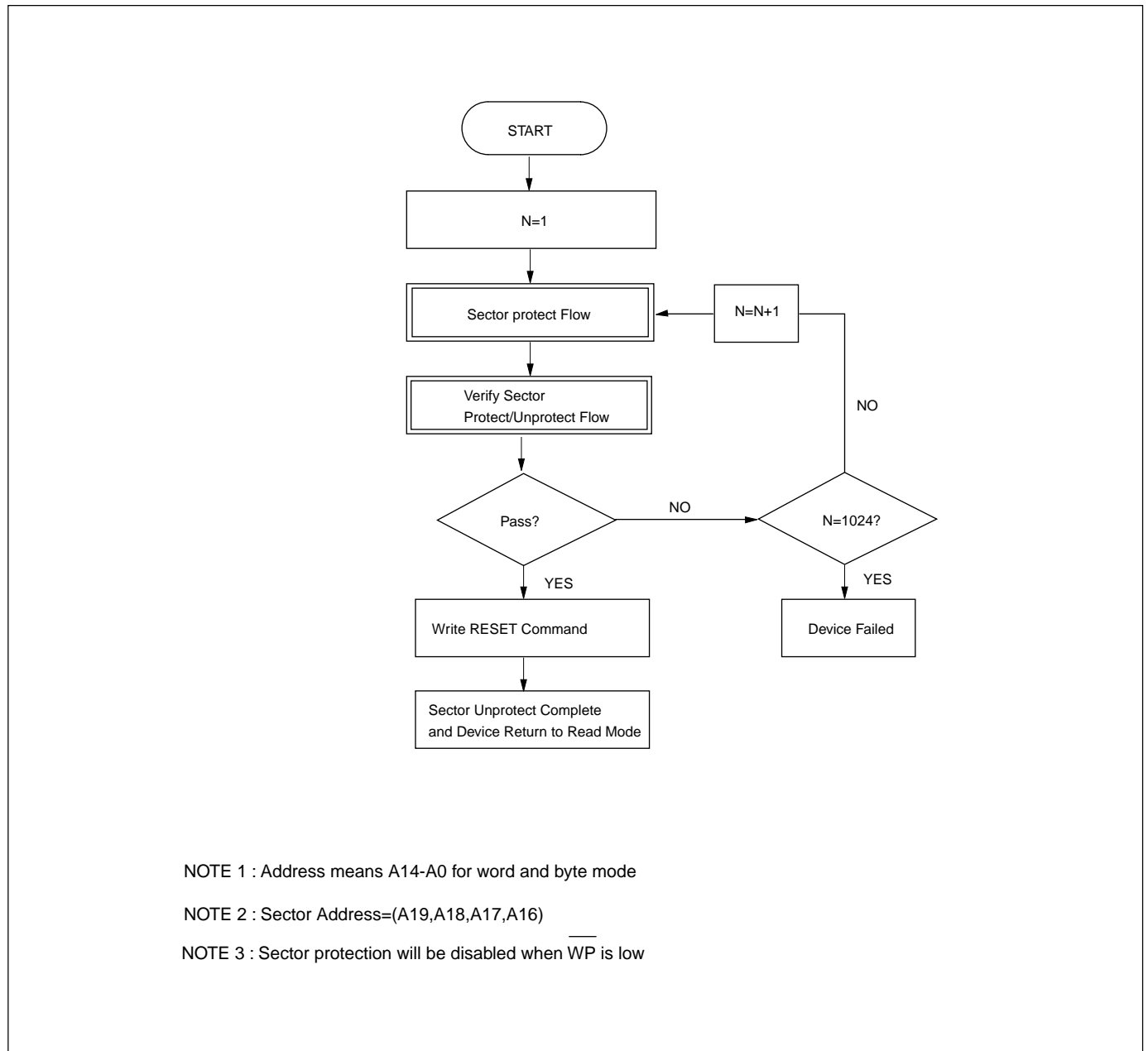
**Figure 7. COMMAND WRITE TIMING WAVEFORMS**

**NOTE:**

1. **BYTE** pin is treated as Address pin. All timing specifications for **BYTE** pin are the same as those for address pin.
2. **BYTE** pin is sampled on the falling edge of **WE** or **CE** during the 3rd command write bus cycle; for real world application, **BYTE** pin should be either static high(word mode) or static low(byte mode).

**Figure 8. AUTOMATIC PAGE PROGRAM TIMING WAVEFORMS**


**Figure 9. AUTOMATIC SECTOR/CHIP ERASE TIMING WAVEFORMS**


**Figure 10. SECTOR PROTECTION ALGORITHM**  
 (Only one sector can be protected at one time)

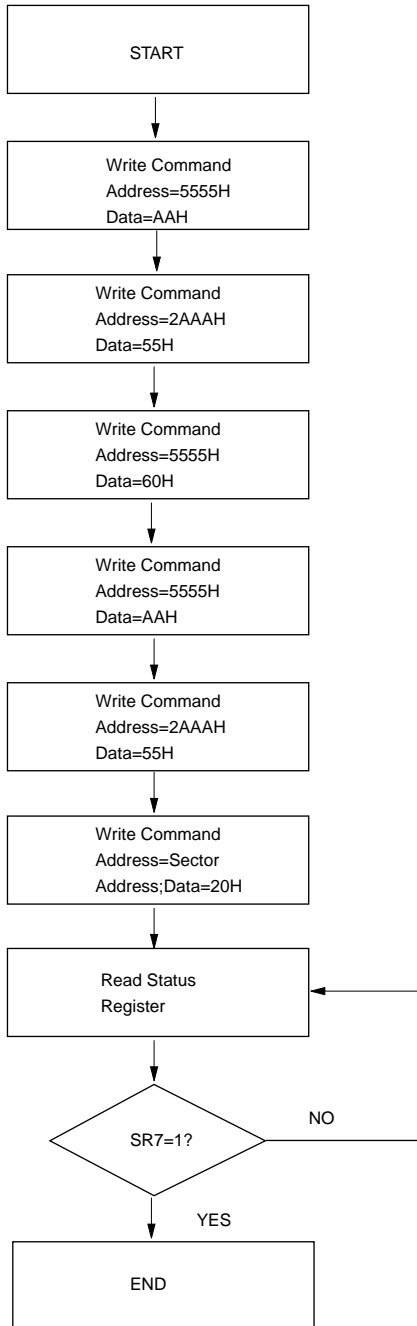


NOTE 1 : Address means A14-A0 for word and byte mode

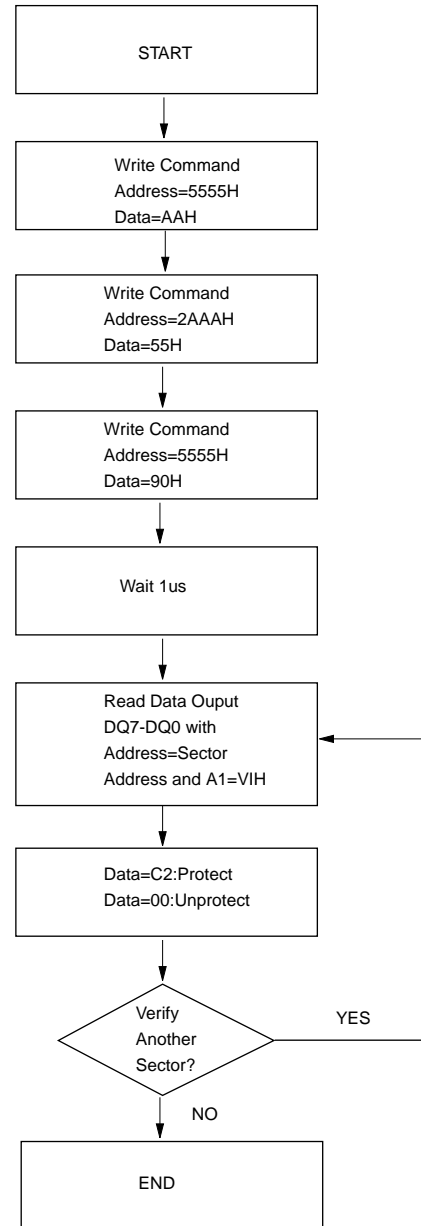
NOTE 2 : Sector Address=(A19,A18,A17,A16)

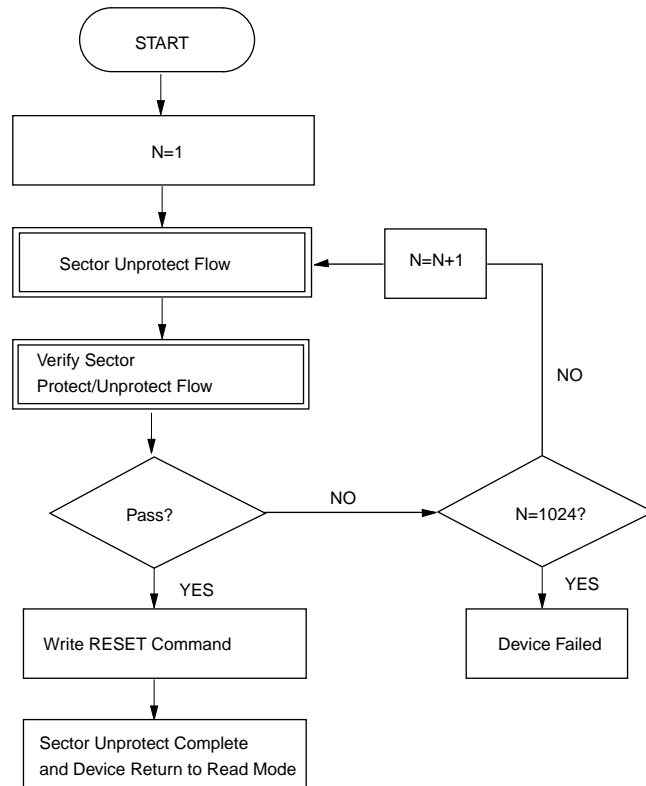
NOTE 3 : Sector protection will be disabled when WP is low

## Sector Protect Flow



## Verify Sector Protect/Unprotect Flow



**Figure 11. SECTOR UNPROTECT ALGORITHM**


NOTE 1 : Address means A14-A0 for word and byte mode

NOTE 2 : During interation, sector address should be the sectors which have not passed the verify procedure after previous interation

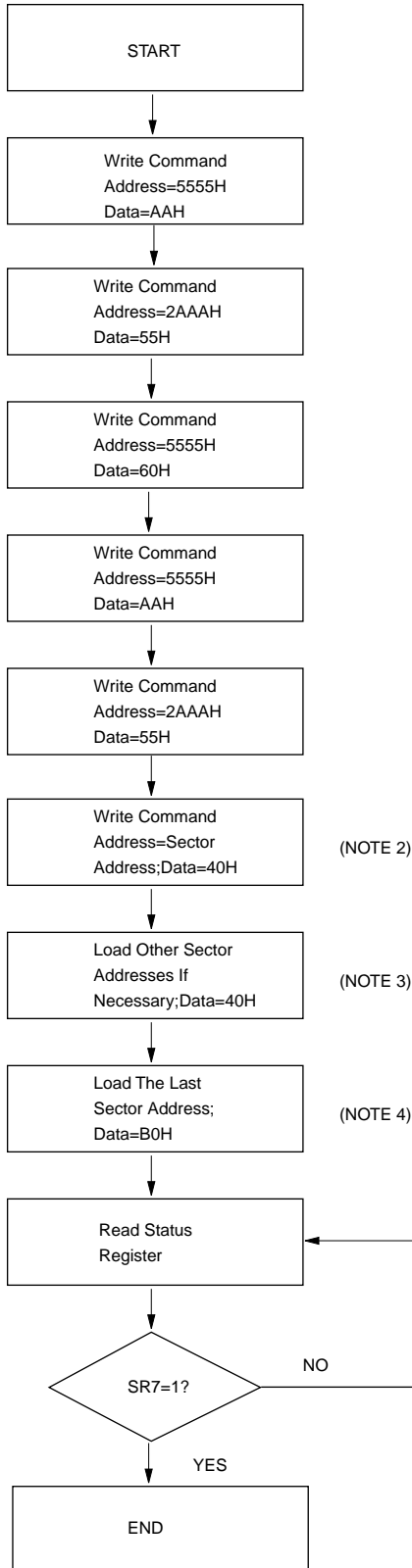
NOTE 3 : The sector(s), which had passed the sector unprotect verification must not enter the sector unprotect flow anymore

NOTE 4 : During loading sector addresses, DATA=BOH means the last sector address loaded to be unprotectected

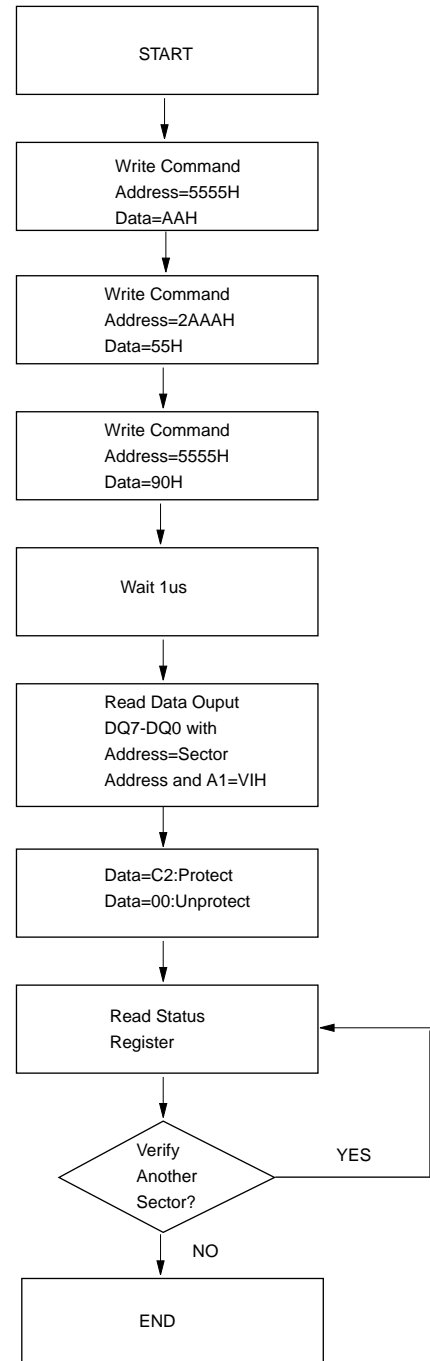
NOTE 5 : Sector Address=(A19, A18, A17, A16)

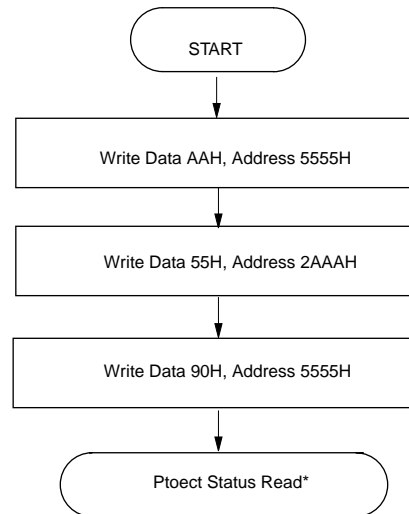
NOTE 6 : Sector Unprotect will be disabled when  $\overline{WP}$  is low

## Sector Unprotect Flow



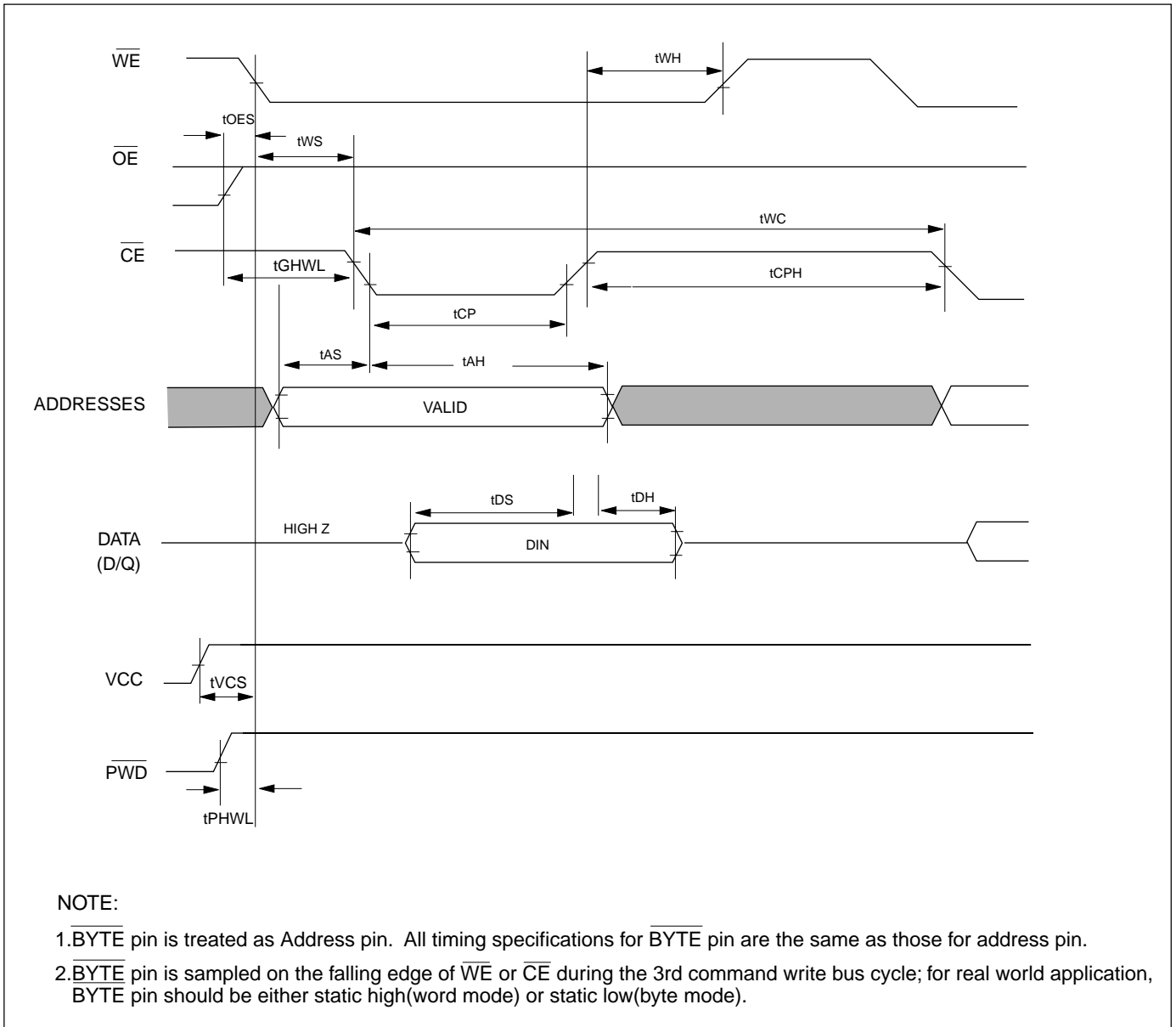
## Verify Sector Protect/Unprotect Flow



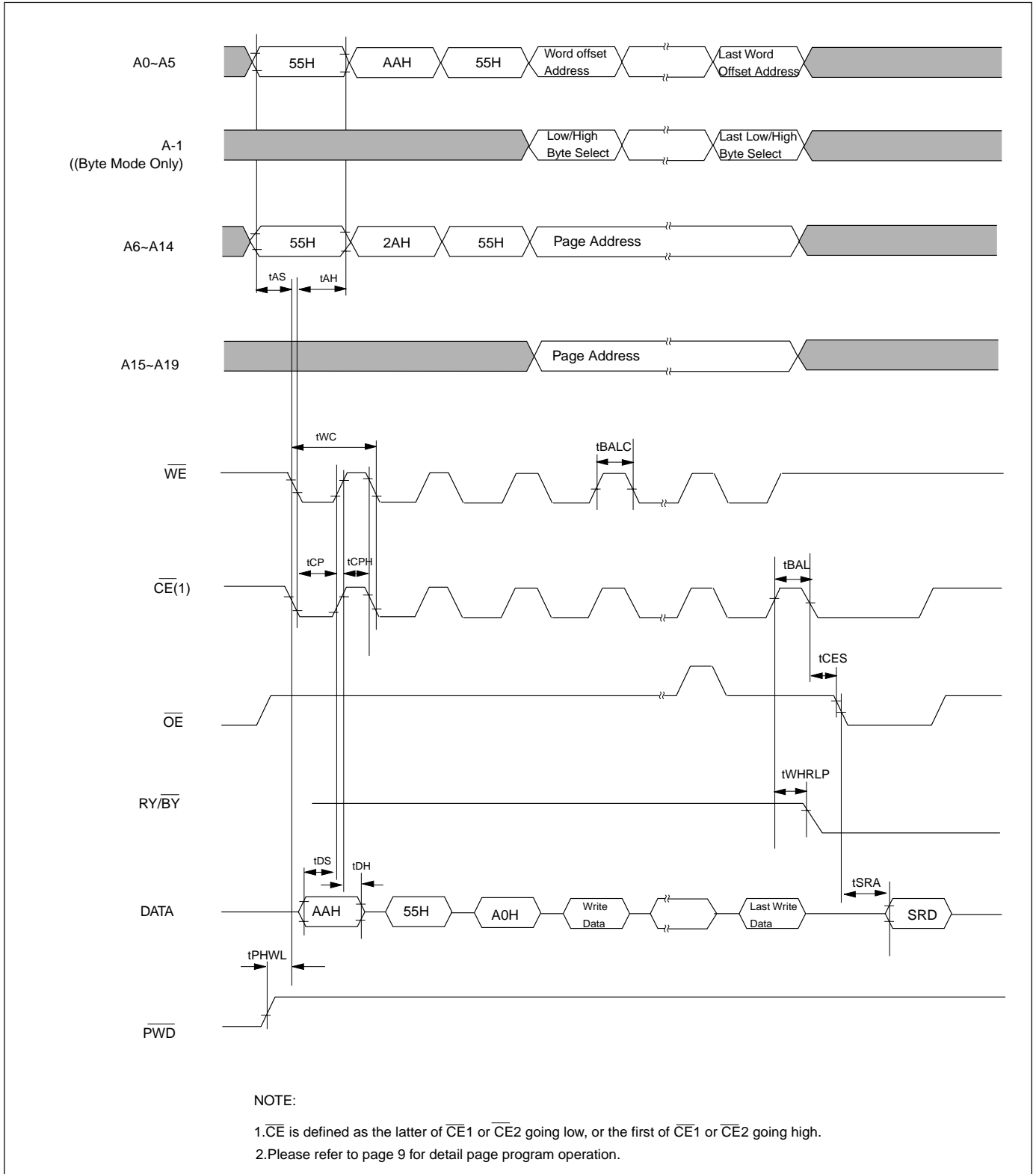
**Figure 12. VERIFY SECTOR PROTECT FLOW CHART**

- \* 1. Protect Status:  
Data Outputs C2H as Protected Sector Verified Code.  
Data Outputs 00H as Unprotected Sector Verified Code.
- 2. Sepecified address will be  
(A19,A18,A17,A16) = Sector address  
(A1, A0)=(1,0) the rest of the address pins are don't care.
- 3. Silicon ID can be read via this Flow Chart.  
Refer to Table 4.



**Figure 13. COMMAND WRITE TIMING WAVEFORMS(Alternate  $\overline{\text{CE}}$  Controlled)**


**Figure 14. AUTOMATIC PAGE PROGRAM TIMING WAVEFORM(Alternate  $\overline{CE}$  Controlled)**



**ERASE AND PROGRAMMING PERFORMANCE**

PARAMETER	LIMITS			UNITS
	MIN.	TYP.(1)	MAX.(2)	
Sector Erase Time		1	8	s
Chip Erase Time		32	256	s
Page Programming Time		0.9	27	ms
Chip Programming Time		14	42	sec
Erase/Program Cycles	100,000			Cycles
Byte Program Time		7	300	us

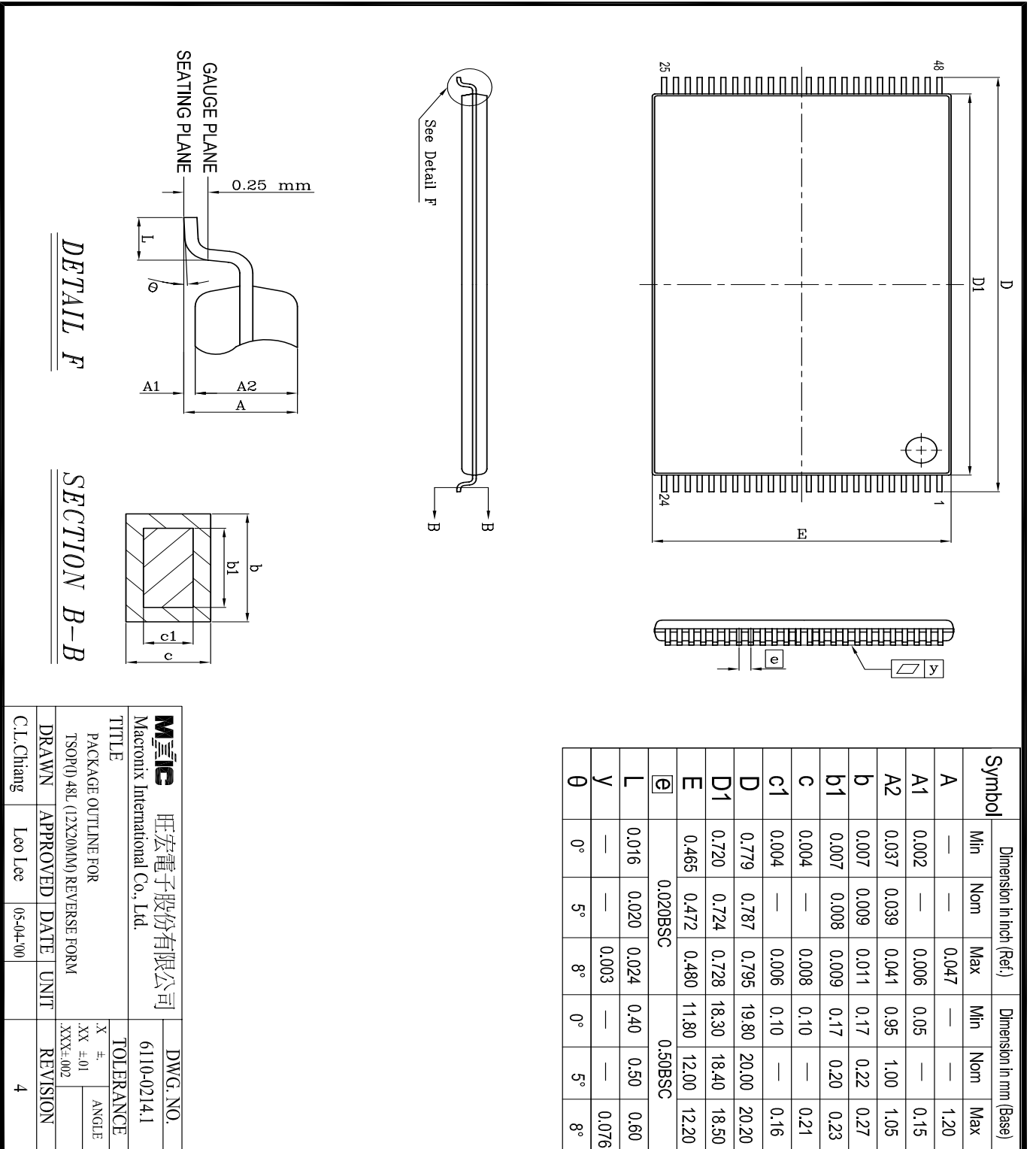
Note: 1.All numbers are sampled, not 100% tested.  
2. Typical values measured at 25°C, VCC=5.0V.

**LATCHUP CHARACTERISTICS**

	MIN.	MAX.
Input Voltage with respect to GND on all pins except I/O pins	-1.0V	13.5V
Input Voltage with respect to GND on all I/O pins	-1.0V	Vcc + 1.0V
Current	-100mA	+100mA
Includes all pins except Vcc. Test conditions: Vcc = 5.0V, one pin at a time.		

## PACKAGE INFORMATION

### 48-PIN PLASTIC TSOP

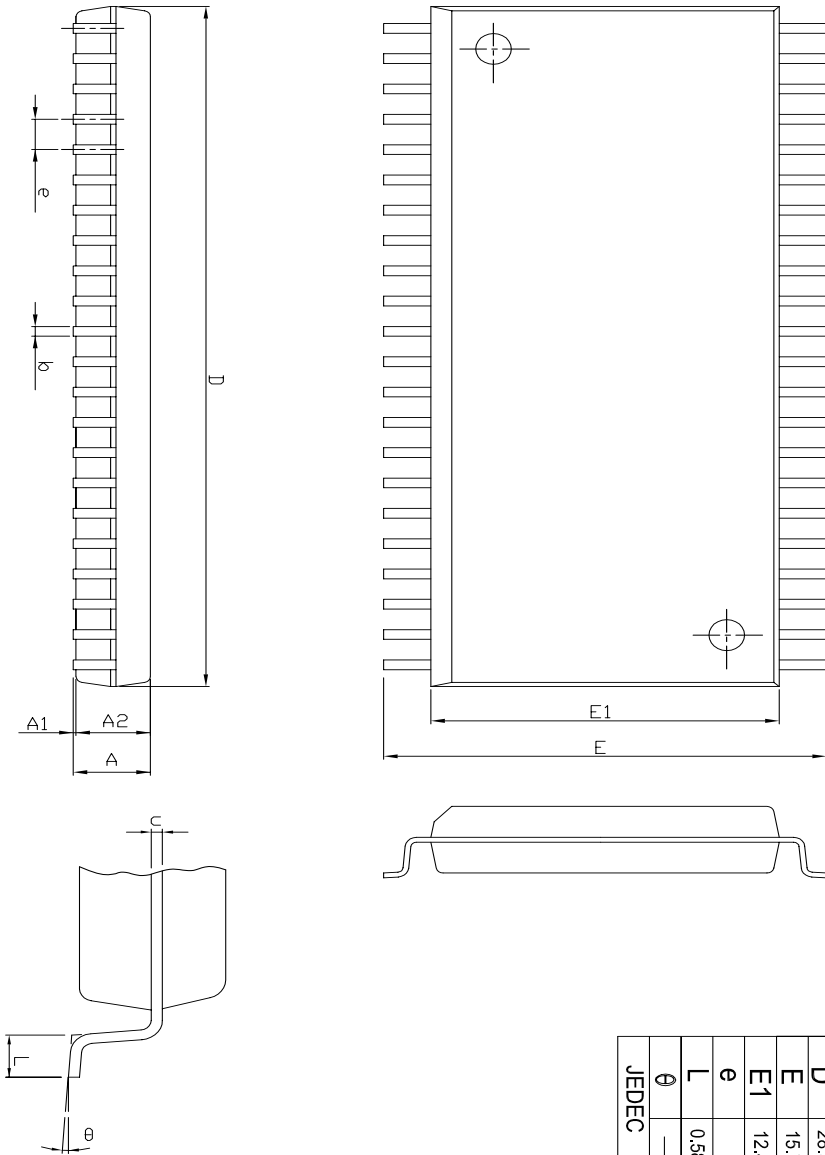


**DETAIL F**

**SECTION B-B**

<b>MIXIC</b> 旺宏電子股份有限公司 Macronix International Co., Ltd.		DWG. NO. 6110-0214.1	
TITLE PACKAGE OUTLINE FOR TSOP(0) 48L (12X20MM) REVERSE FORM			
DRAWN	APPROVED	DATE	UNIT
C.L.Chiang	Leo Lee	05-04-00	
TOLERANCE		REVISION	
.X ±.		4	
.XX ±.01			
.XXX±.002		ANGLE	

## 44-PIN PLASTIC SOP



Symbol	Dimension in mm (Base)			Dimension in inch (Ref.)		
	Min	Nom	Max	Min	Nom	Max
A	—	—	3.00	—	—	0.118
A1	0.10	—	—	0.004	—	—
A2	2.57	2.69	2.82	0.101	0.106	0.111
b	0.41 REF			0.016 REF		
C	0.20 REF			0.008 REF		
D	28.37	28.50	28.63	1.117	1.122	1.127
E	15.77	16.03	16.28	0.621	0.631	0.641
E1	12.47	12.60	12.73	0.491	0.496	0.501
e	1.27 REF			0.050 REF		
L	0.58	0.79	0.99	0.023	0.031	0.039
θ	—	5°		—	5°	

JEDEC

<b>MEXIC</b> 旺宏電子股份有限公司 Macronix International Co., Ltd.		DWG. NO. 6110-0207	
TITLE PACKAGE OUTLINE FOR SOP 44L (500 MIL)			
DRAWN	APPROVED	DATE	UNIT
C.L.Chang	Dennis Chang	05-03-01	INCH
TOLERANCE		REVISION	
X ±	ANGLE	2	
XX ±.01			
.XXX±.002	ROUGHNESS		

**Revision History**

<b>Revision#</b>	<b>Description</b>	<b>Page</b>	<b>Date</b>
1.1	Update ISB1 typical value to 1uA--P20 Add Control Pin Input Capacitance		May/13/1998
1.2	Change resistance value at switching test circuits Change IOH value at DC characteristics	P19 P20	Nov/10/1998
1.3	Change Pin12 of MX29F1610B TSOP from NC to GND	P2	MAR/31/1999
1.4	Remove the 70ns speed grade. Modify Erase and Programming Performance	P1 P35	MAY/18/1999
1.5	Added 100ns to access time	P1,21,24	JUN/20/2000
1.6	Cancel the MX29F1610B Type section	P1~3,8~14 P21,24	NOV/16/2000
1.7	To modify "Package Information"	P36~37	JUN/15/2001



**MX29F1610A**

---

---

## **MACRONIX INTERNATIONAL Co., LTD.**

**HEADQUARTERS:**

TEL:+886-3-578-6688

FAX:+886-3-563-2888

**EUROPE OFFICE:**

TEL:+32-2-456-8020

FAX:+32-2-456-8021

**JAPAN OFFICE:**

TEL:+81-44-246-9100

FAX:+81-44-246-9105

**SINGAPORE OFFICE:**

TEL:+65-348-8385

FAX:+65-348-8096

**TAIPEI OFFICE:**

TEL:+886-2-2509-3300

FAX:+886-2-2509-2200

**MACRONIX AMERICA, INC.**

TEL:+1-408-453-8088

FAX:+1-408-453-8488

**CHICAGO OFFICE:**

TEL:+1-847-963-1900

FAX:+1-847-963-1909

**[http : //www.macronix.com](http://www.macronix.com)**

---