



Representative photograph, actual product appearance may vary.

Due to regional agency approval requirements, some products may not be available in your area.

Please contact your regional Honeywell office regarding your product of choice.

2AV54

2AV Series Hall-Effect Vane Sensor

Features

- Protection against random voltage spikes
- electrical transients up to +80 volts
- reverse power supply to -80 volts
- Stainless steel mounting studs lock sensor in place
- Vane depth of 17.2 mm [0.68 in] allows flexibility in actuator placement
- Wide Operating temperature range
- Current sinking output
- High output current capability

Description

2AV Series Hall effect vane position sensors are specifically designed to translate the relative position of a ferrous metal actuator into a digital electronic signal. The Hall effect integrated circuit and the magnet are in a rugged plastic housing. When a ferrous metal actuator passes between them, the magnetic flux is shunted away from the sensor. This causes the output signal to change state.



2AV54

2AV Series Hall-Effect Vane Sensor

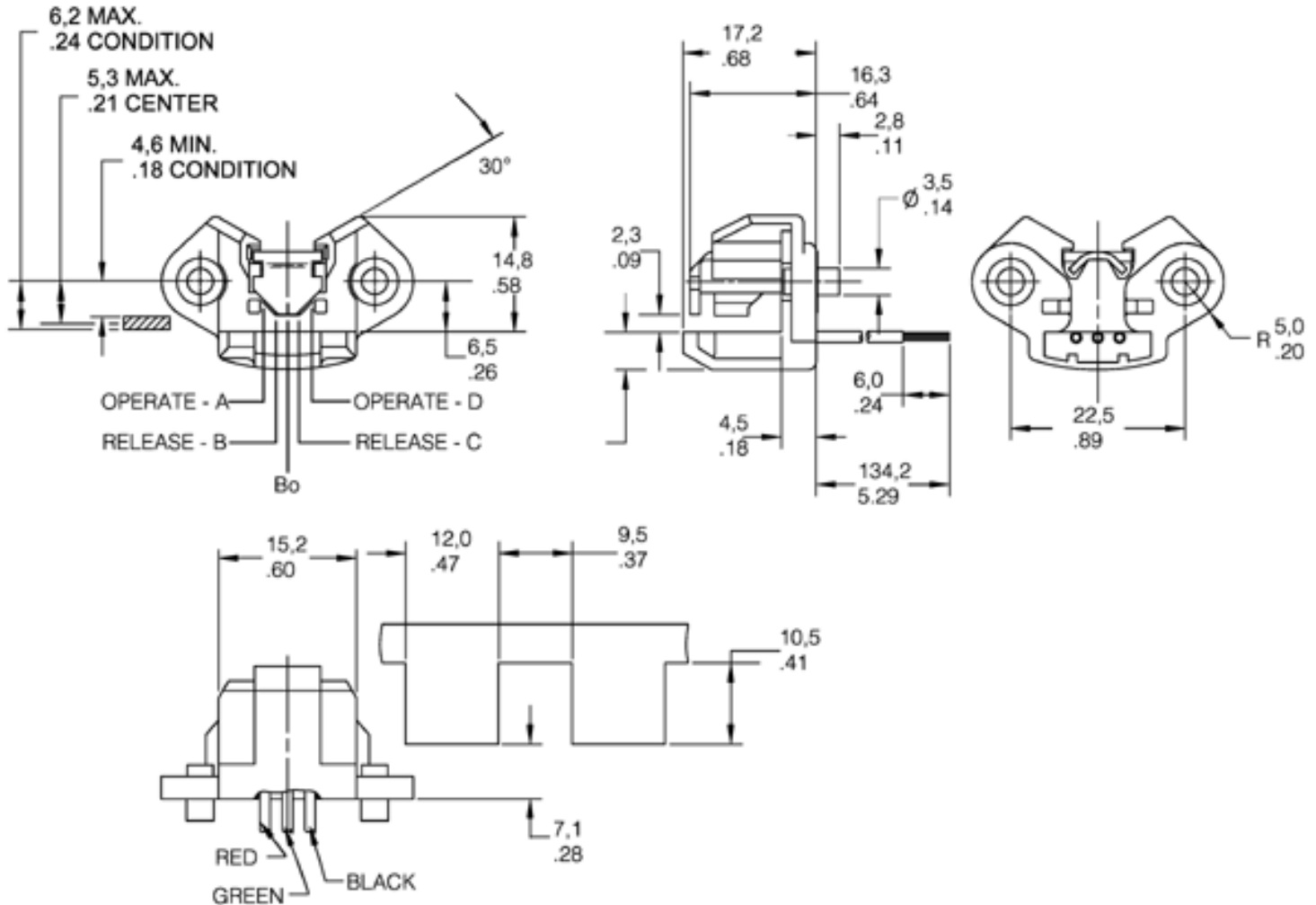
Product Specifications	
Product Type	Hall-Effect Vane Position Sensor
Package Style	Rivet Mount
Supply Voltage	4.5 Vdc to 24.0 Vdc
Output Type	Sink
Operating Temperature Range	-40 °C to 150 °C [-40 °F to 302 °F]
Vibration	45 g per Mil-Std-202, Method 204, Condition E
Humidity	Up to 500 h @ 85 °C, 80 %RH
Salt Spray	48 h per IEC-68-2-11
Temperature Shock	250 air-to-air shock @ -40 °C

Availability	Global
Supply Current (max. @ 25 °C)	22 mA
Output Current (max.)	40 mA
Left Operate	1,19 mm [0.047 in]
Right Operate	1,19 mm [0.047 in]
Left Release	-1,04 mm [-0.041 in]
Right Release	-1,04 mm [-0.041 in]
Left to Right Differential	2,21 mm [0.087 in]
Right to Left Differential	2,21 mm [0.087 in]
Series Name	2AV Series



2AV54

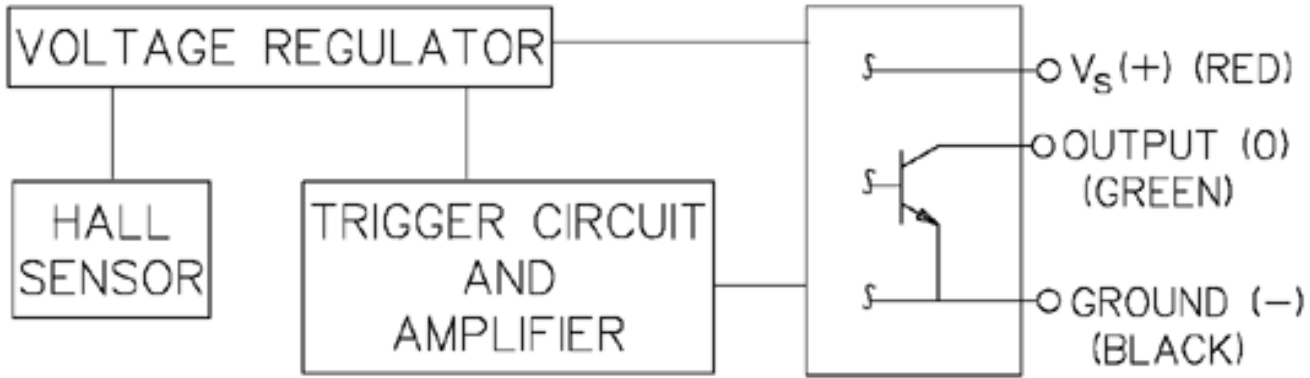
2AV Series Hall-Effect Vane Sensor





2AV54

2AV Series Hall-Effect Vane Sensor



BLOCK DIAGRAM SHOWING CURRENT SINKING OUTPUT



2AV54

2AV Series Hall-Effect Vane Sensor

⚠ WARNING

PERSONAL INJURY

DO NOT USE these products as safety or emergency stop devices, or in any other application where failure of the product could result in personal injury.

Failure to comply with these instructions could result in death or serious injury.