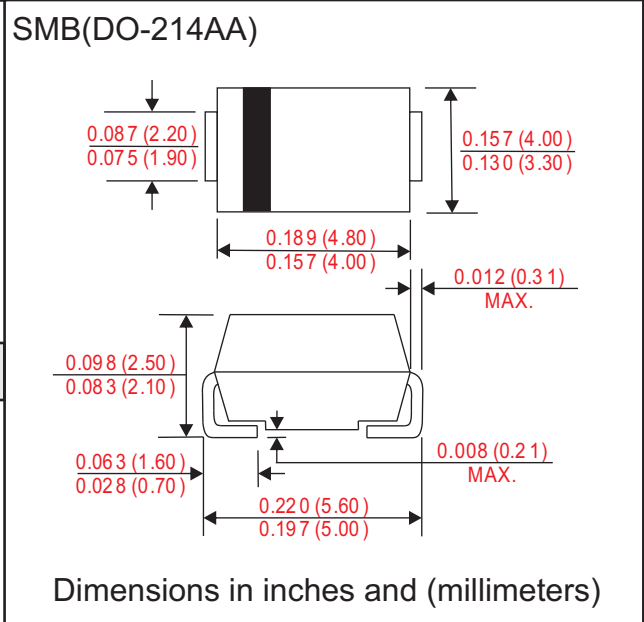


# 2CL04SB

**5 mA Surface Mount Plastic Fast Reverse High Voltage Rectifier**  
**VOLTAGE : 4000Volts**

Features	Outline
----------	---------

- For high resolution displays or TV receivers and working automation equipment.
- Diffused-junction.
- Suffix "G" indicates Halogen-free parts, ex. 2CL04SBG.
- Excellent high temperature output characteristics. (small leakage current at high temperature and excellent reverse characteristics)



Mechanical data
-----------------

- Epoxy:UL94-V0 rated flame retardant
- Case : Molded plastic, DO-214AA/ SMB
- Terminals : Solder plated, solderable per MIL-STD-750, Method 2026
- Polarity : Indicated by cathode band
- Weight : 0.003 ounce, 0.091 gram

MAXIMUM RATINGS AND ELECTRICAL CHARACTERISTICS
--

Rating at 25°C ambient temperature unless otherwise specified. Single phase, half wave, 60Hz, resistive or inductive load. For capacitive load, derate current by 20%.

Parameter	Symbol	2CL04SB	UNIT
Making code		2CL04S	
Maximum Recurrent Peak Reverse Voltage	$V_{RRM}$	4000	V
Maximum RMS Voltage	$V_{RMS}$	2800	
Maximum DC Blocking Voltage	$V_{DC}$	4000	
Average Forward Current 50Hz half-sine wave, resistance load $T_a = 25^\circ C$	$I_{F(AV)}$	5	mA
Non-Repetitive Forward Surge Current 50Hz half-sine wave, 1/2 cycle, $T_a = 25^\circ C$	$I_{FSM}$	0.5	A
Ambient Temperature	$T_{amb}$	-40 ~ +100	°C
Operating and storage Temperature	$T_J, T_{STG}$	-40 ~ +120	°C

Parameter	Conditions	Symbol	2CL04SB	UNIT
Forward voltage	$I_F = 10mA$	$V_F$	15	V
Reverse current	$V_R = V_{RRM} T_A = 25^\circ C$	$I_R$	2	uA
	$V_R = V_{RRM} T_A = 100^\circ C$		5	
Reverse recovery time	$I_F = 2A, I_{RP} = 4mA$	$T_{rr}$	100	nS

# 2CL04SB

5 mA Surface Mount Plastic Fast Reverse High Voltage Rectifier  
 VOLTAGE : 4000Volts

## Rating and characteristic curves

FIG.1-TYPICAL FORWARD CHARACTERISTICS

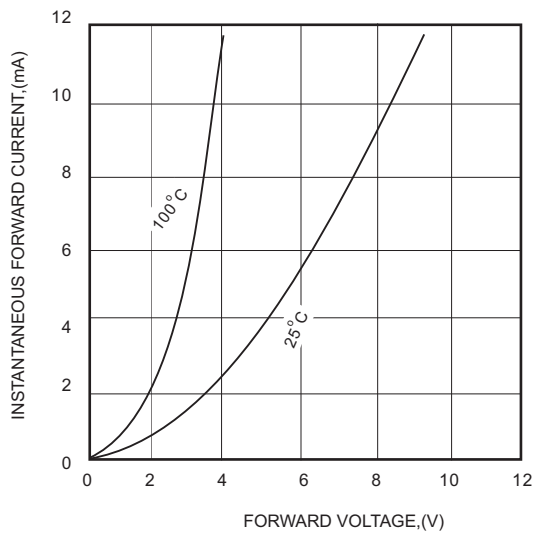


FIG.2 - TYPICAL REVERSE CHARACTERISTICS

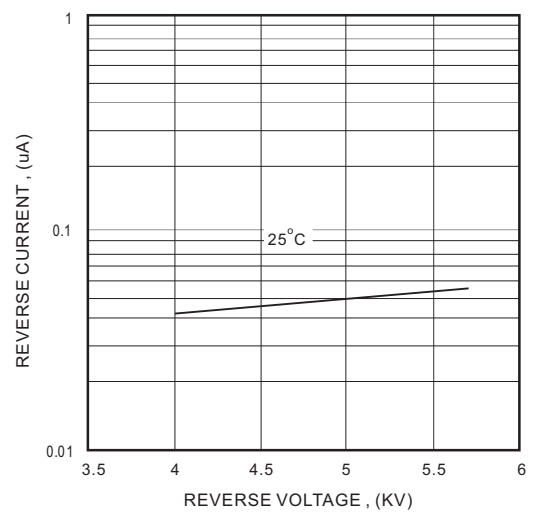


FIG.3-TYPICAL REVERSE RECOVERY TIME CHARACTERISTIC

