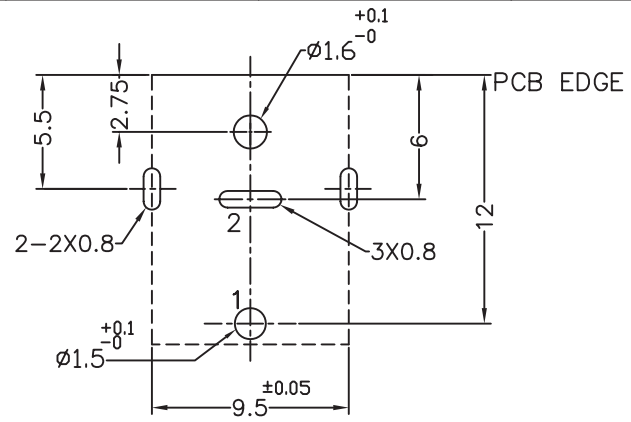
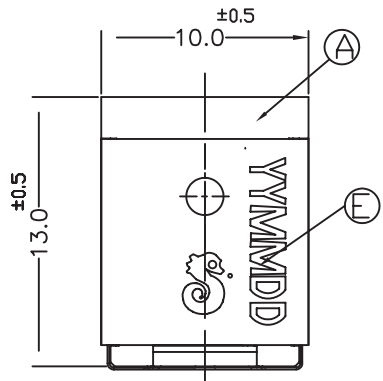
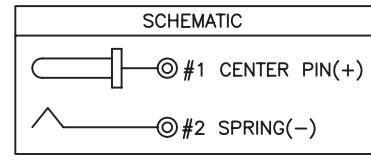
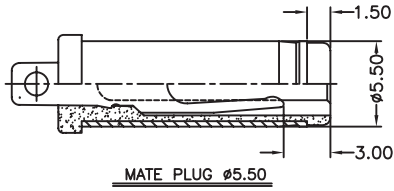
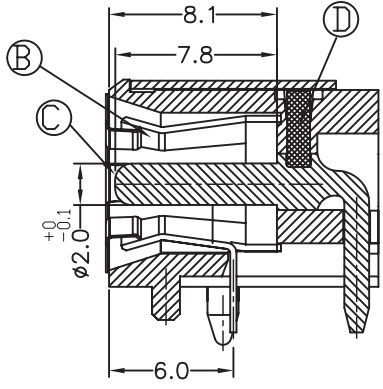
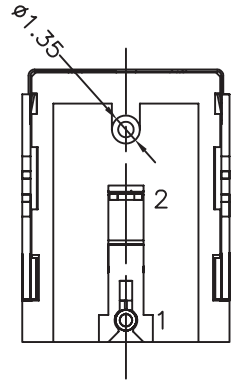
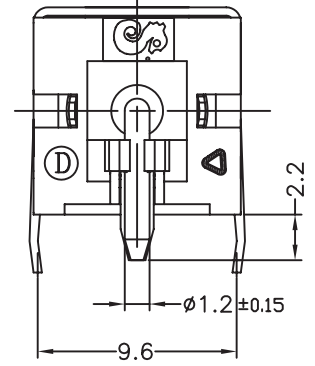
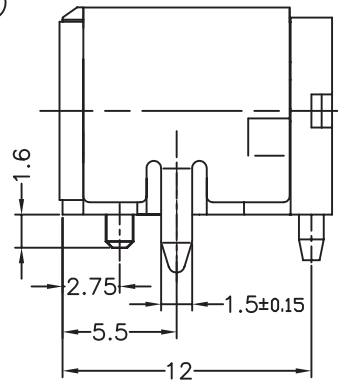
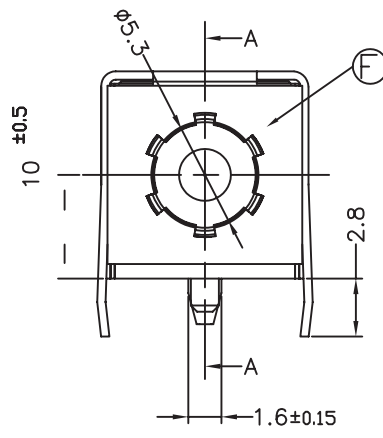


REV.	ECN NO OR DESCRIPTION	REVISED	DATE
B	ECN NO: S081005	BOYE	2008.11.24



RECOMMENDED P.C.B LAYOUT
TOP VIEW(TOLERANCE ±0.05)



Section A-A

- SPECIFICATIONS:
- RATING: DC 20V 10A 44uF
 - INSERTION FORCE: 3.0Kg MAX.
WITHDRAWAL FORCE: 1.0Kg~3.0Kg
 - INSULATION RESISTANCE BETWEEN ANY ADJACENT TERMINALS SHALL NOT BE LESS THAN 100 MEGOHMS BY 500 VOLTS MEGGER.
 - JACK SHALL WITHSTAND 250 VOLTS BETWEEN ANY ADJACENT TERMINAL FOR ONE MINUTE.
 - CONTACT RESISTANCE SHALL NOT EXCEED 30mΩ
 - JACK SHALL WITHSTAND 5,000 CYCLES OF INSERTION AND WITHDRAWAL WITH TESTING PLUG,AND CONTACT RESISTANCE SHALL NOT EXCEED 50mΩ
 - MEASURING CONDITION:
TEMPERATURE: FROM 5°C TO 35°C.
RELATIVE HUMIDITY: FROM 40% TO 85%.
 - ENVIRONMENTAL SPECIFICATIONS:
 - HUMIDITY TEST: HUMIDITY 90% TO 95% TEMPERATURE 40°C ±2°C FOR 96 HOURS.
 - HEAT TEST: TEMPERATURE 70°C ± 2°C (HUMIDITY BELOW 50%) FOR 96 HOURS.
 - COLD TEST: TEMPERATURE -40°C ± 2°C FOR 96 HOURS.
 - PACKING: TAPE&REEL
 - PRINTED DATE CODE "YYMMDD" ON TOP OF CONNECTOR. **YYMMDD** MM: MONTH
 - RATING:DC 20V 10A 44uF DEPEND ON MATING PLUG DETAIL TYPE
 - TO CONFORM TO SINGATRON HAZARDOUS SUBSTANCE FREE SPEC.
 - GREEN PRODUCT IDENTIFICATION MARK ON JACK:
 - GREEN PRODUCT IDENTIFICATION LABEL ON PACKAGING: **G.P. PAS**
 - FOR LEAD FREE PROCESS.

NO	DESCRIPTION	QTY	MATERIAL	PLATING & COLOR
F	GROUND	1	STAINLESS STEEL 0.15t	N/A
E	SHELL	1	SPCC-SD 0.4t	NI 60u" Mim.(N4)
D	STOPPER	1	HIGH TEMP.THERMOPLASTIC UL94V-0	BLACK
C	PIN	1	HBI59-1.5B	Ag 20u" Min.
B	SPRING	1	COPPER ALLOY 0.3t	Sn 60u"Min,Ni 60u"Min.
A	BODY	1	HIGH TEMP.THERMOPLASTIC UL94V-0	BLACK
UNLESS OTHERWISE SPECIFIED TOLERANCES				
DECIMALS: X :±0.5 X.X :±0.3 X.XX :±0.2 ANGLES: X :±2° X.X :±1°				
TITLE		DC POWER JACK		
DWN		BOYE 2008.11.24 PART NO. 2DC-G213-D42		
CHKD		SCALE:4:1 UNIT: mm		
APVD		SIZE: A3 SHEET:1 OF 1 REV: B		
CUSTOMER COPY (SZ)				