

GERMANIUM POWER TRANSISTORS

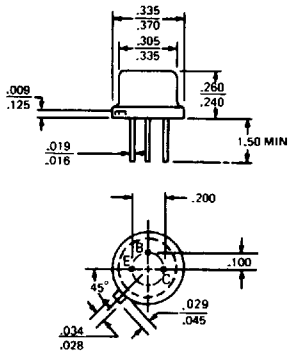
Type Number	Case Type	V_{CBO} V	V_{CEO} V	V_{EBO} V	V_{CER} V	V_{CES} V	CURRENT GAIN				SATURATION VOLTAGES				θ_{J-C} °C/W
							h_{FE} Min.	h_{FE} Max.	$V_{CE} @ I_C$ V	$I_C @ I_B$ A	$V_{CE(1)}$ V	$V_{BE(1)}$ V	$I_C @ I_B$ A	$I_C @ I_B$ A	
25 AMP GERMANIUM PNP (Cont.)															
2N1162A	TO-3	50	20	25.0		35	15	65	1.0	25.0	1.00		25.0	1.600	.80
2N1163	TO-41	50		25.0		35	15	65	1.0	25.0	.80		25.0	1.600	.80
2N1163A	TO-41	50	20	25.0		35	15	65	1.0	25.0	1.00		25.0	1.600	.80
2N1164	TO-3	80		40.0		60	15	65	1.0	25.0	.80		25.0	1.600	.80
2N1164A	TO-3	80	40	40.0		60	15	65	1.0	25.0	1.00		25.0	1.600	.80
2N1165	TO-41	80		40.0		60	15	65	1.0	25.0	.80		25.0	1.600	.80
2N1165A	TO-41	80	40	40.0		60	15	65	1.0	25.0	1.00		25.0	1.600	.80
2N1166	TO-3	100		50.0		75	15	65	1.0	25.0	.80		25.0	1.600	.80
2N1166A	TO-3	100	50	50.0		75	15	65	1.0	25.0	1.00		25.0	1.600	.80
2N1167	TO-41	100		50.0		75	15	65	1.0	25.0	.80		25.0	1.600	.80
2N1167A	TO-41	100	50	50.0		75	15	65	1.0	25.0	1.00		25.0	1.600	.80
2N1651	TO-41	60		1.5		60	35	140	2.0	10.0	.65	.90	25.0	2.500	.80
2N1652	TO-41	100		1.5		100	35	140	2.0	10.0	.65	.90	25.0	2.500	.80
2N1653	TO-41	120		1.5		120	35	140	2.0	10.0	.65	.90	25.0	2.500	.80
2N1751	TO-3	80		2.5		80	30	90	1.5	20.0	.50		20.0	2.500	.80
2N2285	TO-3	60	30	1.5			35	140	2.0	10.0	.65	1.50	25.0	2.500	.80
2N2286	TO-3	100	60	1.5			35	140	2.0	10.0	.65	1.50	25.0	2.500	.80
2N2287	TO-3	120	80	1.5			35	140	2.0	10.0	.65	1.50	25.0	2.500	.80
2N2636	TO-41	100	60	1.5			35	140	2.0	10.0	.65	.90	25.0	2.500	.80
2N2637	TO-41	100	60	1.5			35	140	2.0	10.0	.65	.90	25.0	2.500	.80
2N2638	TO-41	100	60	1.5			35	140	2.0	10.0	.65	.90	25.0	2.500	.80
2N2691	TO-41	100	80	1.5			30	100	1.5	20.0	.65	.90	25.0	2.500	.80
2N2691A	TO-41	120	80	1.5			50	100	1.5	20.0	.65	.90	25.0	2.500	.50
SDG600	TO-3	75	50	1.5			50		2.0	5.0	.75	1.40	25.0		1.00
SDG601	TO-3	75	60	1.5			50		2.0	5.0	.75	1.40	25.0		1.00
SDG602	TO-3	75	70	1.5			50		2.0	5.0	.75	1.40	25.0		1.00
SDG603	TO-3	90	80	1.5			50		2.0	5.0	.75	1.40	25.0		1.00
30 AMP GERMANIUM PNP															
2N2152	TO-36	45	40	25.0		45	25		2.0	15.0	.30	2.00	25.0	2.000	.50
2N2153	TO-36	60	45	30.0		60	25		2.0	15.0	.30	2.00	25.0	2.000	.50
2N2154	TO-36	75	60	40.0		75	25		2.0	15.0	.30	2.00	25.0	2.000	.50
2N2156	TO-36	45	30	25.0		45	40		2.0	15.0	.30	2.00	25.0	2.000	.50
2N2157	TO-36	60	45	30.0		60	40		2.0	15.0	.30	2.00	25.0	2.000	.50
2N2158	TO-36	75	60	40.0		75	40		2.0	15.0	.30	2.00	25.0	2.000	.50
35 AMP GERMANIUM PNP															
2N1520	TO-36	50	40	30.0			17	68	2.0	15.0	.60		35.0	4.000	.50
2N1521	TO-36	80	60				17	68	2.0	15.0	.60		35.0	4.000	.50
40 AMP GERMANIUM PNP															
2N1157	MT-7	60	45				10		2.0	40.0	.80		40.0	6.000	
2N1157A	MT-7	80	50				10		2.0	40.0	.80		40.0	6.000	
50 AMP GERMANIUM PNP															
2N1522	TO-36	50	40	30.0			25	100	2.0	15.0	.50		50.0	5.000	.50
2N1523	TO-36	80	60	30.0			25	100	2.0	5.0	.50		50.0	5.000	.50
2N2357*	TO-41	60	30	2.5		60	30	90	1.5	20.0	.90	1.50	50.0	5.000	.50
2N2358*	TO-41	100	60	2.5		100	30	90	1.5	20.0	.90	1.50	50.0	5.000	.50
2N2359*	TO-41	120	80	2.5		120	30	90	1.5	20.0	.90	1.50	50.0	5.000	.50
SDG604	TO-3	30	20	1.5			30	90	2.0	20.0	.90	1.50	50.0	5.000	.50
SDG605	TO-3	45	30	1.5			30	90	2.0	20.0	.90	1.50	50.0	5.000	.50
SDG606	TO-3	60	45	1.5			30	90	2.0	20.0	.90	1.50	50.0	5.000	.50
SDG607	TO-3	75	60	1.5			30	90	2.0	20.0	.90	1.50	50.0	5.000	.50
60 AMP GERMANIUM PNP															
2N4048	TO-68	45	30	25.0		45	15		2.0	60.0	.30	1.00	60.0	6.000	.50
2N4049	TO-68	60	45	30.0		60	15		2.0	60.0	.30	1.00	60.0	6.000	.50
2N4050	TO-68	75	60	40.0		75	15		2.0	60.0	.30	1.00	60.0	6.000	.50
2N4051	TO-68	45	30	25.0		45	15		2.0	60.0	.30	1.00	60.0	6.000	.50
2N4052	TO-68	60	45	30.0		60	15		2.0	60.0	.30	1.00	60.0	6.000	.50
2N4053	TO-68	75	60	40.0		75	15		2.0	60.0	.30	1.00	60.0	6.000	.50
SDT1808	TO-68	80	60				15		2.0	50.0	.45	1.25	50.0	5.000	.50
SDT1809	TO-68	60	45				15		2.0	50.0	.45	1.25	50.0	5.000	.50
SDT1810	TO-68	40	30				15		2.0	50.0	.45	1.25	50.0	5.000	.50
SDT1908	MT-23	80	60				15		2.0	50.0	.45	1.25	50.0	5.000	.60

* t_{on} 15 μ s; t_{off} 10 μ s; @ V_{CE} 28V; I_C 50A

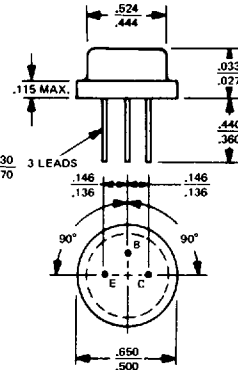
GERMANIUM POWER TRANSISTORS

CASE OUTLINE DRAWINGS & DIMENSIONS

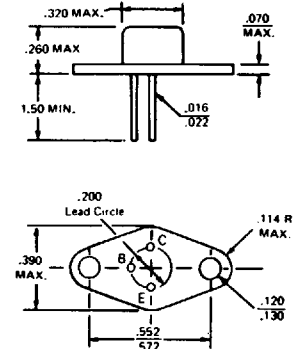
TO-5



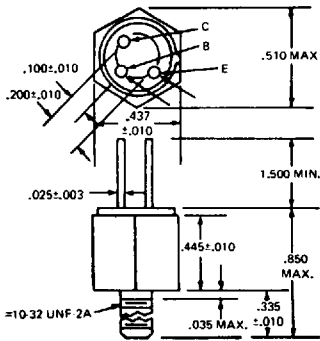
TO-8



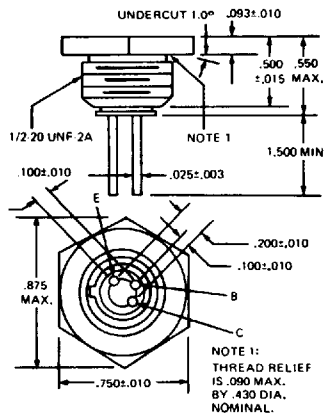
TO-37



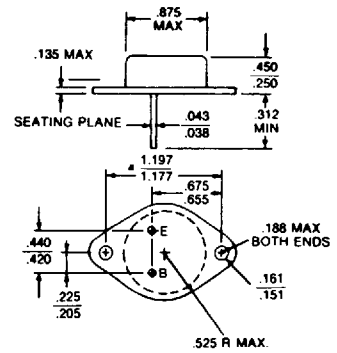
MT-27



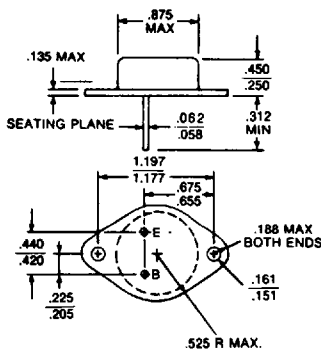
MT-28



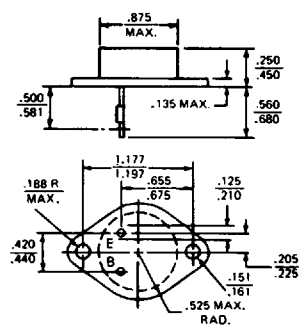
TO-3



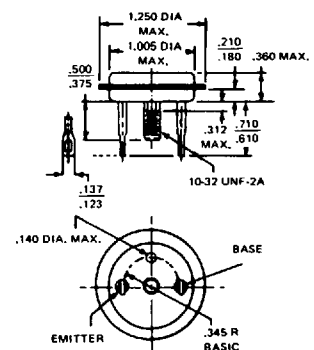
**MODIFIED TO-3
(60 mil pins)**



TO-41



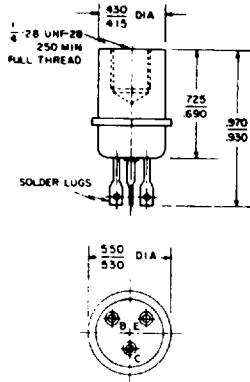
TO-36



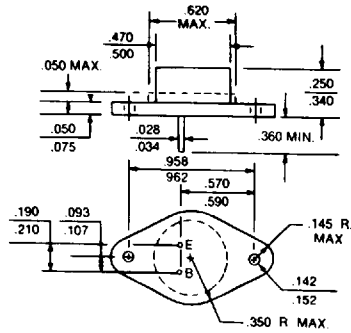
GERMANIUM POWER TRANSISTORS

CASE OUTLINE DRAWINGS & DIMENSIONS

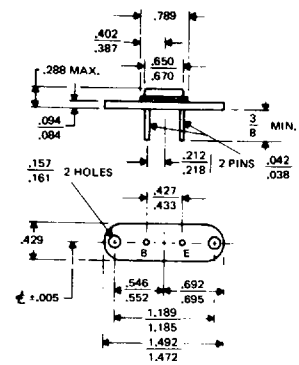
TO-13



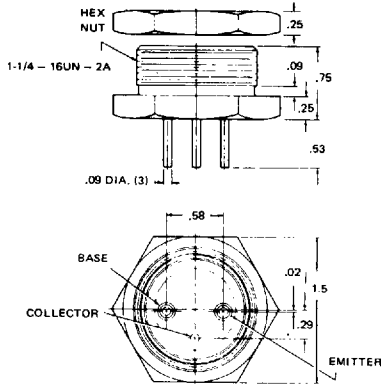
TO-66



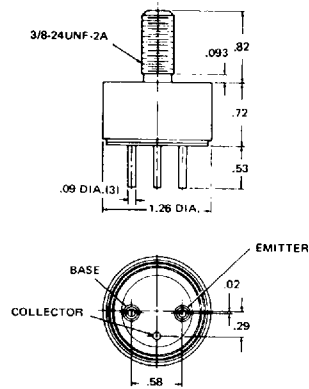
MS-7



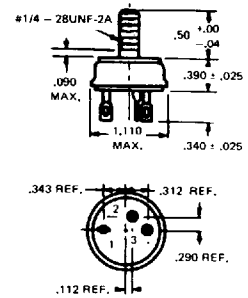
MT-22



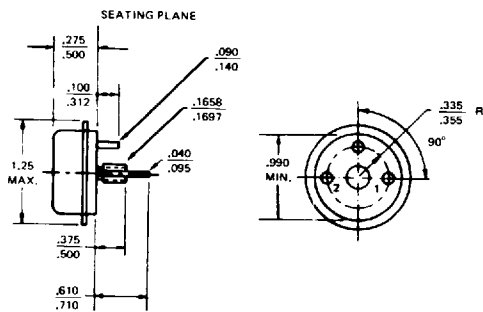
MT-23



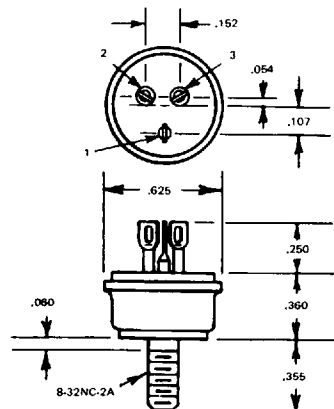
MT-7



TO-68



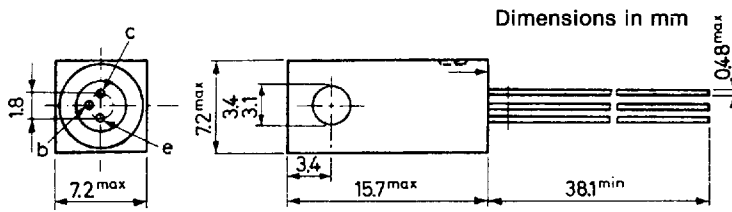
MT-36



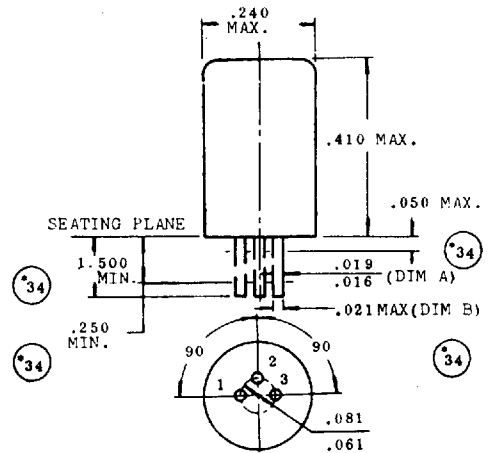
GERMANIUM POWER TRANSISTORS

CASE OUTLINE DRAWINGS & DIMENSIONS

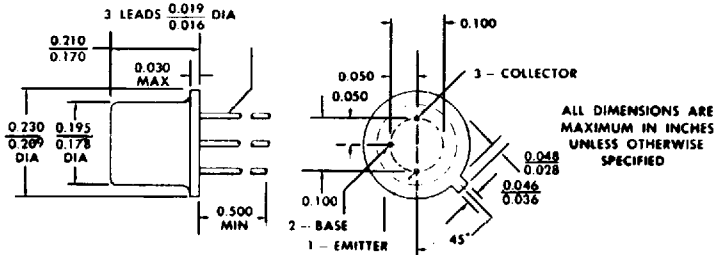
NS257



TO-1



TO-18



THE COLLECTOR IS ELECTRICAL CONTACT WITH THE CASE.

ALL JEDEC TO-18 DIMENSIONS AND NOTES ARE APPLICABLE.



GERMANIUM POWER DEVICES CORP.

300 Brickstone Square · York Street · P.O. Box 3065
Shawsheen Village Station · Andover, Massachusetts 01810
Telephone (508) 475-5982 · FAX (508) 470-1512

26

Printed in U.S.A.

■ 3947375 0000689 52T ■

54134