



## NPN 2N1613 – 2N1711

### SILICON PLANAR EPITAXIAL TRANSISTORS

The 2N1613 and 2N1711 are NPN transistors mounted in TO-39 metal package with the collector connected to the case .

They are designed for use in high-performance amplifier, oscillator and switching circuits.

The 2N1711 is also used to advantage in amplifiers where low noise is an important factor.

Compliance to RoHS.

#### ABSOLUTE MAXIMUM RATINGS

Symbol	Ratings	Value	Unit	
V <sub>CBO</sub>	Collector-Base Voltage	75	V	
V <sub>CER</sub>	Collector-Emitter Voltage (R <sub>BE</sub> = 10Ω)	50	V	
V <sub>EBO</sub>	Emitter-Base Voltage	7	V	
I <sub>C</sub>	Collector Current	5	mA	
I <sub>CM</sub>	Peak Collector Current	1	A	
I <sub>BM</sub>	Peak Base Current	200	mA	
P <sub>D</sub>	Total Power Dissipation	@ T <sub>case</sub> = 25°	3	W
		@ T <sub>case</sub> = 100°	1.7	W
		@ T <sub>amb</sub> = 25°	0.8	W
T <sub>J</sub>	Junction Temperature	200	°C	
T <sub>stg</sub>	Storage Temperature range	-65 to +150	°C	

#### THERMAL CHARACTERISTICS

Symbol	Ratings	Value	Unit
R <sub>thJ-c</sub>	Thermal Resistance, Junction-case	58	°C/ W
R <sub>thJ-amb</sub>	Thermal Resistance, Junction-ambient	219	°C/ W

## NPN 2N1613 – 2N1711

### ELECTRICAL CHARACTERISTICS

TC=25°C unless otherwise noted

Symbol	Ratings	Test Condition(s)	Min	Typ	Max	Unit	
$I_{CBO}$	Collector Cutoff Current	$V_{CE}=60\text{ V}, I_E=0$	-	-	10	nA	
		$V_{CE}=60\text{ V}, I_E=0$ $T_{amb} = 150^\circ\text{C}$	-	-	10	$\mu\text{A}$	
$I_{EBO}$	Emitter Cutoff Current	$V_{EB}=5\text{ V}$ 2N1613	-	-	10	nA	
		$V_{EB}=5\text{ V}$ 2N1711	-	-	5		
$V_{CBO}$	Collector Base Breakdown Voltage	$I_C=0.1\text{ mA}$	75	-	-	V	
$V_{EBO}$	Emitter Base Breakdown Voltage	$I_E=100\text{ }\mu\text{A}, I_C=0$	7	-	-	V	
$V_{CE(SAT)}(*)$	Collector-Emitter saturation Voltage	$I_C=150\text{ mA}, I_B=15\text{ mA}$	-	-	1.5	V	
$V_{BE(SAT)}(*)$	Base-Emitter saturation Voltage	$I_C=150\text{ mA}, I_B=15\text{ mA}$	-	-	1.3	V	
$h_{FE}(*)$	DC Current Gain	$I_C=0.1\text{ mA}, V_{CE}=10\text{ V}$	2N1613	20	-	-	-
		$I_C=10\text{ mA}, V_{CE}=10\text{ V}$		35	-	-	
		$I_C=150\text{ mA}, V_{CE}=10\text{ V}$		40	-	120	
		$I_C=500\text{ mA}, V_{CE}=10\text{ V}$		20	-	-	
		$I_C=10\text{ }\mu\text{A}, V_{CE}=10\text{ V}$	2N1711	20	-	-	
		$I_C=0.1\text{ mA}, V_{CE}=10\text{ V}$		35	-	-	
		$I_C=10\text{ mA}, V_{CE}=10\text{ V}$		75	-	-	
		$I_C=150\text{ mA}, V_{CE}=10\text{ V}$		100	-	300	
		$I_C=500\text{ mA}, V_{CE}=10\text{ V}$		40	-	-	

Symbol	Ratings	Test Condition(s)	Min	Typ	Mx	Unit
$f_T$	Transition Frequency	$I_C=50\text{ mA}, V_{CE}=10\text{ V}, f=100\text{ MHz}$ 2N1613	60	-	-	MHz
		2N1711	70	-	-	
$C_{CBO}$	Collector-Base Capacitance	$I_E=0, V_{CB}=10\text{ V}, f=1\text{ MHz}$	-	-	25	pF
$C_{EBO}$	Emitter-Base Capacitance	$I_C=0, V_{EB}=0.5\text{ V}, f=1\text{ MHz}$	-	-	80	pF
NF	Noise Figure	$I_C=0.3\text{ mA}, V_{CE}=10\text{ V}, f=1\text{ kHz}, R_g=510\text{ }\Omega$ 2N1613	-	-	12	dB
		$I_C=0.3\text{ mA}, V_{CE}=10\text{ V}, f=1\text{ kHz}, R_g=510\text{ }\Omega$ 2N1711	-	-	8	

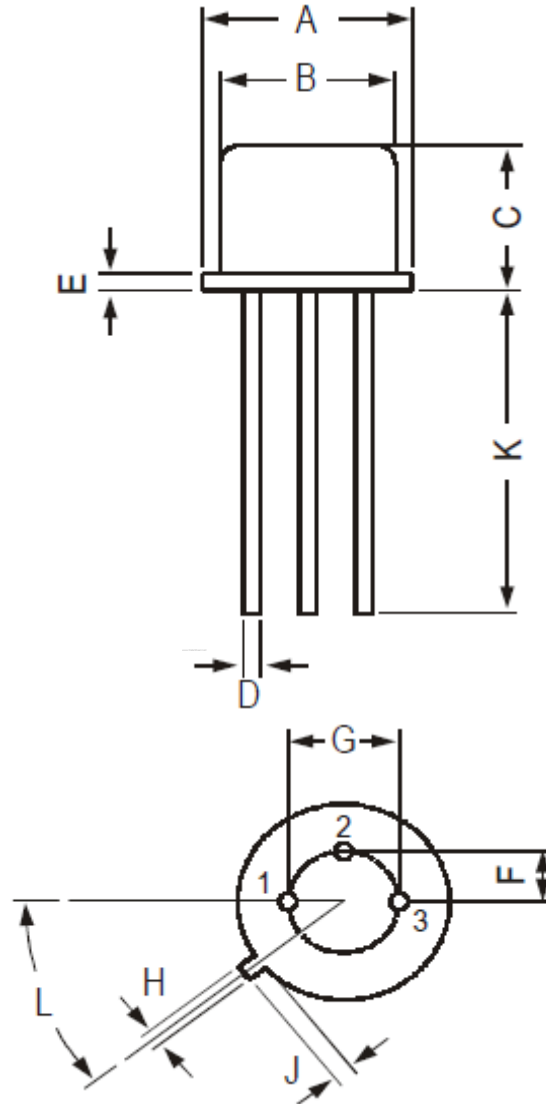
(\*) Pulse conditions :  $t_p < 300\text{ }\mu\text{s}, \delta = 2\%$ .

## NPN 2N1613 – 2N1711

### MECHANICAL DATA CASE TO-39

DIMENSIONS (mm)		
	min	max
A	8.50	9.39
B	7.74	8.50
C	6.09	6.60
D	0.40	0.53
E	-	0.88
F	2.41	2.66
G	4.82	5.33
H	0.71	0.86
J	0.73	1.02
K	12.70	-
L	42°	48°

Pin 1 :	Emitter
Pin 2 :	Base
Pin 3 :	Collector
Case :	Collector



Revised August 2012

Information furnished is believed to be accurate and reliable. However, Comset Semiconductors assumes no responsibility for the consequences of use of such information nor for any infringement of patents or other rights of third parties which may result from its use. Data are subject to change without notice. Comset Semiconductors makes no warranty, representation or guarantee regarding the suitability of its products for any particular purpose, nor does Comset Semiconductors assume any liability arising out of the application or use of any product and specifically disclaims any and all liability, including without limitation consequential or incidental damages. Comset Semiconductors' products are not authorized for use as critical components in life support devices or systems.