



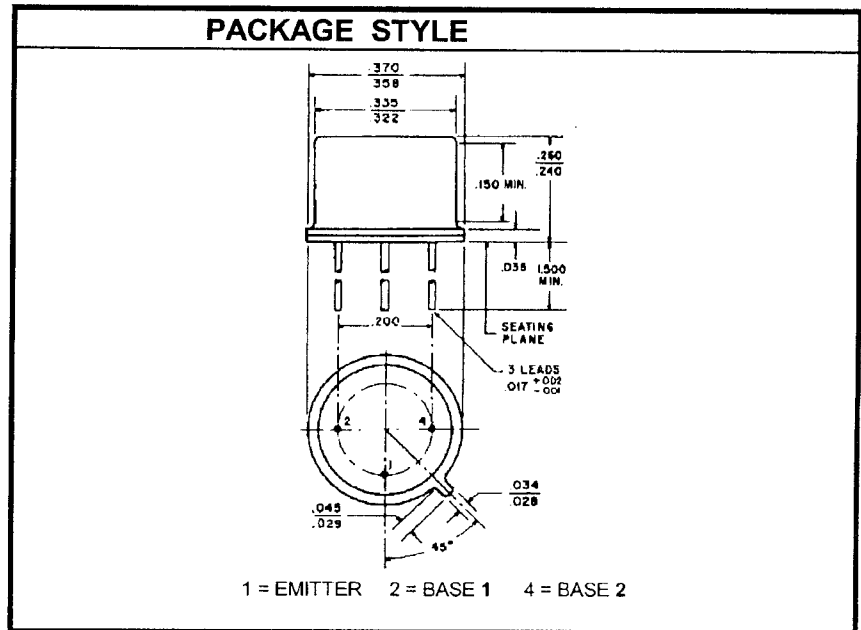
UNIUNCTION TRANSISTOR

DESCRIPTION:

The 2N1671 is a Unijunction Transistor Used in General Purpose Pulse, Timing, Sense and Trigger Applications.

MAXIMUM RATINGS

I_C	2.0 A (PULSED)
V_{CE}	30 V
P_{DISS}	450 mW @ $T_C = 25^\circ C$
T_J	$-65^\circ C$ to $+140^\circ C$
T_{STG}	$-65^\circ C$ to $+150^\circ C$
θ_{JC}	255 $^\circ C/W$



Package outline is similar to JEDEC TO-5 except for lead position.

CHARACTERISTICS $T_C = 25^\circ C$

SYMBOL	TEST CONDITIONS	MINIMUM	TYPICAL	MAXIMUM	UNITS
η	$V_{B2B1} = 10 V$	0.47		0.62	---
r_{BB}	$V_{B2B1} = 3.0 V$	4.7		9.1	$K\Omega$
$V_{EB1(SAT)}$	$V_{B2B1} = 10 V$ $I_E = 50 mA$			5.0	V
$I_{B2(MOD)}$	$V_{B2B1} = 10 V$ $I_E = 50 mA$	6.8		22	mA
I_{B2EO}	$V_{B2B1} = 30 V$ $I_{B1} = 0$			12	μA
I_P	$V_{B2B1} = 25 V$			25	μA
I_V	$V_{B2B1} = 20 V$ $R_{B2} = 100 \Omega$	8.0			mA

