



## NPN 2N1893

### MEDIUM POWER TRANSISTOR

The 2N1893 are NPN transistors mounted in TO-39 metal package. They are intended for use in high performance amplifier, oscillator and switching applications. Compliance to RoHS.

#### ABSOLUTE MAXIMUM RATINGS

Symbol	Ratings	Value	Unit
$V_{CEO}$	Collector-Emitter Voltage ( $I_B = 0$ )	80	V
$V_{CBO}$	Collector-Base Voltage ( $I_E = 0$ )	120	V
$V_{CER}$	Collector-Emitter Voltage ( $R_{BE} = 10 \Omega$ )	100	V
$V_{EBO}$	Emitter-Base Voltage	7	V
$I_C$	Collector Current	0.5	A
$I_{CM}$	Peak Collector Current	1	A
$I_{BM}$	Peak Base Current	0.2	A
$P_D$	Total Power Dissipation	$T_{amb} = 25^\circ C$	0.8
		$T_{case} = 25^\circ C$	3
		$T_{case} = 100^\circ C$	1.7
$T_J$	Junction Temperature	200	°C
$T_{Stg}$	Storage Temperature range	-65 to +150	
$T_{amb}$	operating ambient temperature	-65 to +150	

#### THERMAL CHARACTERISTICS

Symbol	Ratings	Value	Unit
$R_{thJ-c}$	Thermal Resistance, Junction-case	58.3	°C/ W
$R_{thj-a}$	thermal resistance from junction to ambient in free air	219	

## NPN 2N1893

### ELECTRICAL CHARACTERISTICS

TC=25°C unless otherwise noted

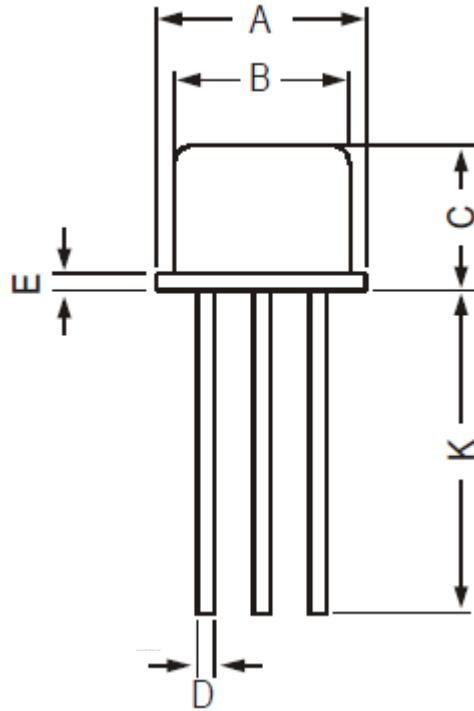
Symbol	Ratings	Test Condition(s)	Min	Typ	Max	Unit	
$I_{CBO}$	Collector Cutoff Current	$V_{CB} = 90\text{ V}$ $I_E = 0$	$T_{amb} = 25^\circ\text{C}$	-	-	10	nA
			$T_{amb} = 150^\circ\text{C}$	-	-	15	$\mu\text{A}$
$I_{EBO}$	Emitter Cutoff Current	$V_{EB} = 5\text{ V}, I_B = 0$	-	-	10	nA	
$V_{CBO}$	Collector Base Sustaining Voltage	$I_C = 100\text{ mA}, I_E = 0$	120	-	-	V	
$V_{CEO}$	Collector Emitter Sustaining Voltage (*)	$I_C = 10\text{ mA}, I_B = 0$	80	-	-	V	
$V_{CER}$	Collector Base Breakdown Voltage (*)	$I_C = 10\text{ mA}, R_{BE} = 10\ \Omega$	100	-	-	V	
$V_{EBO}$	Emitter Base Breakdown Voltage	$I_E = 100\ \mu\text{A}, I_C = 0$	7	-	-	V	
$h_{FE}$	DC Current Gain (*)	$I_C = 0.1\text{ mA}, V_{CE} = 10\text{ V}$		20	-	-	-
		$I_C = 10\text{ mA}$ $V_{CE} = 10\text{ V}$	$T_{amb} = 25^\circ\text{C}$	20	-	-	
			$T_{amb} = -55^\circ\text{C}$	35	-		
		$I_C = 150\text{ mA}, V_{CE} = 10\text{ V}$		40	-	120	
$V_{CE(SAT)}$	Collector-Emitter saturation Voltage (*)	$I_C = 50\text{ mA}, I_B = 5\text{ mA}$		-	-	0.9	V
		$I_C = 150\text{ mA}, I_B = 15\text{ mA}$		-	-	0.5	
$V_{BE(SAT)}$	Base-Emitter saturation Voltage (*)	$I_C = 50\text{ mA}, I_B = 5\text{ mA}$		-	-	1.2	V
		$I_C = 150\text{ mA}, I_B = 15\text{ mA}$		-	-	1.3	
$f_T$	Transition Frequency	$I_C = 50\text{ mA}, V_{CE} = 10\text{ V}$ $f = 20\text{ MHz}$	50	-	-	MHz	
$C_C$	Collector Capacitance	$I_E = i_e = 0, V_{CB} = 10\text{ V}$ $f = 1\text{ MHz}$	-	-	15	pF	
$C_e$	Base Capacitance	$I_C = i_c = 0, V_{EB} = 0.5\text{ V}$ $f = 1\text{ MHz}$	-	-	85	pF	

(\*) Pulse conditions :  $t_p < 300\ \mu\text{s}, \delta = 2\%$ .

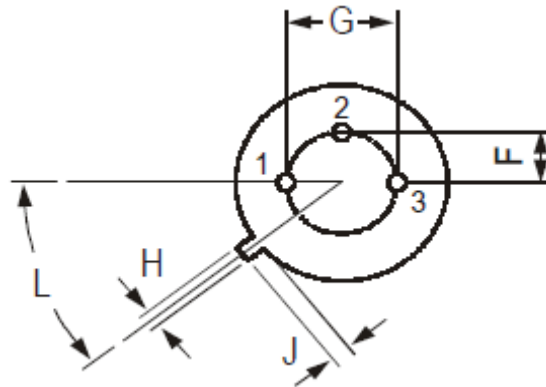
## NPN 2N1893

### MECHANICAL DATA CASE TO-39

DIMENSIONS (mm)		
	min	max
A	8.50	9.39
B	7.74	8.50
C	6.09	6.60
D	0.40	0.53
E	-	0.88
F	2.41	2.66
G	4.82	5.33
H	0.71	0.86
J	0.73	1.02
K	12.70	-
L	42°	48°



Pin 1 :	Emitter
Pin 2 :	Base
Pin 3 :	Collector
Case :	Collector



Revised August 2012

Information furnished is believed to be accurate and reliable. However, Comset Semiconductors assumes no responsibility for the consequences of use of such information nor for any infringement of patents or other rights of third parties which may result from its use. Data are subject to change without notice. Comset Semiconductors makes no warranty, representation or guarantee regarding the suitability of its products for any particular purpose, nor does Comset Semiconductors assume any liability arising out of the application or use of any product and specifically disclaims any and all liability, including without limitation consequential or incidental damages. Comset Semiconductors' products are not authorized for use as critical components in life support devices or systems.