

Silicon PNP Power Transistors

2N3740 2N3741

**DESCRIPTION**

- With TO-66 package
- Excellent safe area limits
- Low collector saturation voltage

**APPLICATIONS**

- Suitable for use in as drivers, switches and medium-power amplifier and applications

**PINNING (See Fig.2)**

PIN	DESCRIPTION
1	Base
2	Emitter
3	Collector

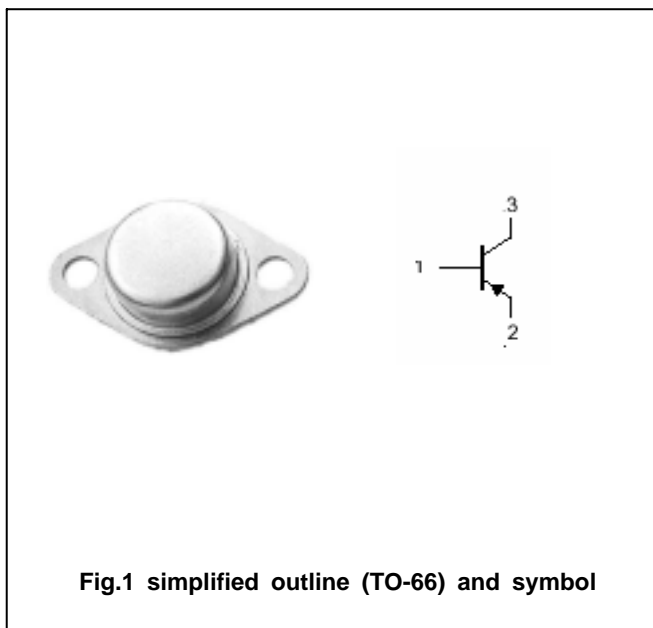


Fig.1 simplified outline (TO-66) and symbol

**Absolute maximum ratings(Ta=25 )**

SYMBOL	PARAMETER	CONDITIONS	VALUE	UNIT
V <sub>CBO</sub>	Collector-base voltage	2N3740	-60	V
		2N3741	-80	
V <sub>CEO</sub>	Collector-emitter voltage	2N3740	-60	V
		2N3741	-80	
V <sub>EBO</sub>	Emitter-base voltage	Open collector	-7	V
I <sub>C</sub>	Collector current		-4	A
I <sub>CM</sub>	Collector current-Peak		-10	A
I <sub>B</sub>	Base current		-2	mA
P <sub>T</sub>	Total power dissipation	T <sub>C</sub> =25	25	W
T <sub>j</sub>	Junction temperature		150	
T <sub>stg</sub>	Storage temperature		-65~200	

**THERMAL CHARACTERISTICS**

SYMBOL	PARAMETER	MAX	UNIT
R <sub>th j-c</sub>	Thermal resistance from junction to case	7.0	/W

## Silicon PNP Power Transistors

## 2N3740 2N3741

## CHARACTERISTICS

T<sub>j</sub>=25 unless otherwise specified

SYMBOL	PARAMETER	CONDITIONS	MIN	TYP.	MAX	UNIT
V <sub>(BR)CEO</sub>	Collector-emitter breakdown voltage	2N3740	I <sub>C</sub> =-100mA ; I <sub>B</sub> =0			V
		2N3741				
V <sub>CEsat</sub>	Collector-emitter saturation voltage	I <sub>C</sub> =-1A ; I <sub>B</sub> =-125mA			-0.6	V
V <sub>BE</sub>	Base -emitter on voltage	I <sub>C</sub> =-0.25A ; V <sub>CE</sub> =-1V			-1.0	V
I <sub>CEX</sub>	Collector cut-off current	2N3740	V <sub>CE</sub> =-60V;V <sub>BE(off)</sub> =-1.5V V <sub>CE</sub> =-40V;V <sub>BE(off)</sub> =-1.5V;T <sub>C</sub> =150			mA
		2N3741				
I <sub>CEO</sub>	Collector cut-off current	2N3740	V <sub>CE</sub> =-40V; I <sub>B</sub> =0			mA
		2N3741				
I <sub>CBO</sub>	Collector cut-off current	2N3740	V <sub>CB</sub> =-60V; I <sub>E</sub> =0			mA
		2N3741				
I <sub>EBO</sub>	Emitter cut-off current	V <sub>EB</sub> =-7V; I <sub>C</sub> =0			-0.5	mA
h <sub>FE-1</sub>	DC current gain	I <sub>C</sub> =-0.1A ; V <sub>CE</sub> =-1V	40			
h <sub>FE-2</sub>	DC current gain	I <sub>C</sub> =-0.25A ; V <sub>CE</sub> =-1V	30		100	
h <sub>FE-3</sub>	DC current gain	I <sub>C</sub> =-0.5A ; V <sub>CE</sub> =-1V	20			
h <sub>FE-4</sub>	DC current gain	I <sub>C</sub> =-1A ; V <sub>CE</sub> =-1V	10			
f <sub>T</sub>	Transition frequency	I <sub>C</sub> =-0.1A ; V <sub>CE</sub> =-10V;f=1.0MHz	3.0			MHz
C <sub>OB</sub>	Output capacitance	I <sub>E</sub> =0 ; V <sub>CB</sub> =-10V;f=100kHz			100	pF

PACKAGE OUTLINE

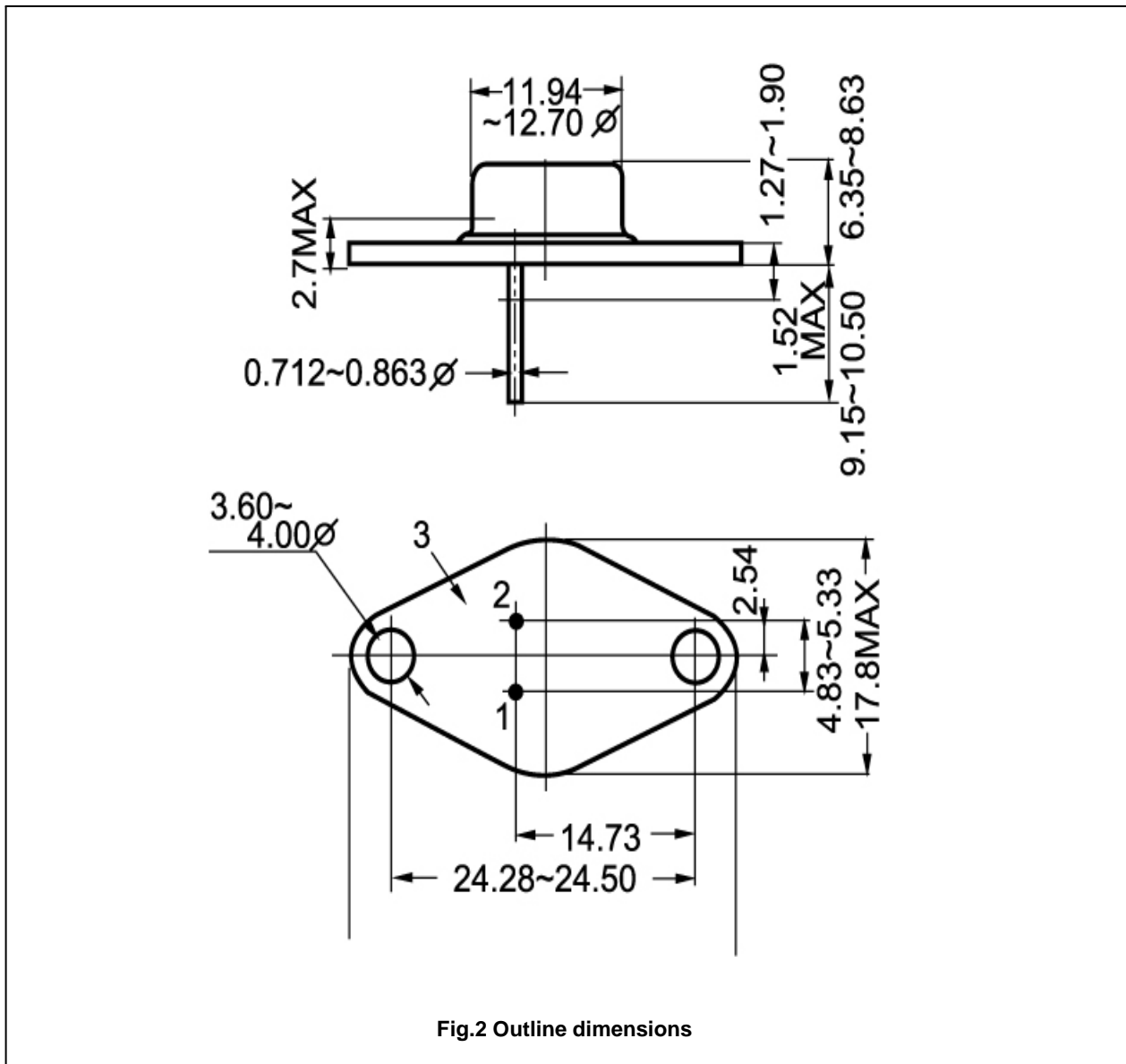


Fig.2 Outline dimensions