

2N5114, 2N5115, 2N5116

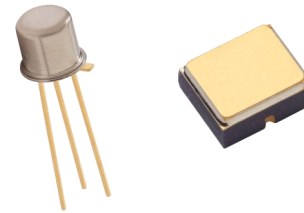


P Channel J-FET

Rev. V2

Features

- Available in JAN, JANTX and JANTXV per MIL-PRF-19500/476
- TO-18 and UB Package Types
- Designed for High Reliability Switching Applications



Electrical Characteristics ($T_A = +25^\circ\text{C}$ unless otherwise specified)

Parameter	Test Conditions	Symbol	Units	Min.	Max.
Gate-Source Breakdown Voltage	$V_{DS} = 0, I_G = 1.0 \mu\text{A dc}$	$V_{(BR)GSS}$	V dc	30	—
Drain-Source "On" State Voltage	$V_{GS} = 0 \text{ V}, I_D = -15 \text{ mA dc}$ 2N5114 $V_{GS} = 0 \text{ V}, I_D = -7.0 \text{ mA dc}$ 2N5115 $V_{GS} = 0 \text{ V}, I_D = -3.0 \text{ mA dc}$ 2N5116	$V_{DS(on)}$	V dc	—	-1.3 -0.8 -0.6
Gate Reverse Current	$V_{DS} = 0, V_{GS} = 20\text{V}$	I_{GSS}	pA	—	500
Drain Current Cutoff	$V_{GS} = 12 \text{ V dc}, V_{DS} = -15 \text{ V dc}$ 2N5114 $V_{GS} = 7.0 \text{ V dc}, V_{DS} = -15 \text{ V dc}$ 2N5115 $V_{GS} = 5.0 \text{ V dc}, V_{DS} = -15 \text{ V dc}$ 2N5116	$I_{D(off)}$	pA	—	-500 -500 -500
Zero Gate Voltage Drain Current	$V_{GS} = 0 \text{ V}, V_{DS} = -18 \text{ V dc}$ 2N5114 $V_{GS} = 0 \text{ V}, V_{DS} = -15 \text{ V dc}$ 2N5115 $V_{GS} = 0 \text{ V}, V_{DS} = -15 \text{ V dc}$ 2N5116	I_{DSS}	mA	-30 -15 -5.0	-90 -60 -25
Gate-Source Cutoff	$V_{GS} = -15 \text{ V dc}, I_D = -1.0 \text{ nA dc}$ 2N5114 $V_{GS} = -15 \text{ V dc}, I_D = -1.0 \text{ nA dc}$ 2N5115 $V_{GS} = -15 \text{ V dc}, I_D = -1.0 \text{ nA dc}$ 2N5116	$V_{GS(off)}$		5.0 3.0 1.0	10 6.0 4.0

Absolute Maximum Ratings ($T_A = +25^\circ\text{C}$ unless otherwise specified)

Ratings	Symbol	Value
Gate-Source Voltage ⁽²⁾	V_{GS}	30 V dc
Drain-Source Voltage	V_{DS}	30 V dc
Drain-Gate Voltage ⁽²⁾	V_{DG}	30 V dc
Gate Current	I_G	50 mA dc
Steady-State Power Dissipation @ $T_A = 25^\circ\text{C}$ ⁽¹⁾	P_D	0.500 W
Junction & Storage Temperature Range	T_J and T_{STG}	-65°C to $+200^\circ\text{C}$

(1) Derate linearly 3.0 mW/°C for $T_A > +25^\circ\text{C}$

(2) Symmetrical geometry allows operation of those units with source / drain leads interchanged

2N5114, 2N5115, 2N5116



P Channel J-FET

Rev. V2

Electrical Characteristics ($T_A = +25^\circ\text{C}$ unless otherwise specified)

Parameter	Test Conditions	Symbol	Units	Min.	Max.
Dynamic Characteristics					
Small Signal, Drain-Source "On" State Resistance	$V_{GS} = 0, I_D = -1.0 \text{ mA dc}$ 2N5114 2N5115 2N5116	$r_{ds(on)}^1$	Ω	—	75 100 175
Small Signal, Drain-Source "On" State Resistance	$V_{GS} = 0, I_D = 0; f = 1\text{kHz}$ 2N5114 2N5115 2N5116	$r_{ds(on)}^2$	Ω	—	75 100 175
Small-Signal, Common-Source Short Circuit Reverse Transfer Capacitance	$V_{GS} = 12 \text{ V dc}, V_{DS} = 0$ 2N5114 $V_{GS} = 7.0 \text{ V dc}, V_{DS} = 0$ 2N5115 $V_{GS} = 5.0 \text{ V dc}, V_{DS} = 0$ 2N5116	C_{rss}	pF	—	7.0
Small-Signal, Common-Source Short Circuit Input Capacitance	$V_{GS} = 0 \text{ V dc}, V_{DS} = -15 \text{ V dc } f = 1.0 \text{ MHz}$ 2N5114, 2N5115 2N5116	C_{iss}	pF	—	25 27

Parameter	Test Conditions	Symbol	Units	Min.	Max.
Switching Characteristics					
Turn-On Delay Time	2N5114 2N5115 2N5116	$t_{d(on)}$	ns	—	6 10 25
Rise Time	2N5114 2N5115 2N5116	t_r	ns	—	10 20 35
Turn-Off Delay Time	2N5114 2N5115 2N5116	$t_{d(off)}$	ns	—	6 8 20
Fall Time	2N5114 2N5115 2N5116	t_f	ns	—	15 30 60

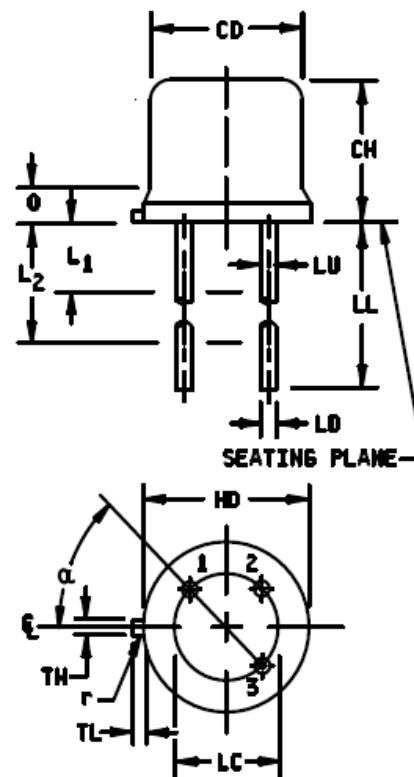
2N5114, 2N5115, 2N5116

P Channel J-FET

Rev. V2

Outline Drawing (TO-18)

Symbol	Dimensions				Note
	Inches		Millimeters		
	Min	Max	Min	Max	
CD	.178	.195	4.52	4.95	
CH	.170	.210	4.32	5.33	
HD	.209	.230	5.31	5.84	
LC	.100 TP		2.54 TP		6
LD	.016	.021	0.41	0.53	7,8
LL	.500	.750	12.7	19.05	7,8
LU	.016	.019	0.41	0.48	7,8
L ₁		.050		1.27	7,8
L ₂	.250		6.35		7,8
Q		.030		0.76	5
TL	.028	.048	0.71	1.22	3,4
TW	.036	.046	0.91	1.17	
r		.010		0.25	10
α	45° TP		45° TP		6



NOTES:

1. Dimension are in inches.
2. Millimeters are given for general information only.
3. Beyond r (radius) maximum, TL shall be held for a minimum length of .011 (0.28 mm).
4. Dimension TL measured from maximum HD.
5. Body contour optional within zone defined by HD, CD, and Q.
6. Leads at gauge plane $.054 +.001 -0.000$ inch ($1.37 +0.03 -0.00$ mm) below seating plane shall be within $.007$ inch (0.18 mm) radius of true position (TP) at maximum material condition (MMC) relative to tab at MMC.
7. Dimension LU applies between L₁ and L₂. Dimension LD applies between L₂ and LL minimum. Diameter is uncontrolled in L₁ and beyond LL minimum.
8. All three leads.
9. The gate shall be electrically connected to the case.
10. Dimension r (radius) applies to both inside corners of tab.
11. In accordance with ASME Y14.5M, diameters are equivalent to φx symbology.
12. Lead 1 = source, lead 2 = gate, lead 3 = drain.

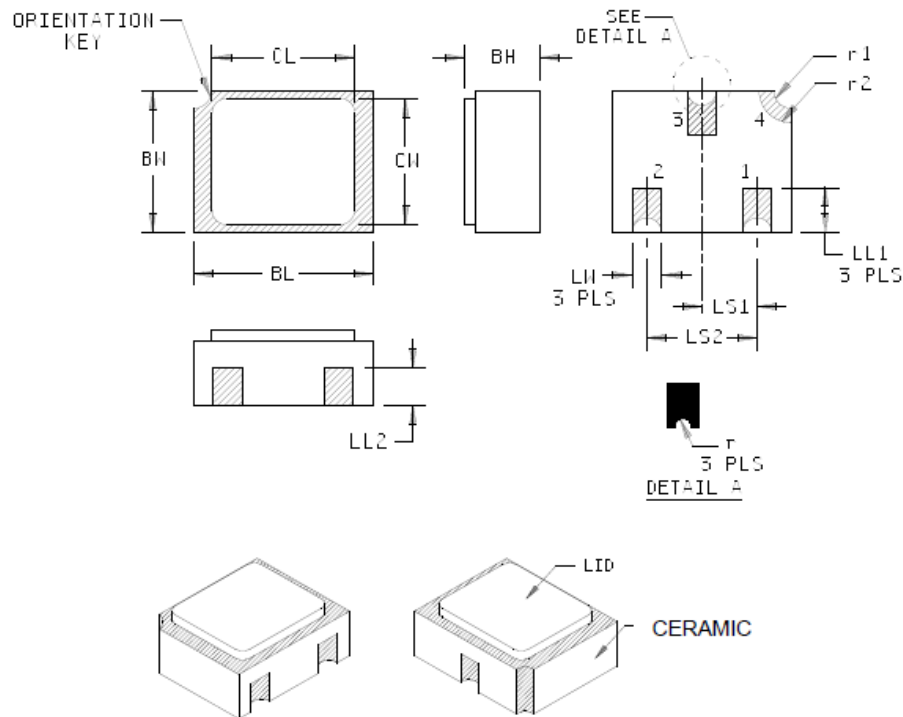
FIGURE 1. Physical dimensions (similar to TO-18).

2N5114, 2N5115, 2N5116

P Channel J-FET

Rev. V2

Outline Drawing (UB)



Symbol	Dimensions				Note
	Inches		Millimeters		
	Min	Max	Min	Max	
BH	.046	.056	1.17	1.42	
BL	.115	.128	2.92	3.25	
BW	.085	.108	2.16	2.74	
CL		.128		3.25	
CW		.108		2.74	
LL1	.022	.038	0.56	0.96	
LL2	.017	.035	0.43	0.89	
LS1	.036	.040	0.91	1.02	
LS2	.071	.079	1.81	2.01	
LW	.016	.024	0.41	0.61	
r		.008		.203	
r1		.012		.305	
r2		.022		.559	

NOTES:

1. Dimensions are in inches.
2. Millimeters are given for general information only.
3. Hatched areas on package denote metallized areas (tungsten with gold plating 60 micro inches min over 80 micro inches min nickel).
4. Pad 1 = drain, Pad 2 = source, Pad 3 = gate, Pad 4 = shielding connected to the lid.

FIGURE 2. Physical dimensions, surface mount (UB version).

2N5114, 2N5115, 2N5116



P Channel J-FET

Rev. V2

VPT COMPONENTS. ALL RIGHTS RESERVED.

Information in this document is provided in connection with VPT Components products. These materials are provided by VPT Components as a service to its customers and may be used for informational purposes only. Except as provided in VPT Components Terms and Conditions of Sale for such products or in any separate agreement related to this document, VPT Components assumes no liability whatsoever. VPT Components assumes no responsibility for errors or omissions in these materials. VPT Components may make changes to specifications and product descriptions at any time, without notice. VPT Components makes no commitment to update the information and shall have no responsibility whatsoever for conflicts or incompatibilities arising from future changes to its specifications and product descriptions. No license, express or implied, by estoppel or otherwise, to any intellectual property rights is granted by this document.

THESE MATERIALS ARE PROVIDED "AS IS" WITHOUT WARRANTY OF ANY KIND, EITHER EXPRESS OR IMPLIED, RELATING TO SALE AND/OR USE OF VPT COMPONENTS PRODUCTS INCLUDING LIABILITY OR WARRANTIES RELATING TO FITNESS FOR A PARTICULAR PURPOSE, CONSEQUENTIAL OR INCIDENTAL DAMAGES, MERCHANTABILITY, OR INFRINGEMENT OF ANY PATENT, COPYRIGHT OR OTHER INTELLECTUAL PROPERTY RIGHT. VPT COMPONENTS FURTHER DOES NOT WARRANT THE ACCURACY OR COMPLETENESS OF THE INFORMATION, TEXT, GRAPHICS OR OTHER ITEMS CONTAINED WITHIN THESE MATERIALS. VPT COMPONENTS SHALL NOT BE LIABLE FOR ANY SPECIAL, INDIRECT, INCIDENTAL, OR CONSEQUENTIAL DAMAGES, INCLUDING WITHOUT LIMITATION, LOST REVENUES OR LOST PROFITS, WHICH MAY RESULT FROM THE USE OF THESE MATERIALS.

VPT Components products are not intended for use in medical, lifesaving or life sustaining applications. VPT Components customers using or selling VPT Components products for use in such applications do so at their own risk and agree to fully indemnify VPT Components for any damages resulting from such improper use or sale.