

New Jersey Semi-Conductor Products, Inc.

20 STERN AVE.
 SPRINGFIELD, NEW JERSEY 07081
 U.S.A.

TELEPHONE: (973) 376-2922
 (212) 227-8006
 FAX: (973) 376-8860

PARAMETERS

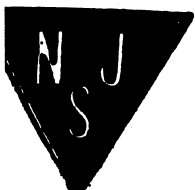
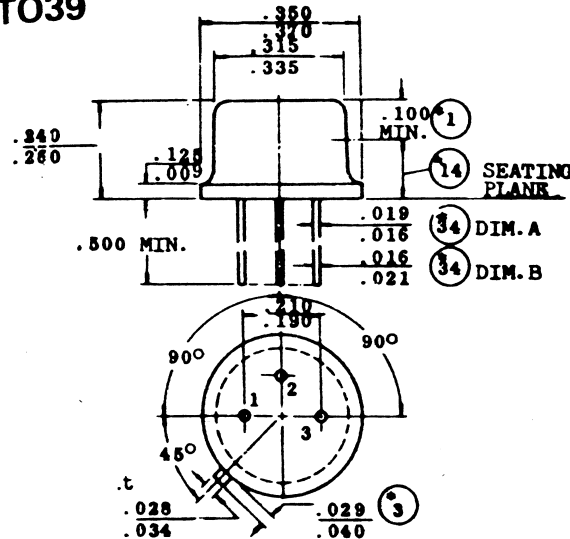
2N5149
 SI PNP POWER BJT

Description: Si PNP Power BJT

Manufacturer.....	
Mil/High-Rel? (Y/N).....	
Ic Max. (A).....	2.0
Vbr CEO.....	80
Vbr CBO.....	100
Max. PD (W).....	1.0
Derate (Amb) (W/xC).....	40m
Min hFE.....	70
Max. hFE.....	200
@Ic (test) (A).....	1.0
@VCE (V).....	5.0
Trans. Freq (Hz) Min.....	60M
Icbo Max. @Vcb Max. (A).....	1.0mw
R(sat) (j).....	
Tr Max. (s).....	
t(f) Max. (S).....	
Oper. Temp (x°C) Max.....	175u
Pkg Style.....	TO-39
Pinout Equivalence Number.....	3-12
Surface Mounted Yes/No.....	NO

u Junction Temperature O Base or Stud Temperature w ICEX

TO39



NJ Semi-Conductors reserves the right to change test conditions, parameter limits and package dimensions without notice. Information furnished by NJ Semi-Conductors is believed to be both accurate and reliable at the time of going to press. However NJ Semi-Conductors assumes no responsibility for any errors or omissions discovered in its use. NJ Semi-Conductors encourages customers to verify that data sheets are current before placing orders.