

Silicon PNP Power Transistors

2N5739 2N5740

DESCRIPTION

- With TO-66 package
- Low collector saturation voltage

APPLICATIONS

- For general-purpose switching and power amplifier applications.

PINNING

PIN	DESCRIPTION
1	Base
2	Emitter
3	Collector

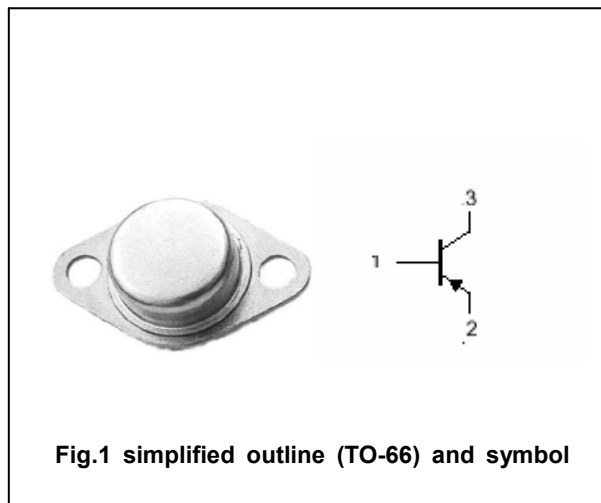


Fig.1 simplified outline (TO-66) and symbol

Absolute maximum ratings(Ta=□)

SYMBOL	PARAMETER	CONDITIONS	VALUE	UNIT
V _{CBO}	Collector-base voltage	2N5739	-60	V
		2N5740	-100	
V _{CEO}	Collector-emitter voltage	2N5739	-60	V
		2N5740	-100	
V _{EBO}	Emitter-base voltage	Open collector	-5	V
I _C	Collector current		-10	A
I _{CM}	Collector current-peak		-20	A
I _B	Base current		-4	A
P _C	Collector power dissipation	T _C =100□	20	W
T _j	Junction temperature		150	□
T _{stg}	Storage temperature		-65~200	□

THERMAL CHARACTERISTICS

SYMBOL	PARAMETER	VALUE	UNIT
R _{th j-c}	Thermal resistance junction to case	4.56	□/W

Silicon PNP Power Transistors

2N5739 2N5740

CHARACTERISTICS

T_j=25 °C unless otherwise specified

SYMBOL	PARAMETER		CONDITIONS	MIN	TYP.	MAX	UNIT
V _{CEO(SUS)}	Collector-emitter sustaining voltage	2N5739	I _C =-0.2A ; I _B =0	-60			V
		2N5740		-100			
V _{CEsat-1}	Collector-emitter saturation voltage		I _C =-5A ; I _B =-0.5A			-1.0	V
V _{CEsat-2}	Collector-emitter saturation voltage		I _C =-10A ; I _B =-2.5A			-3.0	V
V _{BEsat}	Base-emitter saturation voltage		I _C =-10A ; I _B =-2.5A			-2.5	V
V _{BE}	Base-emitter on voltage		I _C =-4A ; V _{CE} =-4V			-1.5	V
I _{CBO}	Collector cut-off current		V _{CB} =Rated V _{CBO} ; I _E =0			-0.1	mA
I _{CEx}	Collector cut-off current		V _{CE} = Rated V _{CEO} ; V _{BE(off)} =1.5V T _C =150 °C			-0.5 -5.0	mA
I _{EBO}	Emitter cut-off current		V _{EB} =-5V ; I _C =0			-1.0	mA
h _{FE-1}	DC current gain		I _C =-5A ; V _{CE} =-5V	20		80	
h _{FE-2}	DC current gain		I _C =-10A ; V _{CE} =-5V	4			
f _T	Transition frequency		I _C =-0.5A ; V _{CE} =-10V	10			MHz

Silicon PNP Power Transistors

2N5739 2N5740

PACKAGE OUTLINE

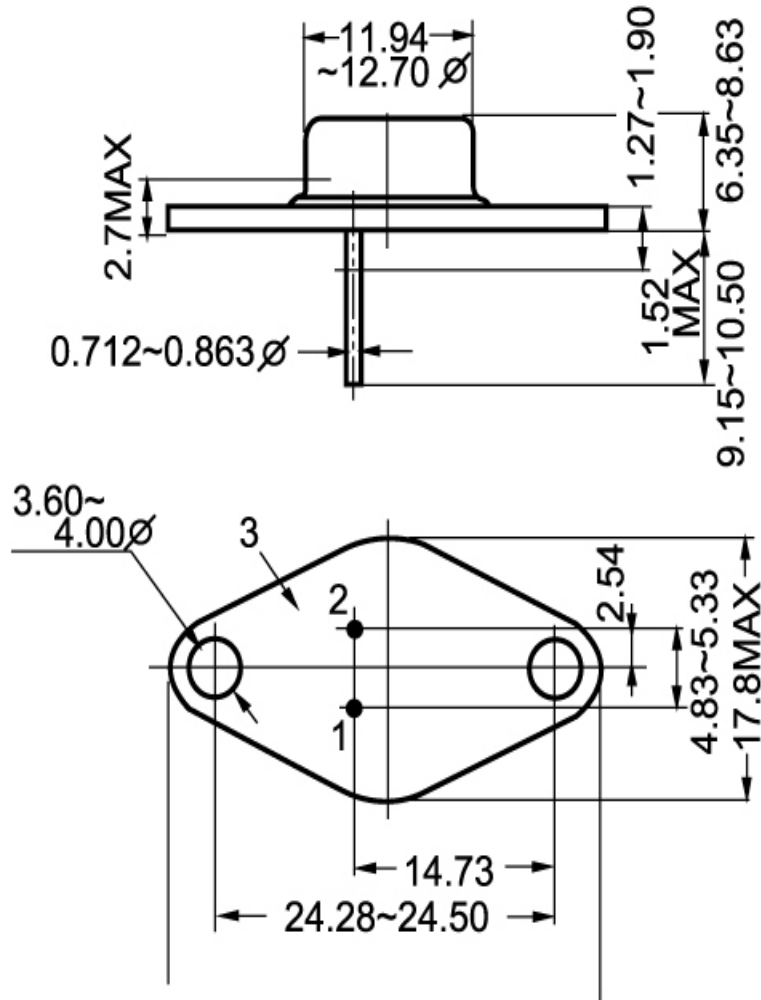


Fig.2 outline dimensions (unindicated tolerance: ± 0.1 mm)