

2N5783 PNP
2N5786 NPN

**COMPLEMENTARY SILICON
POWER TRANSISTORS**



TO-39 CASE



www.centrasemi.com

DESCRIPTION:

The CENTRAL SEMICONDUCTOR 2N5783 and 2N5786 types are Complementary Silicon Power Transistors designed for general purpose switching and amplifier applications.

MARKING: FULL PART NUMBER

MAXIMUM RATINGS: ($T_C=25^\circ\text{C}$)

Collector-Base Voltage
Collector-Emitter Voltage
Collector-Emitter Voltage
Emitter-Base Voltage
Continuous Collector Current
Continuous Base Current
Power Dissipation
Power Dissipation ($T_A=25^\circ\text{C}$)
Operating and Storage Junction Temperature
Thermal Resistance
Thermal Resistance

SYMBOL		UNITS
V_{CBO}	45	V
V_{CER}	45	V
V_{CEO}	40	V
V_{EBO}	3.5	V
I_C	3.5	A
I_B	1.0	A
P_D	10	W
P_D	1.0	W
T_J, T_{stg}	-65 to +200	$^\circ\text{C}$
θ_{JC}	17.5	$^\circ\text{C/W}$
θ_{JA}	175	$^\circ\text{C/W}$

ELECTRICAL CHARACTERISTICS: ($T_C=25^\circ\text{C}$ unless otherwise noted)

SYMBOL	TEST CONDITIONS	MIN	MAX	UNITS
I_{CEV}	$V_{CE}=45\text{V}, V_{BE}=1.5\text{V}$		10	μA
I_{CEV}	$V_{CE}=45\text{V}, V_{BE}=1.5\text{V}, T_C=150^\circ\text{C}$		1.0	mA
I_{CER}	$V_{CE}=40\text{V}, R_{BE}=100\Omega$		10	μA
I_{CER}	$V_{CE}=40\text{V}, R_{BE}=100\Omega, T_C=150^\circ\text{C}$		1.0	mA
I_{CEO}	$V_{CE}=25\text{V}$		100	μA
I_{EBO}	$V_{EB}=3.5\text{V}$		10	μA
BV_{CER}	$I_C=10\text{mA}, R_{BE}=100\Omega$	45		V
BV_{CEO}	$I_C=10\text{mA}$	40		V
$V_{CE(SAT)}$	$I_C=1.6\text{A}, I_B=160\text{mA}$		1.0	V
$V_{CE(SAT)}$	$I_C=3.2\text{A}, I_B=800\text{mA}$		2.0	V
$V_{BE(ON)}$	$V_{CE}=2.0\text{V}, I_C=1.6\text{A}$		1.5	V
h_{FE}	$V_{CE}=2.0\text{V}, I_C=1.6\text{A}$	20	150	
h_{FE}	$V_{CE}=2.0\text{V}, I_C=3.2\text{A}$	4.0		
f_T	$V_{CE}=2.0\text{V}, I_C=100\text{mA}, f=4.0\text{MHz}$ (2N5783)	8.0	60	MHz
f_T	$V_{CE}=2.0\text{V}, I_C=100\text{mA}, f=200\text{kHz}$ (2N5786)	1.0	4.0	MHz
h_{fe}	$V_{CE}=2.0\text{V}, I_C=100\text{mA}, f=1.0\text{kHz}$	25		
t_{on}	$V_{CC}=30\text{V}, I_C=1.0\text{A}, I_{B1}=I_{B2}=100\text{mA}$ (2N5783)		0.5	μs
t_{on}	$V_{CC}=30\text{V}, I_C=1.0\text{A}, I_{B1}=I_{B2}=100\text{mA}$ (2N5786)		5.0	μs
t_{off}	$V_{CC}=30\text{V}, I_C=1.0\text{A}, I_{B1}=I_{B2}=100\text{mA}$ (2N5783)		2.5	μs
t_{off}	$V_{CC}=30\text{V}, I_C=1.0\text{A}, I_{B1}=I_{B2}=100\text{mA}$ (2N5786)		15	μs

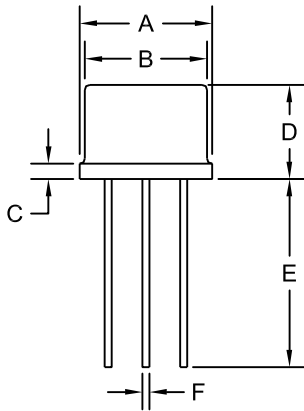
R1 (21-September 2011)

2N5783 PNP
2N5786 NPN

COMPLEMENTARY SILICON
POWER TRANSISTORS

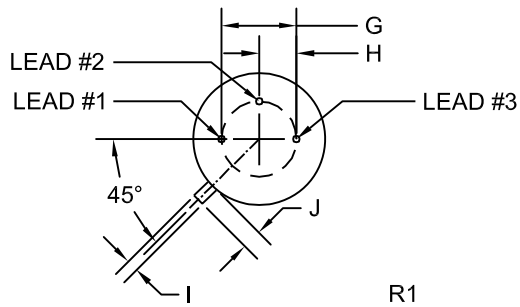


TO-39 CASE - MECHANICAL OUTLINE



SYMBOL	DIMENSIONS			
	INCHES		MILLIMETERS	
	MIN	MAX	MIN	MAX
A (DIA)	0.335	0.370	8.51	9.40
B (DIA)	0.315	0.335	8.00	8.51
C	-	0.040	-	1.02
D	0.240	0.260	6.10	6.60
E	0.500	-	12.70	-
F (DIA)	0.016	0.021	0.41	0.53
G (DIA)	0.200		5.08	
H	0.100		2.54	
I	0.028	0.034	0.71	0.86
J	0.029	0.045	0.74	1.14

TO-39 (REV: R1)



LEAD CODE:

- 1) Emitter
- 2) Base
- 3) Collector

MARKING: FULL PART NUMBER

R1 (21-September 2011)