



2N7002DW

Power MOSFET

300mA, 60V DUAL N-CHANNEL POWER MOSFET

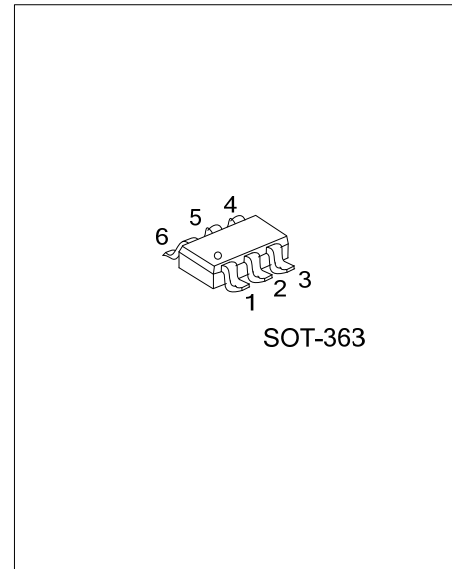
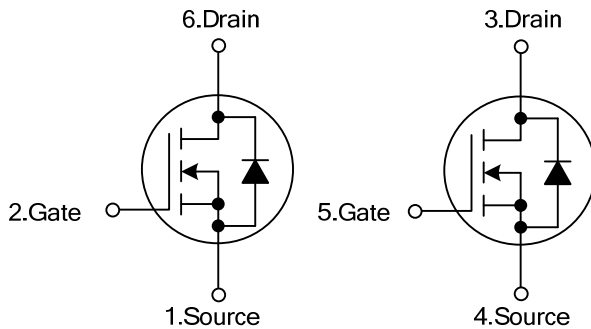
DESCRIPTION

The UTC **2N7002DW** uses advanced technology to provide excellent $R_{DS(ON)}$, low gate charge and operation with low gate voltages. This device is suitable for use as a load switch or in PWM applications.

FEATURES

- * High Density Cell Design for Low $R_{DS(ON)}$.
- * Voltage Controlled Small Signal Switch
- * Rugged and Reliable
- * High Saturation Current Capability

SYMBOL



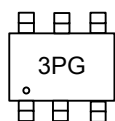
ORDERING INFORMATION

Ordering Number	Package	Pin Assignment						Packing
		1	2	3	4	5	6	
2N7002DWG-AL6-R	SOT-363	S1	G1	D2	S2	G2	D1	Tape Reel

Note: Pin Assignment: G: Gate D: Drain S: Source

2N7002DWG-AL6-R	(1)Packing Type	(1) R: Tape Reel
	(2)Package Type	(2) AL6: SOT-363
	(3)Green Package	(3) G: Halogen Free and Lead Free

MARKING



■ ABSOLUTE MAXIMUM RATINGS (T_A=25°C, unless otherwise noted.)

PARAMETER	SYMBOL	RATINGS	UNIT
Drain-Source Voltage	V _{DSS}	60	V
Drain-Gate Voltage (R _{GS} ≤ 1MΩ)	V _{DGR}	60	V
Gate Source Voltage	V _{GSS}	±20	V
		±40	
Drain Current	I _D	300	mA
		800	
Power Dissipation	P _D	200	mW
Derated Above 25°C		1.6	mW/°C
Junction Temperature	T _J	+ 150	°C
Storage Temperature	T _{STG}	-55 ~ +150	°C

Note: Absolute maximum ratings are those values beyond which the device could be permanently damaged.
Absolute maximum ratings are stress ratings only and functional device operation is not implied.

■ THERMAL DATA

PARAMETER	SYMBOL	RATINGS	UNIT
Junction to Ambient	θ _{JA}	625 (Note1)	°C/W

■ ELECTRICAL CHARACTERISTICS (T_A=25°C, unless otherwise specified)

PARAMETER	SYMBOL	TEST CONDITIONS	MIN	TYP	MAX	UNIT
OFF CHARACTERISTICS						
Drain-Source Breakdown Voltage	BV _{DSS}	V _{GS} =0V, I _D =10μA	60			V
Drain-Source Leakage Current	I _{DSS}	V _{DS} =60V, V _{GS} =0V			1	μA
Gate-Source Leakage Current	I _{GSS}	V _{GS} =20V, V _{DS} =0V			100	nA
		V _{GS} =-20V, V _{DS} =0V			-100	nA
ON CHARACTERISTICS (Note 2)						
Gate Threshold Voltage	V _{GS(TH)}	V _{GS} = V _{DS} , I _D =250μA	1	2.1	2.5	V
Drain-Source On-Voltage	V _{DS(ON)}	V _{GS} = 10V, I _D =300mA		0.6	3.75	V
		V _{GS} = 5.0V, I _D =50mA		0.09	1.5	
Static Drain-Source On-Resistance	R _{DS(ON)}	V _{GS} =10V, I _D =300mA, T _J =125°C			13.5	Ω
		V _{GS} =5.0V, I _D =50mA			7.5	Ω
DYNAMIC CHARACTERISTICS						
Input Capacitance	C _{ISS}	V _{DS} =25V, V _{GS} =0V, f=1.0MHz		20	50	pF
Output Capacitance	C _{OSS}			11	25	pF
Reverse Transfer Capacitance	C _{RSS}			4	5	pF
Turn-On Time	t _{ON}	V _{DD} =30V, R _L =150Ω I _D =200mA, V _{GS} =10V R _{GEN} =25Ω			20	nS
Turn-Off Time	t _{OFF}	V _{DD} =30V, R _L =25Ω I _D =200mA, V _{GS} =10V R _{GEN} =25Ω			20	nS
DRAIN-SOURCE DIODE CHARACTERISTICS AND MAXIMUM RATINGS						
Drain-Source Diode Forward Voltage	V _{SD}	V _{GS} =0V, I _S =300mA (Note)		0.88	1.5	V
Maximum Pulsed Drain-Source Diode Forward Current	I _{SM}				0.8	A
Maximum Continuous Drain-Source Diode Forward Current	I _S				300	mA

Note: 1. Device mounted on FR-4 PCB, 1 inch x 0.85 inch x 0.062 inch. Minimum land pad size.
2. Pulse Test: Pulse Width ≤ 300μs, Duty Cycle ≤ 2.0%

■ TEST CIRCUIT AND WAVEFORM

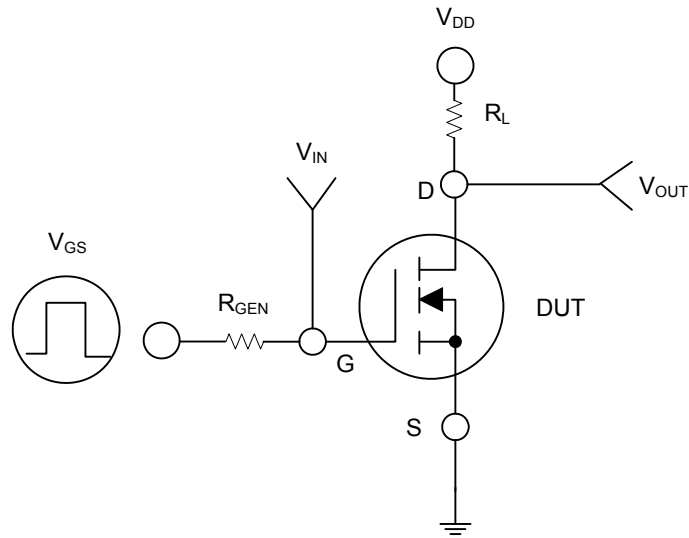


Fig. 1

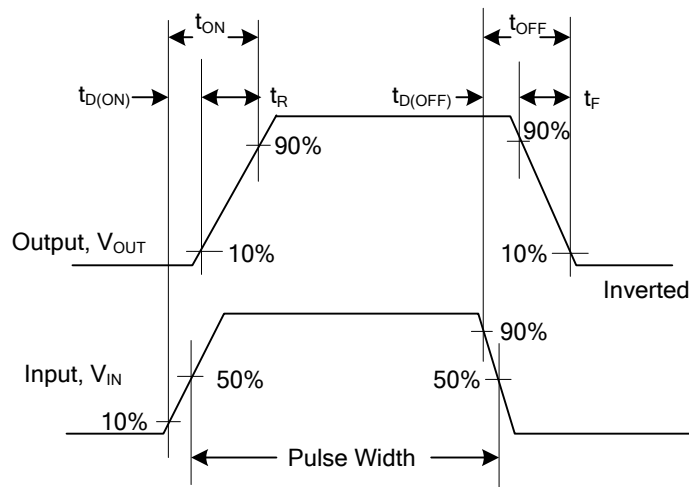
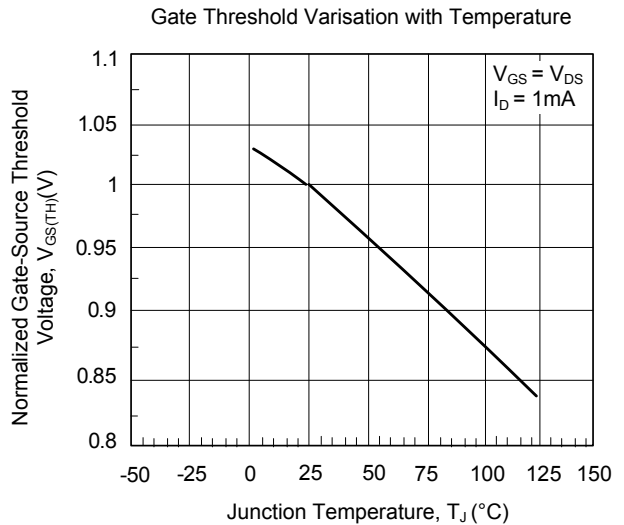
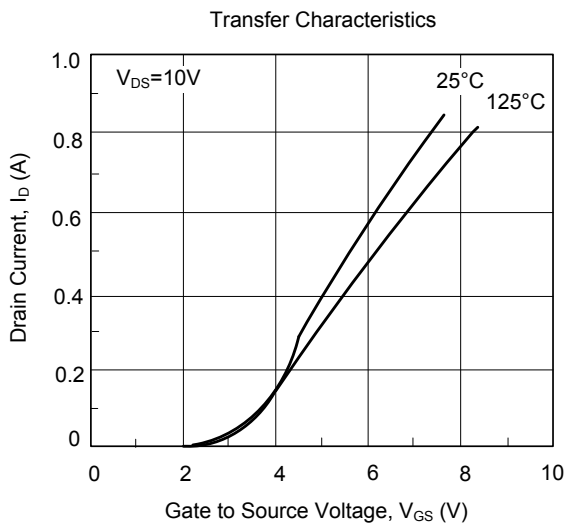
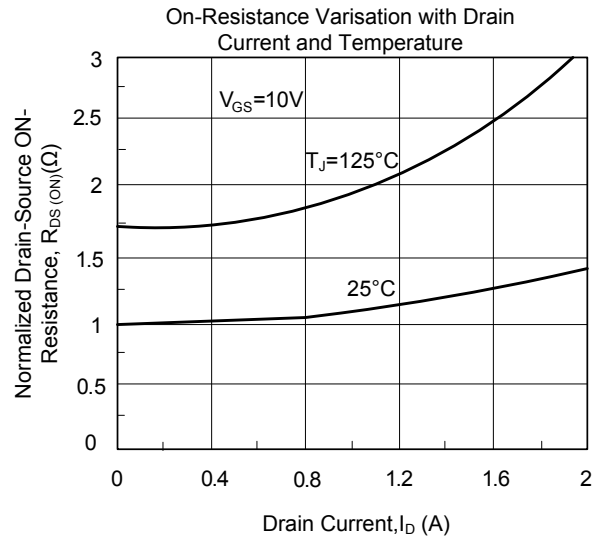
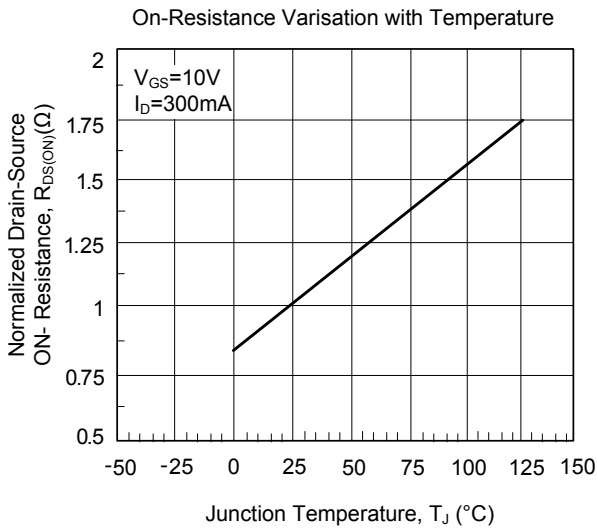
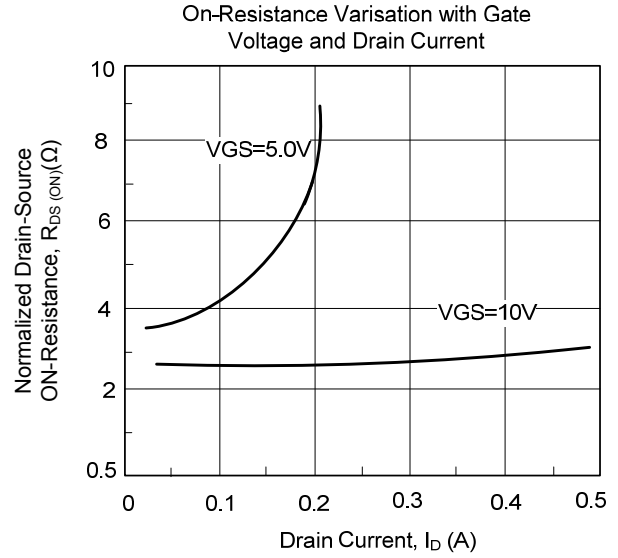
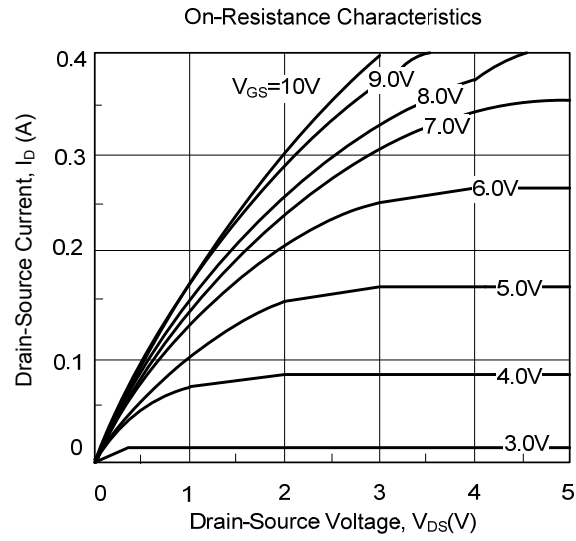


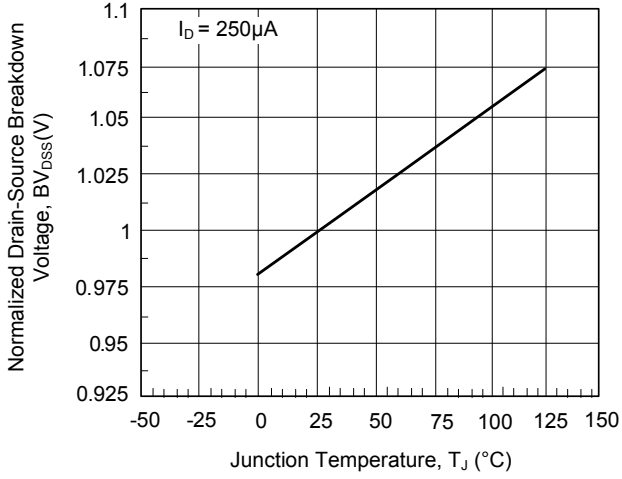
Fig. 2 Switching Waveforms

■ TYPICAL CHARACTERISTICS

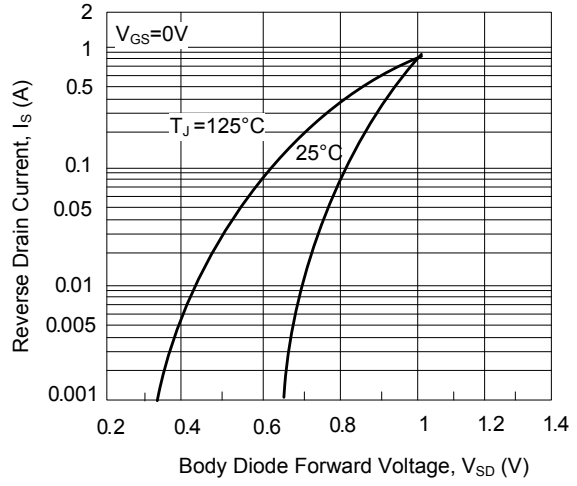


TYPICAL CHARACTERISTICS (Cont.)

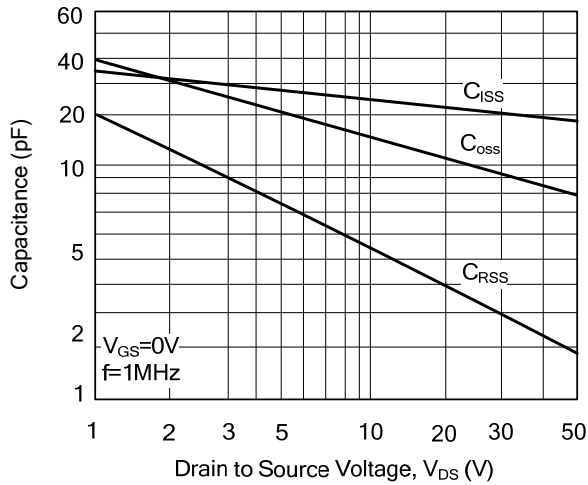
Breakdown Voltage Variation with Temperature



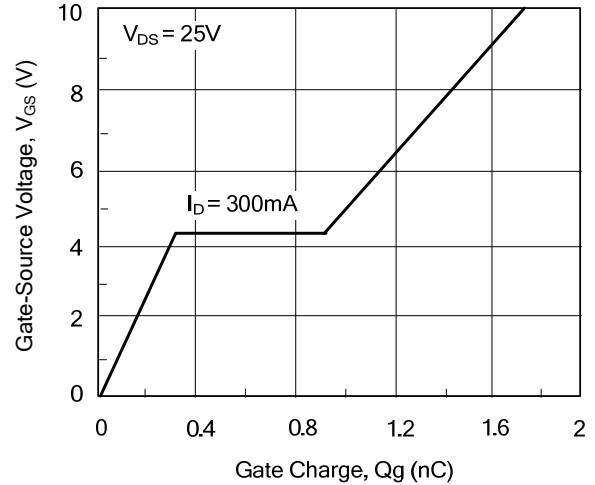
Body Diode Forward Voltage Variation with Temperature



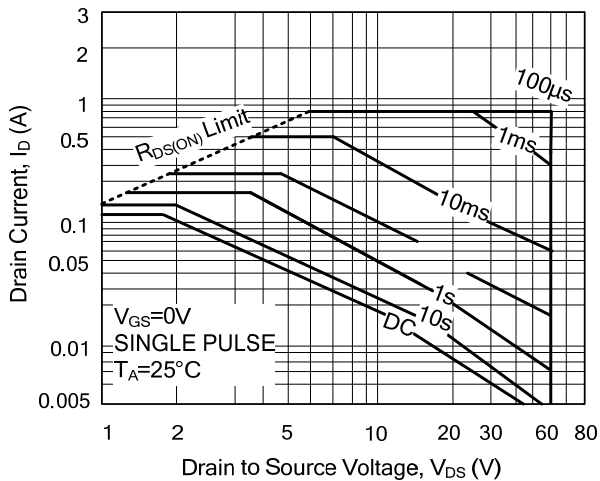
Capacitance Characteristics



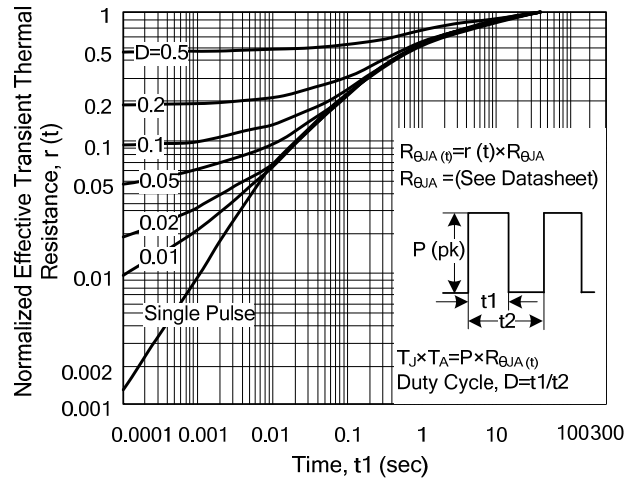
Gate Charge Characteristics



Maximum Safe Operating Area



Transient Thermal Response Curve



UTC assumes no responsibility for equipment failures that result from using products at values that exceed, even momentarily, rated values (such as maximum ratings, operating condition ranges, or other parameters) listed in products specifications of any and all UTC products described or contained herein. UTC products are not designed for use in life support appliances, devices or systems where malfunction of these products can be reasonably expected to result in personal injury. Reproduction in whole or in part is prohibited without the prior written consent of the copyright owner. The information presented in this document does not form part of any quotation or contract, is believed to be accurate and reliable and may be changed without notice.