

GDT introduction: Gas discharge tubes (GDT) use noble gasses enclosed in ceramic tubes to provide an alternate circuit path for voltage spikes. The ceramic envelope and with nickel connectors allow for high loads and Ruilon offers products that function at 20KA, 40KA, 50KA, 60KA, 100KA & 150KA. The breakdown voltages of the devices have a wide range (up to 20% tolerance). Major applications are high frequency telecommunication lines, stations, security systems, HID and high quality Surge Protection Devices (SPD).

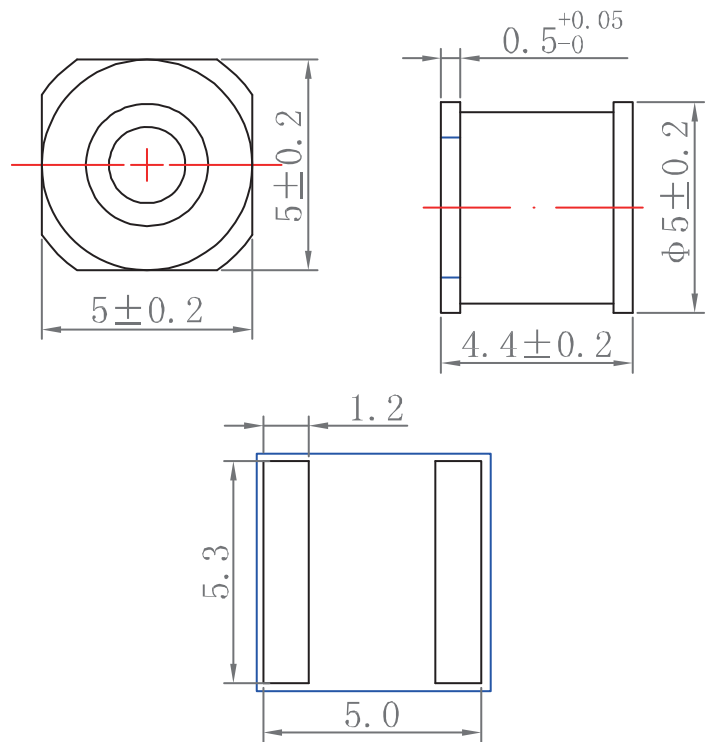


Features

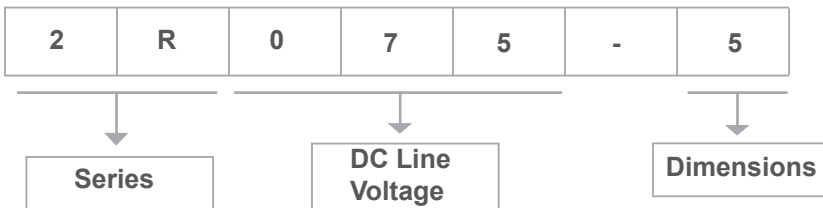
- RoHS & HF compliant
- SMD Structure
- DC Spark-over voltage: 75~1000V
- Low Capacitance
- Agency Recognition : UL/ cUL
- Operating temperature: -30°C ~ +85°C Storage temperature: -40°C ~ +115°C

Applications

- Cable Modem
- xDSL
- Set-Top Box
- TV sets
- Power supplier
- Consumer electronics



Part Number





Electrical Characteristics

Part No.	DC Spark-over Voltage	Maximum Impulse Breakdown Voltage		Max. Impulse Discharge Current (8/20 μ s)		Impulse Life (10/1000 μ s)	Normal Alternating Discharge Current		DC Holdover Voltage	Minimum Insulation Resistance	Maximum Capacitance (1MHz)
	100V/S	100V/ μ S	1KV/ μ s	1 times	10 times	100 A	50Hz 1Sec	Single 9 Cycles	<150ms		
	(V)	(V)	(V)	(KA)		Times	(A)		(V)		
2R075-5S	75 \pm 20%	600	700	5	3	300	3	15	52	1	0.8
2R090-5S	90 \pm 20%	600	700	5	3	300	3	15	52	1	0.8
2R150-5S	150 \pm 20%	500	700	5	3	300	3	15	52	1	0.8
2R230-5S	230 \pm 20%	500	600	5	3	300	3	15	80	1	0.8
2R250-5S	250 \pm 20%	500	600	5	3	300	3	15	150	1	0.8
2R300-5S	300 \pm 20%	550	650	5	3	300	3	15	150	1	0.8
2R350-5S	350 \pm 20%	600	700	5	3	300	3	15	150	1	0.8
2R400-5S	400 \pm 20%	650	750	5	3	300	3	15	150	1	0.8
2R470-5S	470 \pm 20%	750	850	5	3	300	3	15	150	1	0.8
2R600-5S	600 \pm 20%	900	1000	5	3	300	3	15	150	1	0.8
2R800-5S	800 \pm 20%	1000	1100	5	3	300	3	15	150	1	0.8
2R1000-5S	1000 \pm 20%	1500	1600	5	3	300	3	15	150	1	0.8

DC Spark-over Voltage	DC Measuring Voltage
75-90V	50V
150-400V	100V
470-800V	250V