

Silicon PNP Power Transistors

2SA1227 2SA1227A

DESCRIPTION

- With TO-3PFa package
- Complement to type 2SC2987/2987A
- High power dissipation

APPLICATIONS

- For use in audio frequency power amplifier applications

PINNING

PIN	DESCRIPTION
1	Base
2	Collector
3	Emitter

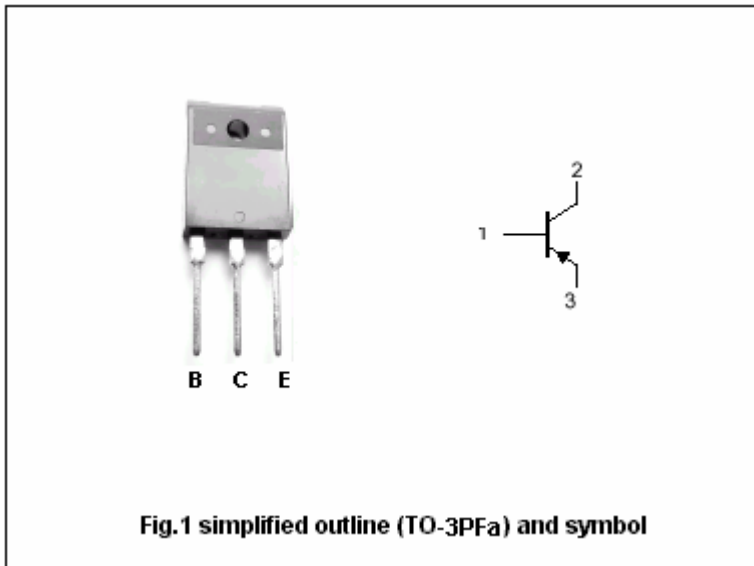


Fig.1 simplified outline (TO-3PFa) and symbol

Absolute maximum ratings(Ta=25°C)

SYMBOL	PARAMETER	CONDITIONS	VALUE	UNIT
V <sub>CBO</sub>	Collector-base voltage	2SA1227	-140	V
		2SA1227A	-160	
V <sub>CEO</sub>	Collector-emitter voltage	2SA1227	-140	V
		2SA1227A	-160	
V <sub>EBO</sub>	Emitter-base voltage	Open collector	-5	V
I <sub>C</sub>	Collector current		-12	A
I <sub>CM</sub>	Collector current-peak		-20	A
P <sub>T</sub>	Total power dissipation	T <sub>C</sub> =25°C	120	W
T <sub>j</sub>	Junction temperature		150	°C
T <sub>stg</sub>	Storage temperature		-55~150	°C

## Silicon PNP Power Transistors

## 2SA1227 2SA1227A

## CHARACTERISTICS

T<sub>j</sub>=25 °C unless otherwise specified

SYMBOL	PARAMETER	CONDITIONS	MIN	TYP.	MAX	UNIT
V <sub>CEsat</sub>	Collector-emitter saturation voltage	I <sub>C</sub> =-5A ; I <sub>B</sub> =-0.5A		-0.8	-1.5	V
V <sub>BEsat</sub>	Base-emitter saturation voltage	I <sub>C</sub> =-5A ; I <sub>B</sub> =-0.5A		-1.5	-2.0	V
I <sub>CBO</sub>	Collector cut-off current	V <sub>CB</sub> =-140V; I <sub>E</sub> =0			-50	μA
I <sub>EBO</sub>	Emitter cut-off current	V <sub>EB</sub> =-3V; I <sub>C</sub> =0			-50	μA
h <sub>FE-1</sub>	DC current gain	I <sub>C</sub> =-2A ; V <sub>CE</sub> =-5V	60		320	
h <sub>FE-2</sub>	DC current gain	I <sub>C</sub> =-5A ; V <sub>CE</sub> =-5V	40			
C <sub>OB</sub>	Output capacitance	I <sub>E</sub> =0 ; V <sub>CB</sub> =-10V; f=1MHz		280		pF
f <sub>T</sub>	Transition frequency	I <sub>C</sub> =-1A ; V <sub>CE</sub> =-5V		60		MHz

◆ h<sub>FE-1</sub> classifications

R	Q	P
60-120	100-200	160-320

Silicon PNP Power Transistors

2SA1227 2SA1227A

PACKAGE OUTLINE

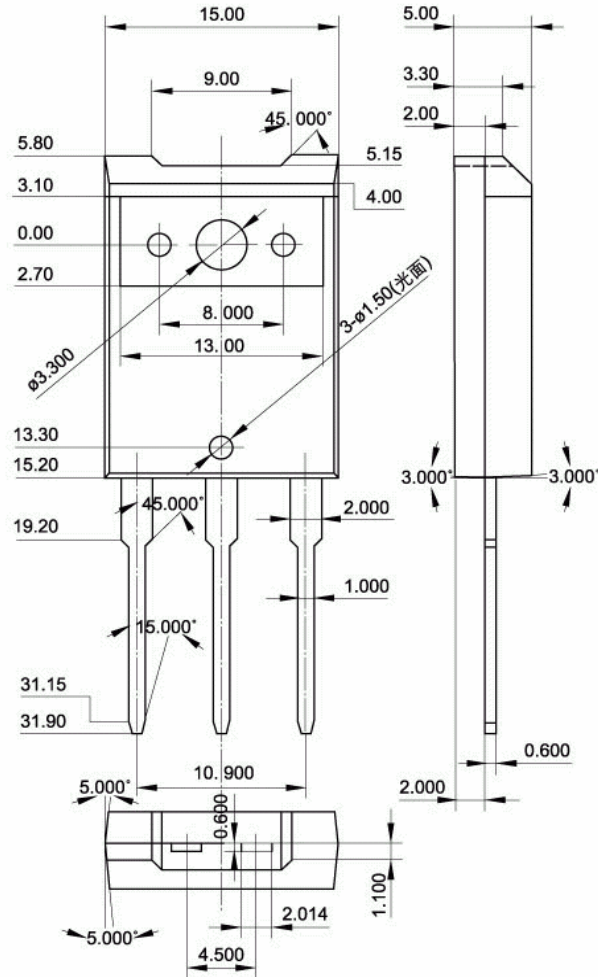


Fig.2 Outline dimensions (unindicated tolerance:±0.30mm)