

Silicon PNP Power Transistors

2SA1261

DESCRIPTION

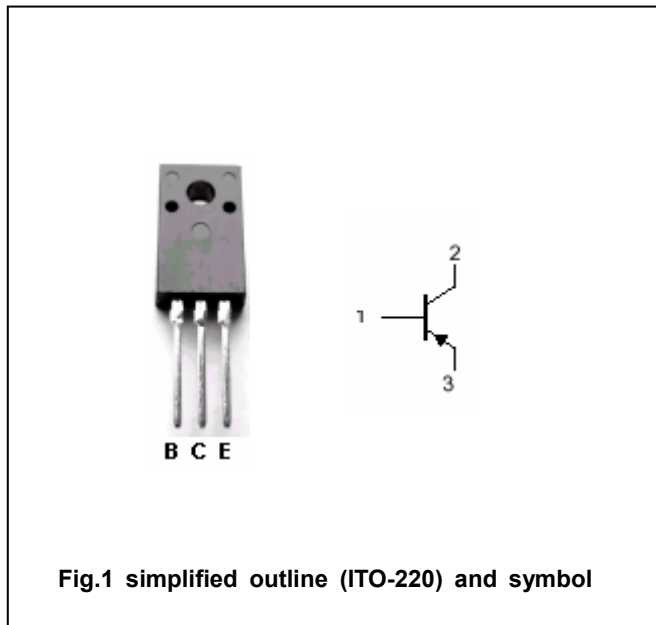
- With ITO-220 package
- High switching speed
- Low collector saturation voltage
- Complement to type 2SC3157

APPLICATIONS

- For high voltage ,high speed and power switching applications

PINNING

PIN	DESCRIPTION
1	Emitter
2	Collector
3	Base



Absolute maximum ratings(Ta=25°C)

SYMBOL	PARAMETER	CONDITIONS	VALUE	UNIT
V _{CBO}	Collector-base voltage	Open emitter	-100	V
V _{CEO}	Collector-emitter voltage	Open base	-100	V
V _{EBO}	Emitter-base voltage	Open collector	-7	V
I _C	Collector current		-10	A
I _{CM}	Collector current-Peak		-20	A
I _B	Base current		-3.5	A
P _T	Total power dissipation	T _a =25°C	1.5	W
		T _C =25°C	60	
T _j	Junction temperature		150	°C
T _{stg}	Storage temperature		-55~150	°C

Silicon PNP Power Transistors

2SA1261

CHARACTERISTICS

T_j=25°C unless otherwise specified

SYMBOL	PARAMETER	CONDITIONS	MIN	TYP.	MAX	UNIT
V _{CEO(SUS)}	Collector-emitter sustaining voltage	I _C =-5A ; I _{B1} =-0.5A; L=1mH	-100			V
V _{CEsat}	Collector-emitter saturation voltage	I _C =-5A; I _B =-0.5A			-0.6	V
V _{BEsat}	Base-emitter saturation voltage	I _C =-5A; I _B =-0.5A			-1.5	V
I _{CBO}	Collector cut-off current	V _{CB} =-100V; I _E =0			-0.01	mA
I _{CEX}	Collector cut-off current	V _{CE} =-100V; V _{BE} =-1.5V T _a =125°C			-0.01 -1.0	mA
I _{EBO}	Emitter cut-off current	V _{EB} =-5V; I _C =0			-0.01	mA
h _{FE-1}	DC current gain	I _C =-0.5A ; V _{CE} =-5V	40		200	
h _{FE-2}	DC current gain	I _C =-3A ; V _{CE} =-5V	40		200	
h _{FE-3}	DC current gain	I _C =-5A ; V _{CE} =-5V	20			

Switching times

t _{on}	Turn-on time				0.5	μs
t _s	Storage time	I _C =-5A; I _{B1} =-I _{B2} =-0.5A , R _L =10Ω; V _{CC} =-50V			1.5	μs
t _f	Fall time				0.5	μs

◆ h_{FE-2} classifications

M	L	K
40-80	60-120	100-200

Silicon PNP Power Transistors

2SA1261

PACKAGE OUTLINE

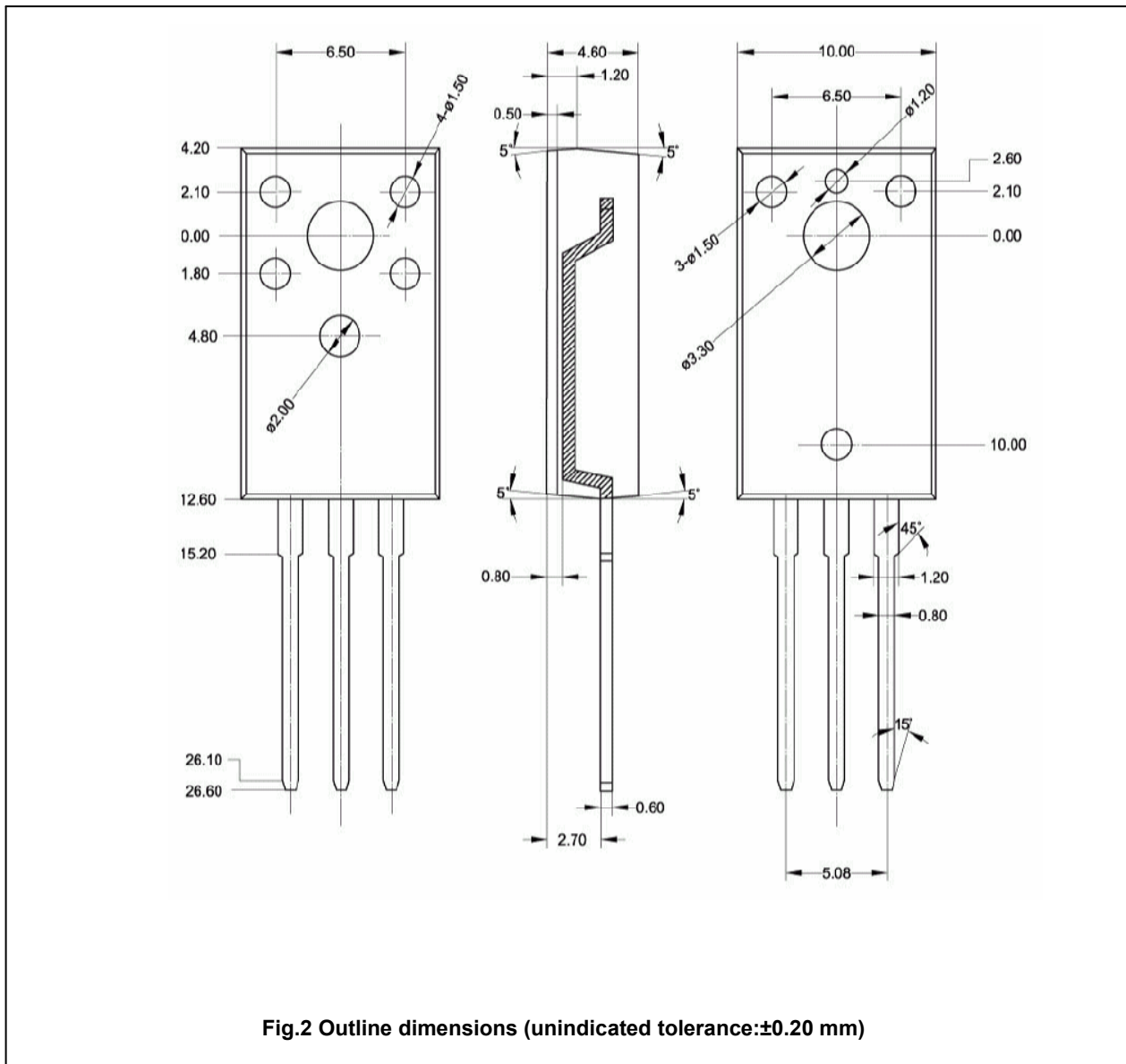


Fig.2 Outline dimensions (unindicated tolerance:±0.20 mm)