

isc Silicon PNP Power Transistor
2SA1673
DESCRIPTION

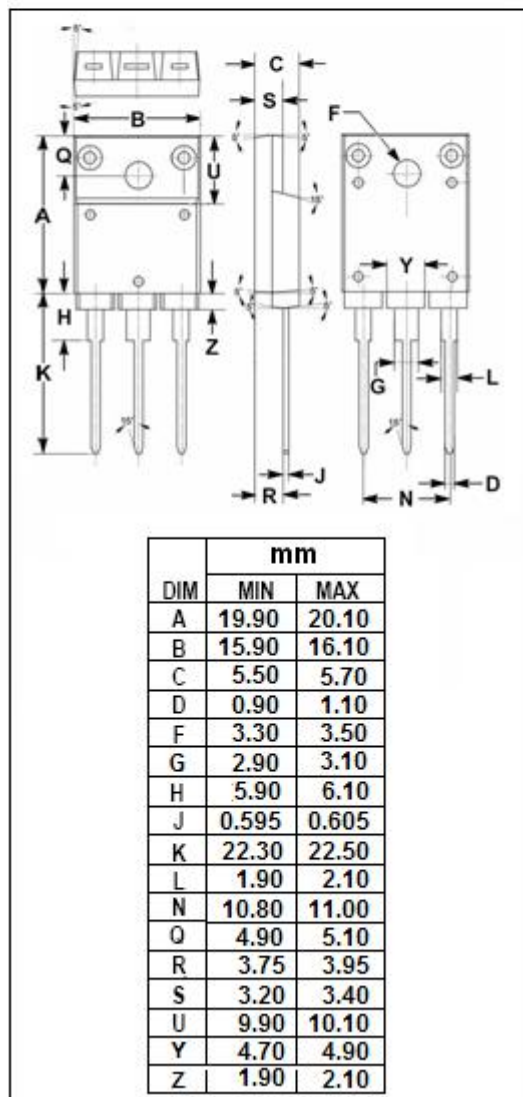
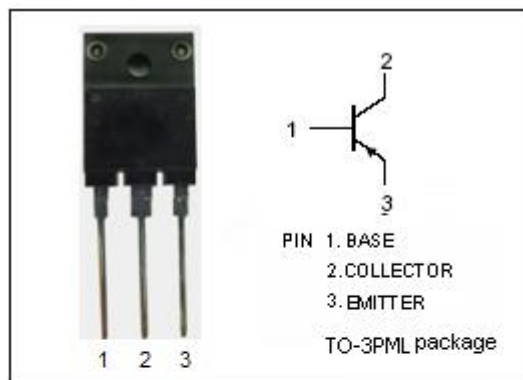
- Collector-Emitter Breakdown Voltage-
 $V_{(BR)CEO} = -180V(\text{Min})$
- Good Linearity of h_{FE}
- Complement to Type 2SC4388
- Minimum Lot-to-Lot variations for robust device performance and reliable operation

APPLICATIONS

- Designed for audio and general purpose applications

ABSOLUTE MAXIMUM RATINGS ($T_a=25^\circ\text{C}$)

SYMBOL	PARAMETER	VALUE	UNIT
V_{CBO}	Collector-Base Voltage	-180	V
V_{CEO}	Collector-Emitter Voltage	-180	V
V_{EBO}	Emitter-Base Voltage	-6	V
I_C	Collector Current-Continuous	-15	A
I_B	Base Current-Continuous	-4	A
P_C	Collector Power Dissipation @ $T_C=25^\circ\text{C}$	85	W
T_J	Junction Temperature	150	$^\circ\text{C}$
T_{stg}	Storage Temperature Range	-55~150	$^\circ\text{C}$



isc Silicon PNP Power Transistor

2SA1673

ELECTRICAL CHARACTERISTICS

T_c=25°C unless otherwise specified

SYMBOL	PARAMETER	CONDITIONS	MIN	TYP.	MAX	UNIT
V _{(BR)CEO}	Collector-Emitter Breakdown Voltage	I _C = -50mA; I _B = 0	-180			V
V _{CE(sat)}	Collector-Emitter Saturation Voltage	I _C = -5A; I _B = -0.5A			-2.0	V
I _{CBO}	Collector Cutoff Current	V _{CB} = -180V; I _E = 0			-10	μ A
I _{EBO}	Emitter Cutoff Current	V _{EB} = -6V; I _C = 0			-10	μ A
h _{FE}	DC Current Gain	I _C = -3A; V _{CE} = -4V	50		180	
f _T	Current-Gain—Bandwidth Product	I _E = 0.5A; V _{CE} = -12V		20		MHz

◆ h_{FE} classifications

O	P	Y
50-100	70-140	90-180

NOTICE:

ISC reserves the rights to make changes of the content herein the datasheet at any time without notification. The information contained herein is presented only as a guide for the applications of our products.

ISC products are intended for usage in general electronic equipment. The products are not designed for use in equipment which require specialized quality and/or reliability, or in equipment which could have applications in hazardous environments, aerospace industry, or medical field. Please contact us if you intend our products to be used in these special applications.

ISC makes no warranty or guarantee regarding the suitability of its products for any particular purpose, nor does ISC assume any liability arising from the application or use of any products, and specifically disclaims any and all liability, including without limitation special, consequential or incidental damages.