

2SB1476

Silicon PNP Epitaxial Planar

☆ Darlington ☆ Complement to type 2SD2231

Application Example:
Audio and General Purpose

• Outline Drawing 2 ... MT-100(TO3P)

Absolute Maximum Ratings (Ta=25°C)

Symbol	2SB1476	Unit
V _{CB0}	-120	V
V _{CEO}	-120	V
V _{EB0}	-6	V
I _C	-6 (Pulse -10)	A
I _B	-1	A
P _C	60 (T _C =25°C)	W
T _J	150	°C
T _{stg}	-55~+150	°C

Electrical Characteristics

(Ta=25°C)

Symbol	Conditions	2SB1476	Unit
I _{CB0}	V _{CB} =-120V	-10max	μA
I _{EB0}	V _{EB} =-6V	-10max	mA
V _{(BR)CEO}	I _C = -10mA	-120min	V
h _{FE}	V _{CE} =-4V, I _C =-5A	2000~15000	
V _{CE(sat)}	I _C = -5A, I _B =-10mA	-2.0max	V
V _{BE(sat)}	I _C = -5A, I _B =-10mA	-2.5max	V

T-91-20

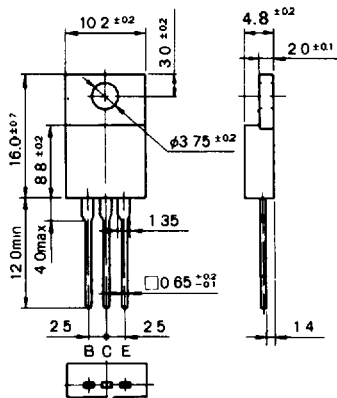
Outline Drawings/Accessories

Outline Drawing

- Nonflammability: UL94V-0 or equivalent
- Unit: in mm

Outline Drawing 1

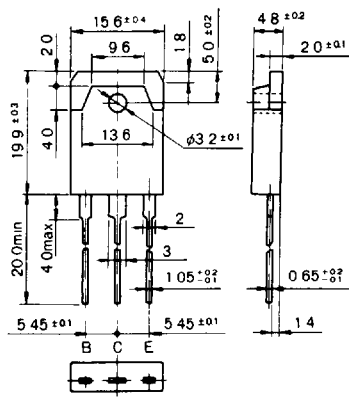
MT-25(T0220)



Weight: Approx. 2.6g

Outline Drawing 2

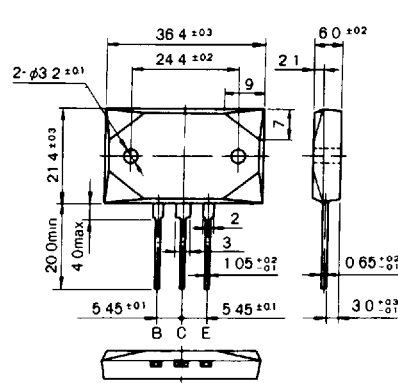
MT-100(T03P)



Weight: Approx. 6.0g

Outline Drawing 3

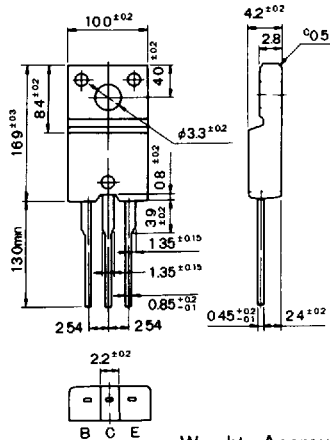
MT-200



Weight: Approx. 18.4g

Outline Drawing 4

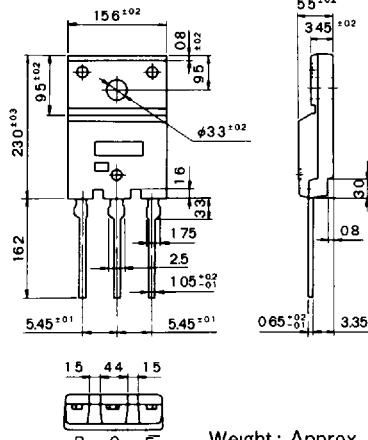
FM20 (Full Mold)



Weight: Approx. 2.0g

Outline Drawing 5

FM100 (Full Mold)



Weight: Approx. 6.5g

Accessories

☆Sanken Transistors do not include accessories. Accessories may be attached at a cost if requested.

☆Sanken transistor case is a standard size, and can replace any generally sold product.

- Heatsink: Mica, with a thickness of 0.06 mm, +0.045 -0.005 allowance

- Insulation Bush for MT-25 (T0220)

Type Name: Molded (10) Mica Type Name: Molded (14) Mica Type Name: Molded (9) Mica

