

isc Silicon PNP Power Transistor

2SB546

DESCRIPTION

- Collector-Emitter Breakdown Voltage-
: $V_{(BR)CEO} = -150V$ (Min)
- Collector Power Dissipation-
: $P_C = 30W(\text{Max}) @ T_C = 25^\circ\text{C}$
- Complement to Type 2SD401
- Minimum Lot-to-Lot variations for robust device performance and reliable operation

APPLICATIONS

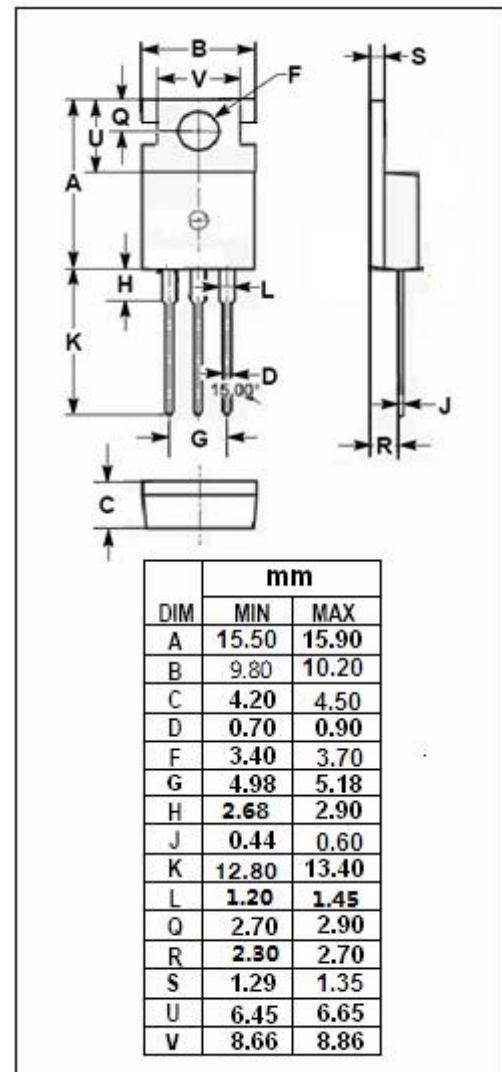
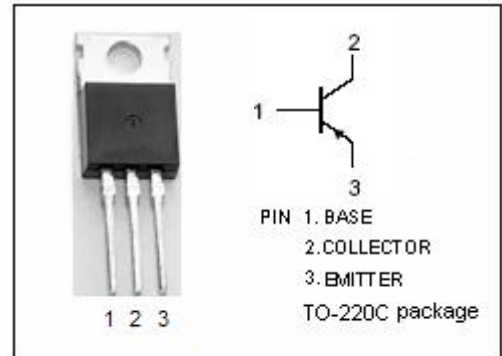
- Designed for use in line-operated color TV vertical deflection of complementary symmetry circuit.

ABSOLUTE MAXIMUM RATINGS($T_a=25^\circ\text{C}$)

SYMBOL	PARAMETER	VALUE	UNIT
V_{CBO}	Collector-Base Voltage	-200	V
V_{CEO}	Collector-Emitter Voltage	-150	V
V_{EBO}	Emitter-Base Voltage	-5.0	V
I_C	Collector Current-Continuous	-2	A
I_{CM}	Collector Current-Peak	-3	A
I_{BM}	Base Current-Peak	-1.5	A
P_C	Total Power Dissipation @ $T_C=25^\circ\text{C}$	30	W
T_J	Junction Temperature	150	
T_{stg}	Storage Temperature Range	-55~150	$^\circ\text{C}$

THERMAL CHARACTERISTICS

SYMBOL	PARAMETER	MAX	UNIT
$R_{th\ j-a}$	Thermal Resistance, Junction to Ambient	78	$^\circ\text{C/W}$
$R_{th\ j-c}$	Thermal Resistance, Junction to Case	4.16	$^\circ\text{C/W}$



isc Silicon PNP Power Transistor**2SB546****ELECTRICAL CHARACTERISTICS****T_c=25°C unless otherwise specified**

SYMBOL	PARAMETER	CONDITIONS	MIN	TYP.	MAX	UNIT
V _{(BR)CEO}	Collector-Emitter Breakdown Voltage	I _C = -10mA ; I _B = 0	-150			V
V _{CE(sat)}	Collector-Emitter Saturation Voltage	I _C = -0.5A; I _B = -50mA			-2.0	V
I _{CBO}	Collector Cutoff Current	V _{CB} = -150V ; I _E = 0			-50	μ A
I _{EBO}	Emitter Cutoff Current	V _{EB} = -4V; I _C = 0			-50	μ A
h _{FE}	DC Current Gain	I _C = -0.4A ; V _{CE} = -10V	40			
f _T	Current-Gain—Bandwidth Product	I _C = -0.4A ; V _{CE} = -10V		7		MHz
C _{OB}	Output Capacitance	I _E = 0; V _{CB} = -10V; f _{test} = 1MHz		75		pF

NOTICE:

ISC reserves the rights to make changes of the content herein the datasheet at any time without notification. The information contained herein is presented only as a guide for the applications of our products.

ISC products are intended for usage in general electronic equipment. The products are not designed for use in equipment which require specialized quality and/or reliability, or in equipment which could have applications in hazardous environments, aerospace industry, or medical field. Please contact us if you intend our products to be used in these special applications.

ISC makes no warranty or guarantee regarding the suitability of its products for any particular purpose, nor does ISC assume any liability arising from the application or use of any products, and specifically disclaims any and all liability, including without limitation special, consequential or incidental damages.