

isc Silicon NPN RF Power Transistor
2SC1969
DESCRIPTION

- With TO-220 packaging
- Reliable performance at higher powers
- Accurate reproduction of Input signal
- Greater dynamic range
- Minimum Lot-to-Lot variations for robust device performance and reliable operation

APPLICATIONS

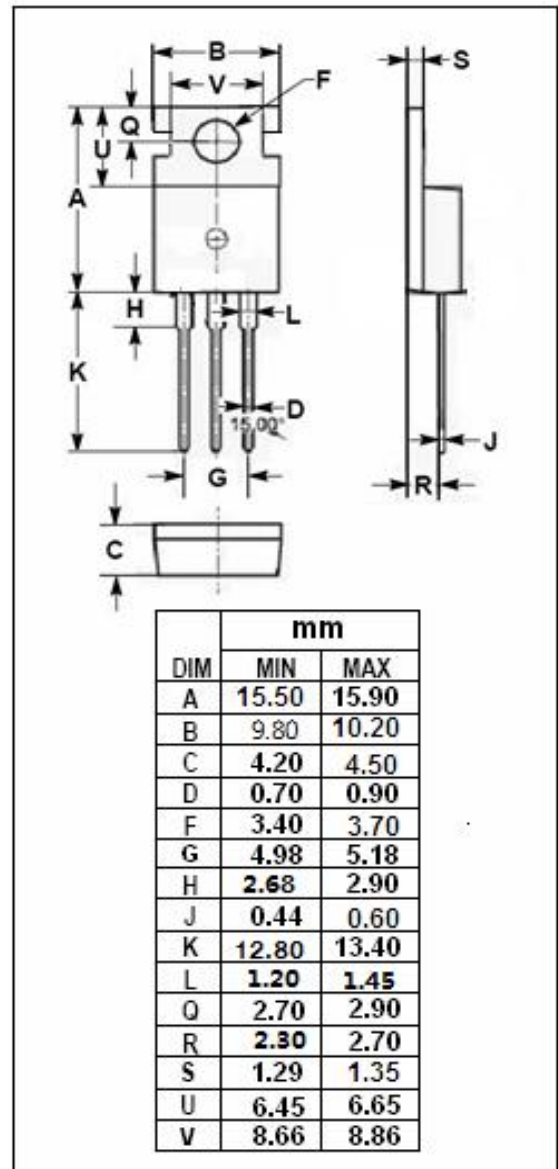
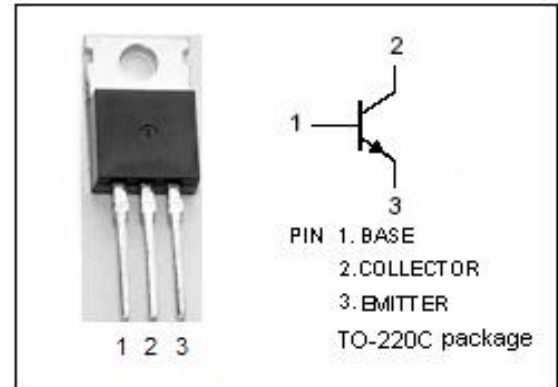
- Switching regulators
- High frequency inverters
- General purpose power amplifiers

ABSOLUTE MAXIMUM RATINGS(T_a=25°C)

SYMBOL	PARAMETER	VALUE	UNIT
V _{CBO}	Collector-Base Voltage	60	V
V _{CEO}	Collector-Emitter Voltage R _{BE} = ∞	25	V
V _{EBO}	Emitter-Base Voltage	5	V
I _C	Collector Current	6	A
P _C	Collector Power Dissipation	20	W
T _J	Junction Temperature	150	°C
T _{stg}	Storage Temperature Range	-55~150	°C

THERMAL CHARACTERISTICS

SYMBOL	PARAMETER	MAX	UNIT
R _{th j-a}	Thermal Resistance, Junction to Ambient	73.5	°C/W
R _{th j-c}	Thermal Resistance, Junction to Case	6.25	°C/W



isc Silicon NPN RF Power Transistor
2SC1969
ELECTRICAL CHARACTERISTICS

 T_c=25°C unless otherwise specified

SYMBOL	PARAMETER	CONDITIONS	MIN	TYP.	MAX	UNIT
V _{(BR)CBO}	Collector-Base Breakdown Voltage	I _c = 1mA, I _E = 0	60			V
V _{(BR)CEO}	Collector-Emitter Breakdown Voltage	I _c = 10mA; R _{BE} = ∞	25			V
V _{(BR)EBO}	Emitter-Base Breakdown Voltage	I _E = 5mA, I _c = 0	5			V
I _{CBO}	Collector Cutoff Current	V _{CB} = 30V; I _E = 0			0.1	mA
I _{EBO}	Emitter Cutoff Current	V _{EB} = 4V; I _c = 0			0.1	mA
h _{FE}	DC Current Gain	I _c = 10mA; V _{CE} = 12V	10		180	

◆ h_{FE} Classifications

X	A	B	C	D
10-25	20-45	35-70	55-110	90-180

NOTICE:

ISC reserves the rights to make changes of the content herein the datasheet at any time without notification. The information contained herein is presented only as a guide for the applications of our products.

ISC products are intended for usage in general electronic equipment. The products are not designed for use in equipment which require specialized quality and/or reliability, or in equipment which could have applications in hazardous environments, aerospace industry, or medical field. Please contact us if you intend our products to be used in these special applications.

ISC makes no warranty or guarantee regarding the suitability of its products for any particular purpose, nor does ISC assume any liability arising from the application or use of any products, and specifically disclaims any and all liability, including without limitation special, consequential or incidental damages.