

Silicon NPN Power Transistors

2SC2527

DESCRIPTION

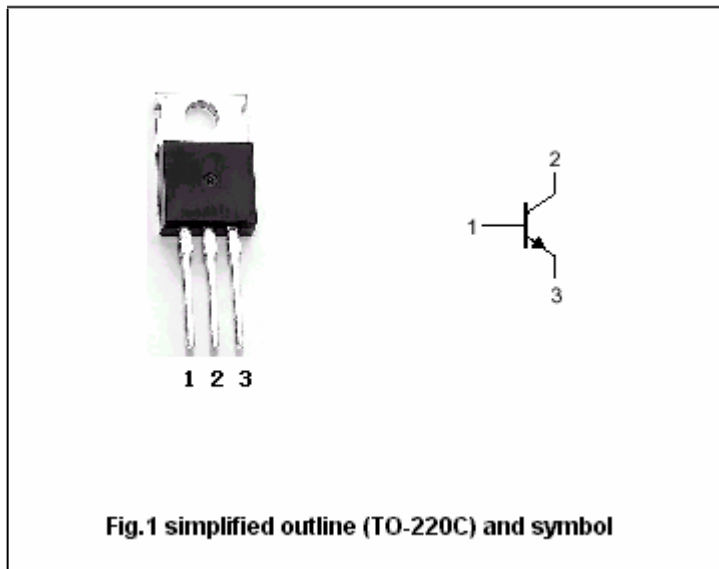
- With TO-220C package
- Complement to type 2SA1077
- Fast switching speed
- Excellent safe operating area

APPLICATIONS

- High frequency power amplifiers
- Audio power amplifiers
- Switching regulators
- DC-DC converters

PINNING

PIN	DESCRIPTION
1	Base
2	Collector;connected to mounting base
3	Emitter



Absolute maximum ratings(Ta=25°C)

SYMBOL	PARAMETER	CONDITIONS	VALUE	UNIT
V _{CBO}	Collector-base voltage	Open emitter	120	V
V _{CEO}	Collector-emitter voltage	Open base	120	V
V _{EBO}	Emitter-base voltage	Open collector	7	V
I _C	Collector current		10	A
P _C	Collector power dissipation	T _C =25°C	60	W
T _j	Junction temperature		150	°C
T _{stg}	Storage temperature		-65~150	°C

Silicon NPN Power Transistors

2SC2527

CHARACTERISTICS

T_j=25 °C unless otherwise specified

SYMBOL	PARAMETER	CONDITIONS	MIN	TYP.	MAX	UNIT
V _{(BR)CEO}	Collector-emitter breakdown voltage	I _C =1mA ; R _{BE} =∞	120			V
V _{(BR)CBO}	Collector-base breakdown voltage	I _C =50μA ; I _E =0	120			V
V _{(BR)EBO}	Emitter-base breakdown voltage	I _E =50μA ; I _C =0	7			V
V _{CEsat}	Collector-emitter saturation voltage	I _C =5A; I _B =0.5A			1.8	V
V _{BE}	Base-emitter on voltage	I _C =5 A ; V _{CE} =5V			1.7	V
I _{CBO}	Collector cut-off current	V _{CB} =120V ; I _E =0			50	μA
I _{CEO}	Collector cut-off current	V _{CE} =120V; I _B =0			1	mA
I _{EBO}	Emitter cut-off current	V _{EB} =7V ; I _C =0			50	μA
h _{FE-1}	DC current gain	I _C =1 A ; V _{CE} =5V	60		200	
h _{FE-2}	DC current gain	I _C =5 A ; V _{CE} =5V	40			
f _T	Transition frequency	I _C =1 A ; V _{CE} =10V		80		MHz
C _{OB}	Output capacitance	I _E =0 ; V _{CB} =10V; f=1MHz		180		pF

Switching times

t _r	Rise time	I _C =7.5 A; R _L =4Ω I _{B1} =-I _{B2} =0.75A		0.3		μs
t _s	Storage time			1.3		μs
t _f	Fall time			0.2		μs

Silicon NPN Power Transistors

2SC2527

PACKAGE OUTLINE

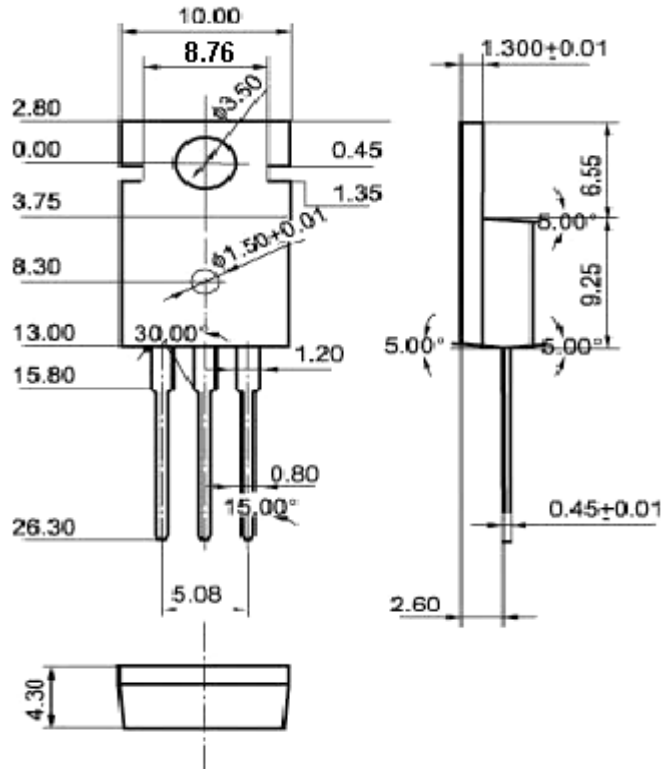


Fig.2 Outline dimensions (unindicated tolerance: ± 0.10 mm)