



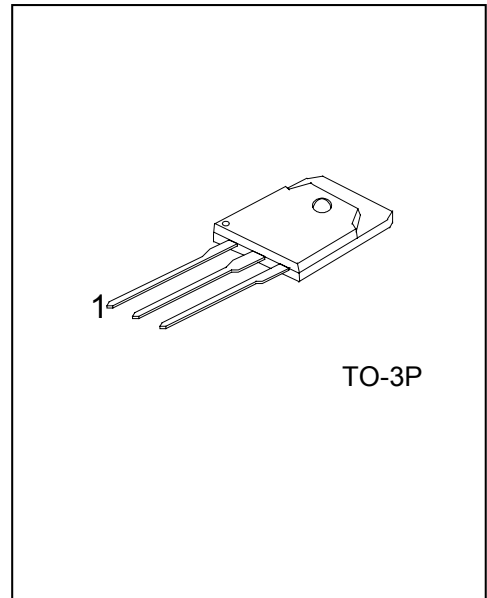
2SC2625

NPN EPITAXIAL SILICON TRANSISTOR

HIGH VOLTAGE HIGH
SPEED SWITCHING

■ FEATURES

- * High voltage, high speed switching
- * High reliability



*Pb-free plating product number: 2SC2625L

■ PIN INFORMATION

PIN NO.	PIN NAME
1	Base
2	Collector
3	Emitter

www.DataSheet4U.com

■ ORDERING INFORMATION

Order Number		Package	Packing
Normal	Lead free plating		
2SC2625-T3P-T	2SC2625L-T3P-T	TO-3P	Tube

■ ABSOLUTE MAXIMUM RATINGS (T_C=25)

PARAMETER	SYMBOL	RATINGS	UNIT
Collector Base Voltage	V _{CBO}	450	V
Collector Emitter Voltage	V _{CEO}	400	V
	V _{CEO(SUS)}	400	V
Emitter Base Voltage	V _{EBO}	7	V
Collector Current	I _C	10	A
Base Current	I _B	3	A
Power Dissipation	P _D	80	W
Junction Temperature	T _J	+150	
Storage Temperature	T _{STG}	-40 ~ +150	

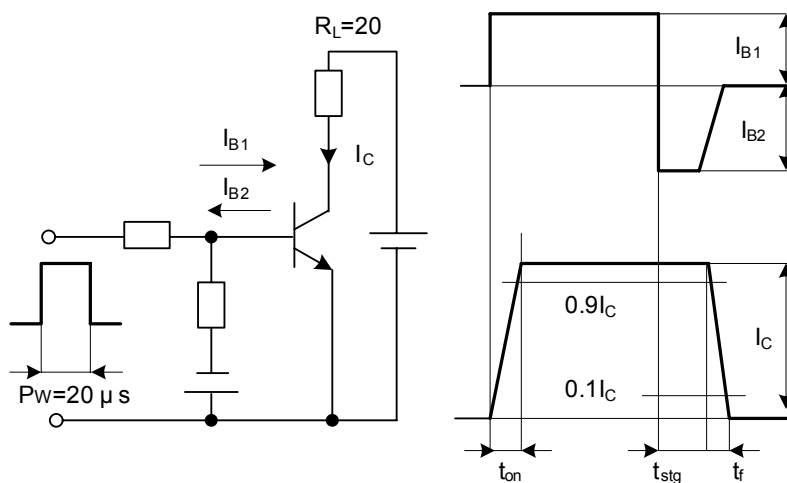
■ ELECTRICAL SPECIFICATIONS (T_C=25 , Unless Otherwise Specified)

PARAMETER	SYMBOL	TEST CONDITIONS	MIN	TYP	MAX	UNIT
Collector Base Voltage	V _{CBO}	I _{CBO} =1mA	450			V
Collector Emitter Voltage	V _{CEO}	I _{CEO} =10mA	400			V
	V _{CEO(SUS)}	I _C =1A	400			V
Emitter Base Voltage	V _{EBO}	I _{EBO} =0.1mA	7			V
Collector-Emitter Saturation Voltage	V _{CE(Sat)}	I _C =4A, I _B =0.8A			1.2	V
Base Emitter Saturation Voltage	V _{BE(Sat)}				1.5	V
Collector Cut-off Current	I _{CBO}	V _{CBO} =450V			1.0	mA
Emitter Cut-off Current	I _{EBO}	V _{EBO} =7V			0.1	mA
DC Current Gain	h _{FE}	I _C =4A, V _{CE} =5V	10			
Switching Time	t _{ON}	I _C =7.5A, I _{B1} =-I _{B2} =1.5A R _L =20Ω, P _w =20μs, Duty ≤ 2%			1.0	μs
	t _{STG}				2.0	μs
	t _F				1.0	μs

■ THERMAL CHARACTERISTICS

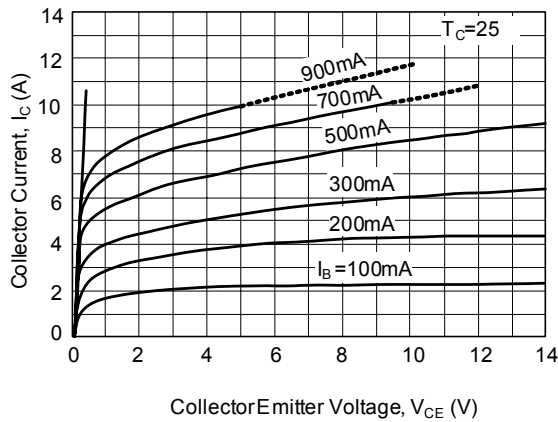
PARAMETER	SYMBOL	RATINGS	UNIT
Thermal Resistance Junction to Case	JC	1.55	/W

■ SWITCHING TIME TEST CIRCUIT

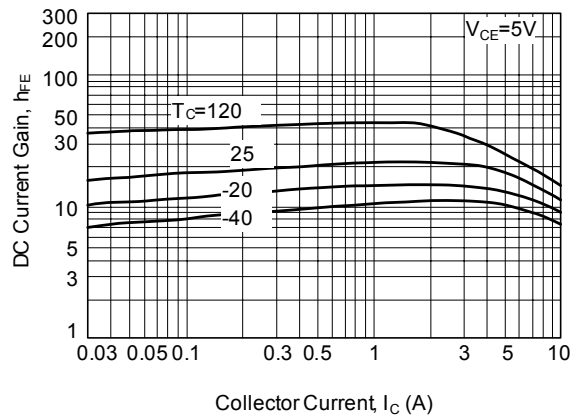


TYPICAL CHARACTERISTICS

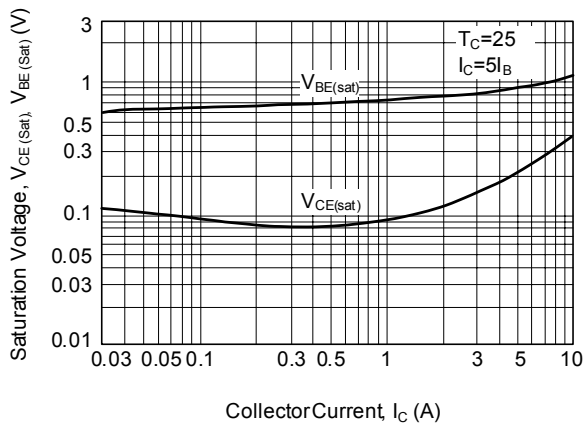
Collector Output Characteristics



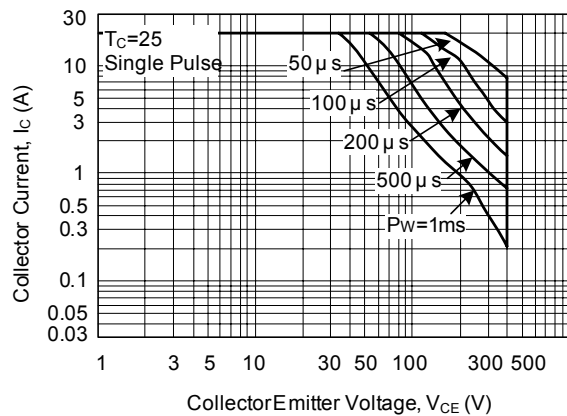
DC Current Gain



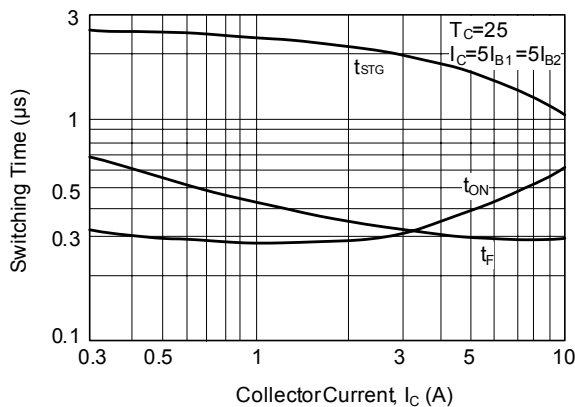
Base and Collector Saturation Voltage



Safe Operating Area



Switching Time



UTC assumes no responsibility for equipment failures that result from using products at values that exceed, even momentarily, rated values (such as maximum ratings, operating condition ranges, or other parameters) listed in products specifications of any and all UTC products described or contained herein. UTC products are not designed for use in life support appliances, devices or systems where malfunction of these products can be reasonably expected to result in personal injury. Reproduction in whole or in part is prohibited without the prior written consent of the copyright owner. The information presented in this document does not form part of any quotation or contract, is believed to be accurate and reliable and may be changed without notice.