

TOSHIBA TRANSISTOR SILICON NPN EPITAXIAL PLANAR TYPE

2SC2782

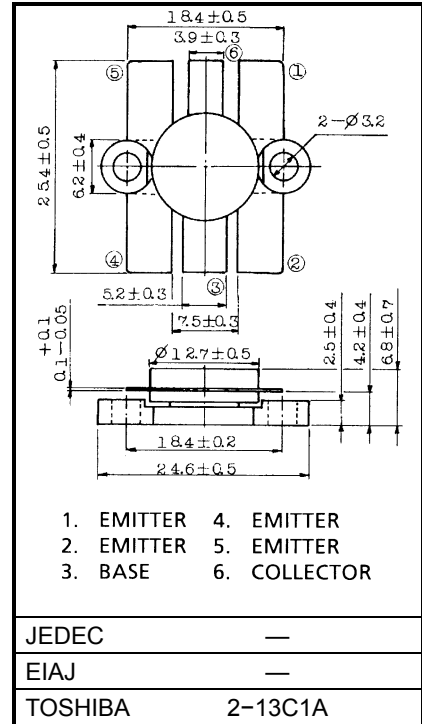
VHF BAND POWER AMPLIFIER APPLICATIONS

Unit in mm

- Output Power : $P_o = 80W$ (Min.)
($f = 175MHz, V_{CC} = 12.5V, P_i = 18W$)

MAXIMUM RATINGS ($T_c = 25^\circ C$)

CHARACTERISTIC	SYMBOL	RATING	UNIT
Collector-Base Voltage	V_{CBO}	36	V
Collector-Emitter Voltage	V_{CEO}	16	V
Emitter-Base Voltage	V_{EBO}	4	V
Collector Current	I_C	20	A
Collector Power Dissipation	P_C	220	W
Junction Temperature	T_j	175	$^\circ C$
Storage Temperature Range	T_{stg}	-65~175	$^\circ C$



Weight: 5.5g

000707EAA1

- TOSHIBA is continually working to improve the quality and reliability of its products. Nevertheless, semiconductor devices in general can malfunction or fail due to their inherent electrical sensitivity and vulnerability to physical stress. It is the responsibility of the buyer, when utilizing TOSHIBA products, to comply with the standards of safety in making a safe design for the entire system, and to avoid situations in which a malfunction or failure of such TOSHIBA products could cause loss of human life, bodily injury or damage to property. In developing your designs, please ensure that TOSHIBA products are used within specified operating ranges as set forth in the most recent TOSHIBA products specifications. Also, please keep in mind the precautions and conditions set forth in the "Handling Guide for Semiconductor Devices," or "TOSHIBA Semiconductor Reliability Handbook" etc..
- The TOSHIBA products listed in this document are intended for usage in general electronics applications (computer, personal equipment, office equipment, measuring equipment, industrial robotics, domestic appliances, etc.). These TOSHIBA products are neither intended nor warranted for usage in equipment that requires extraordinarily high quality and/or reliability or a malfunction or failure of which may cause loss of human life or bodily injury ("Unintended Usage"). Unintended Usage include atomic energy control instruments, airplane or spaceship instruments, transportation instruments, traffic signal instruments, combustion control instruments, medical instruments, all types of safety devices, etc.. Unintended Usage of TOSHIBA products listed in this document shall be made at the customer's own risk.
- The information contained herein is presented only as a guide for the applications of our products. No responsibility is assumed by TOSHIBA CORPORATION for any infringements of intellectual property or other rights of the third parties which may result from its use. No license is granted by implication or otherwise under any intellectual property or other rights of TOSHIBA CORPORATION or others.
- The information contained herein is subject to change without notice.

ELECTRICAL CHARACTERISTICS (T_c = 25°C)

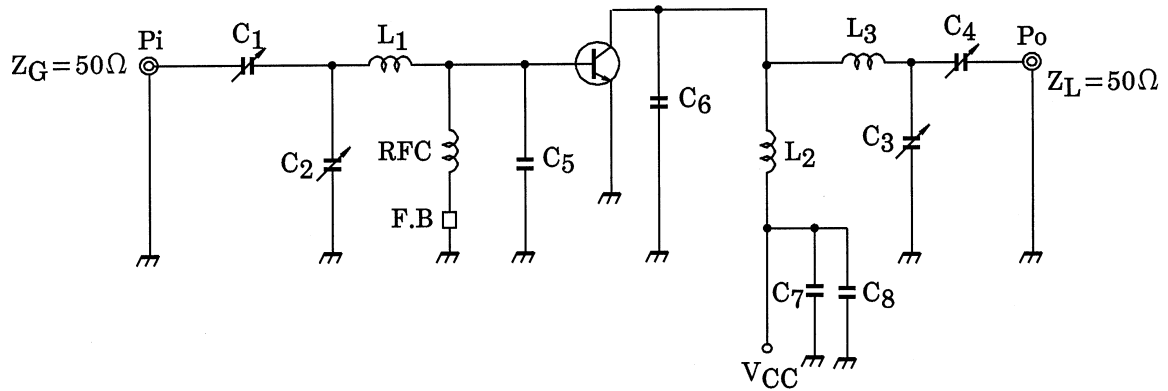
CHARACTERISTIC	SYMBOL	TEST CONDITION	MIN.	TYP.	MAX.	UNIT
Collector-Base Breakdown Voltage	V _{(BR) CBO}	I _C = 20mA, I _E = 0	36	—	—	V
Collector-Emitter Breakdown Voltage	V _{(BR) CEO}	I _C = 50mA, I _B = 0	16	—	—	V
Emitter-Base Breakdown Voltage	V _{(BR) EBO}	I _E = 1mA, I _C = 0	4	—	—	V
DC Current Gain	h _{FE}	V _{CE} = 5V, I _C = 10A *	10	—	—	
Collector Output Capacitance	C _{ob}	V _{CB} = 12.5V, I _E = 0 f = 1MHz	—	—	320	pF
Output Power	P _o	(Fig.) V _{CC} = 12.5V, f = 175MHz P _i = 18W	80	90	—	W
Power Gain	G _p		6.4	6.8	—	dB
Collector Efficiency	η _C		60	70	—	%
Series Equivalent Input Impedance	Z _{in}	V _{CC} = 12.5V f = 175MHz, P _o = 80W	—	1.0 +j1.5	—	Ω
Series Equivalent Output Impedance	Z _{out}		—	1.2 +j1.8	—	Ω

* Pulse Test: Pulse Width ≤ 100μs, Duty Cycle ≤ 3%

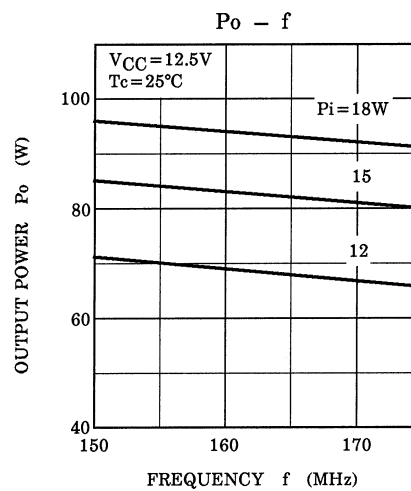
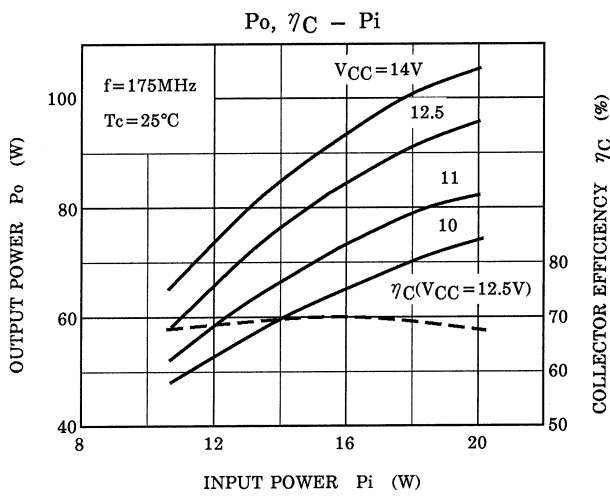
CAUTION

Beryllia Ceramics is used in this product. The dust or vapor can be dangerous to humans. Do not break, cut, crush or dissolve chemically. Dispose of this product properly according to law. Do not intermingle with normal industrial or domestic waste.

Fig. Po TEST CIRCUIT



- C1~C4 : ~20pF
- C5 : 156pF (39pF×4) CERAMIC CONDENSER
- C6 : 132pF (33pF×4) CERAMIC CONDENSER
- C7 : 0.01μF CERAMIC CONDENSER
- C8 : 10μF
- L1, L3 : φ1.5mm SILVER PLATED COPPER WIRE, 10ID, 1T
- L2 : φ1.5mm SILVER PLATED COPPER WIRE, 10ID, 2T
- RFC : φ1mm ENAMEL COATED COPPER WIRE, 6ID, 10T
- FB : FERRITE BEAD



CAUTION

These are only typical curves and devices are not necessarily guaranteed at these curves.