

Silicon NPN Power Transistors

2SC3038

DESCRIPTION

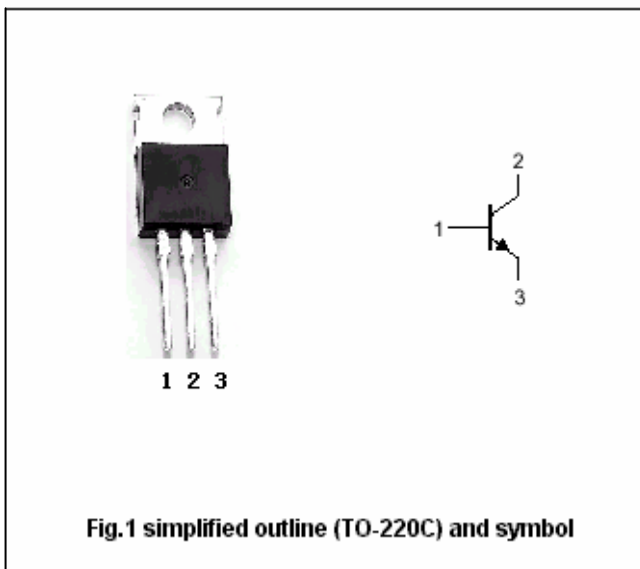
- With TO-220C package
- High breakdown voltage
: $V_{CBO}=500V(\text{Min})$
- Wide area of safe operation
- Fast switching speed

APPLICATIONS

- 400V/4A switching regulator applications

PINNING

PIN	DESCRIPTION
1	Base
2	Collector;connected to mounting base
3	Emitter



Absolute maximum ratings($T_a=25^\circ\text{C}$)

SYMBOL	PARAMETER	CONDITIONS	VALUE	UNIT
V_{CBO}	Collector-base voltage	Open emitter	500	V
V_{CEO}	Collector-emitter voltage	Open base	400	V
V_{EBO}	Emitter-base voltage	Open collector	7	V
I_C	Collector current		4	A
I_{CP}	Collector current-pulse	$PW \leq 300\mu s, \text{Duty cycle} \leq 10\%$	8	A
I_B	Base current		1.5	A
P_C	Collector power dissipation		1.75	W
		$T_C=25^\circ\text{C}$	40	
T_j	Junction temperature		150	$^\circ\text{C}$
T_{stg}	Storage temperature		-55~150	$^\circ\text{C}$

Silicon NPN Power Transistors

2SC3038

CHARACTERISTICS

T_j=25°C unless otherwise specified

SYMBOL	PARAMETER	CONDITIONS	MIN	TYP.	MAX	UNIT
V _{(BR)CEO}	Collector-emitter breakdown voltage	I _C =5mA ; R _{BE} =∞	400			V
V _{(BR)CBO}	Collector-base breakdown voltage	I _C =1mA ; I _E =0	500			V
V _{(BR)EBO}	Emitter-base breakdown voltage	I _E =1mA ; I _C =0	7			V
V _{CE(sat)}	Collector-emitter saturation voltage	I _C =2A ; I _B =0.4A			1.0	V
V _{BE(sat)}	Base-emitter saturation voltage	I _C =2A ; I _B =0.4A			1.5	V
I _{CBO}	Collector cut-off current	V _{CB} =400V ; I _E =0			10	μA
I _{EBO}	Emitter cut-off current	V _{EB} =5V ; I _C =0			10	μA
h _{FE-1}	DC current gain	I _C =0.4A ; V _{CE} =5V	15		50	
h _{FE-2}	DC current gain	I _C =2A ; V _{CE} =5V	8			
f _T	Transition frequency	I _C =0.4A ; V _{CE} =10V		20		MHz
C _{OB}	Output capacitance	f=1MHz ; V _{CB} =10V		40		pF

Switching times

t _{on}	Turn-on time	V _{CC} =200V ; I _C =3A I _{B1} =0.6A ; I _{B2} =-0.6A ; R _L =66.6Ω			1.0	μs
t _{stg}	Storage time				2.5	μs
t _f	Fall time				1.0	μs

◆ h_{FE-1} Classifications

L	M	N
15-30	20-40	30-50

Silicon NPN Power Transistors

2SC3038

PACKAGE OUTLINE

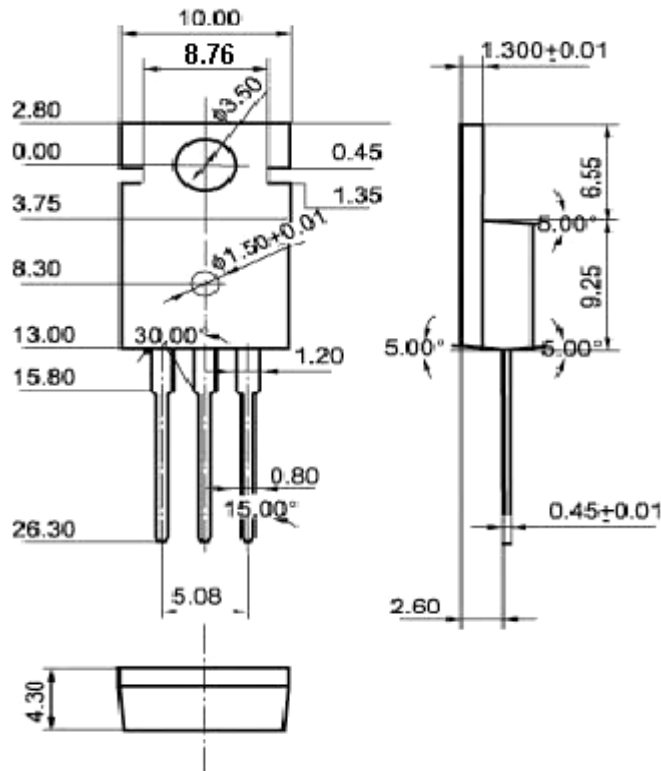


Fig.2 Outline dimensions (unindicated tolerance:±0.10 mm)